



# T&S BRASS AND BRONZE WORKS, INC.

2 Saddleback Cove / P.O. Box 1088  
Travelers Rest, SC 29690



REG. #A2601  
ISO #9001

Model No.

**B-0230-134XA-CR**

Item No.

Travelers Rest, SC: 800-476-4103 • Simi Valley, CA: 800-423-0150 • Fax: 864-834-3518 • www.tsbrass.com

This Space for Architect/Engineer Approval

Job Name \_\_\_\_\_ Date \_\_\_\_\_

Model Specified \_\_\_\_\_ Quantity \_\_\_\_\_

Customer/Wholesaler \_\_\_\_\_

Contractor \_\_\_\_\_

Architect/Engineer \_\_\_\_\_



**ADA Compliant**



Swivel  
Gooseneck w/  
2.2 GPM Aerator  
(Optional Swivel/Rigid  
Washer Included)

Mounting  
Surface

12 1/16"  
[306mm]

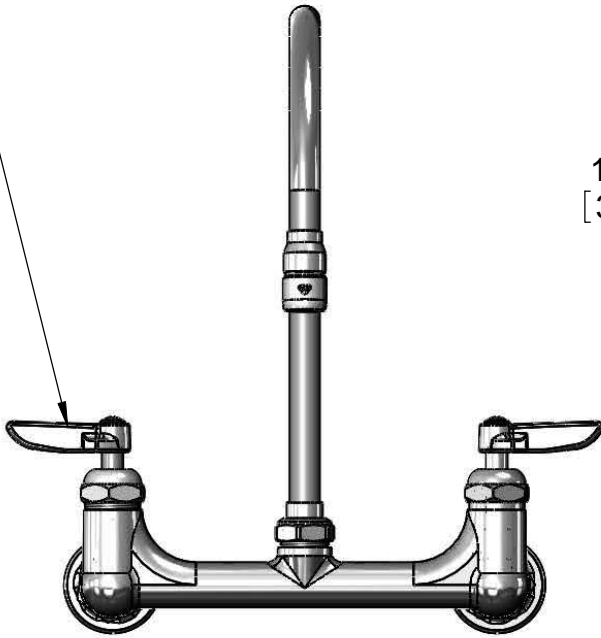
5 3/4"  
[145mm]

7 13/16"  
[198mm]

2 3/8"  
[61mm]

Ø 2 [51mm]  
Flanges w/  
1/2" NPT  
Female Inlets

Cerama Cartridges  
& Lever Handles w/  
Color Coded Indexes



8" c/c  
[203mm]

Adjustable from  
7 3/4" to 8 1/4"  
[197mm to 210mm]

**Note: Rough-In Requirements**  
(2) Ø 1" [25mm] Mounting Holes

Product Specifications:

8" Double Pantry Faucet, Cerama Cartridges, Lever Handles,  
7 3/4" Swing Nozzle w/ 2.2 GPM Aerator & 1/2" NPT Female Inlets

Drawn

DHL

Checked

JRM

Approved

JHB

Scale:

1:4

Date:

02/17/11



# T&S BRASS AND BRONZE WORKS, INC.

2 Saddleback Cove / P.O. Box 1088  
Travelers Rest, SC 29690



REG. #A2601  
ISO #9001

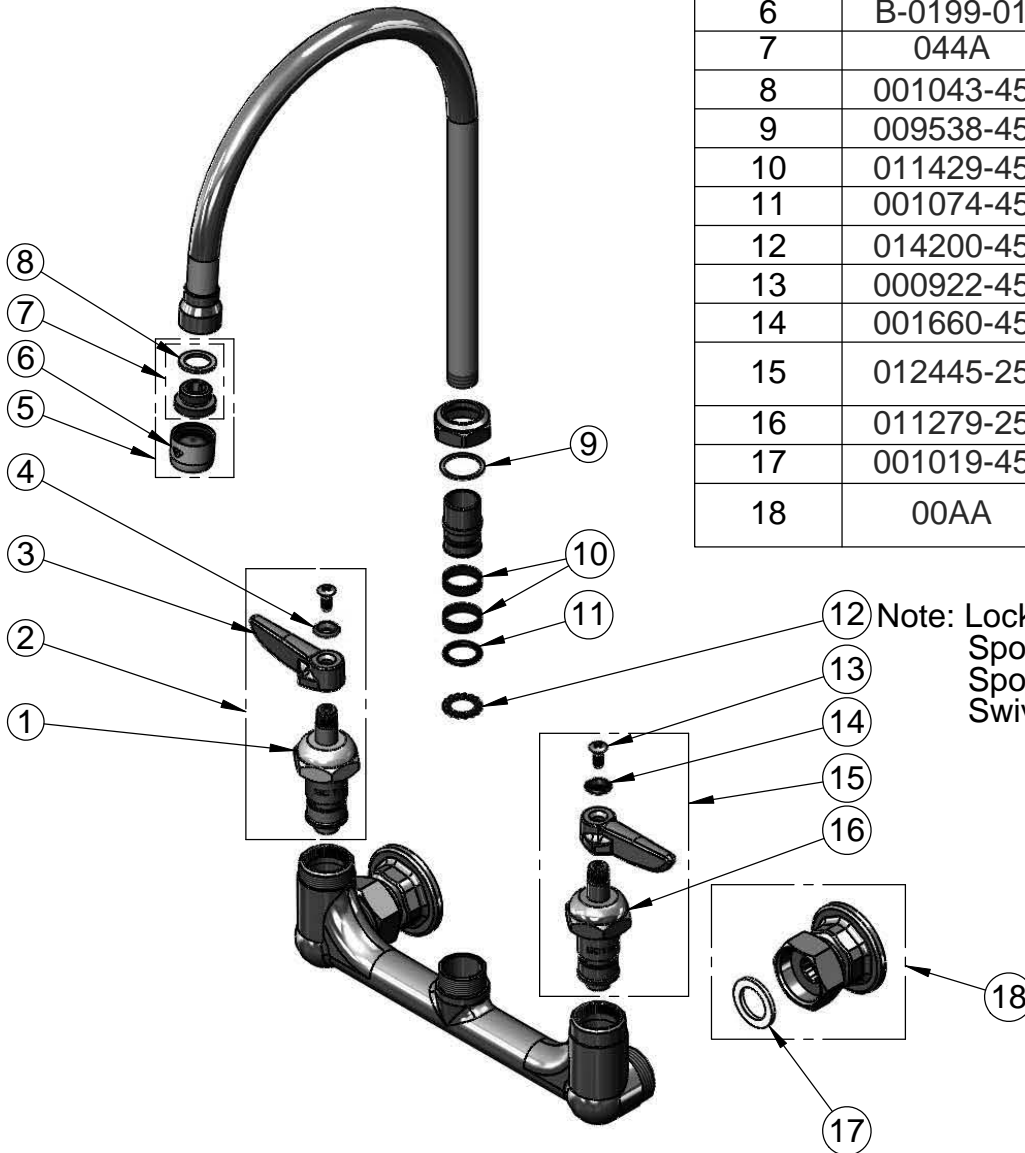
Model No.

**B-0230-134XA-CR**

Item No.

Travelers Rest, SC: 800-476-4103 • Simi Valley, CA: 800-423-0150 • Fax: 864-834-3518 • www.tsbrass.com

ITEM NO.	SALES NO.	DESCRIPTION
1	011278-25	Cerama Cartridge RTC
2	012444-25	Hot Cerama Cartridge w/ Handle, Index & Screw
3	001638-45	Lever Handle
4	001661-45	Red Index-HW
5	B-0199-02	2.2 GPM Aerator w/ Adapter
6	B-0199-01	2.2 GPM Aerator, Female
7	044A	3/8" to Aerator Adapter
8	001043-45	Washer
9	009538-45	Swivel Washer
10	011429-45	Swivel Sleeve
11	001074-45	O-Ring
12	014200-45	Star Washer, Anti-Rotation
13	000922-45	Lever Handle Screw
14	001660-45	Blue Index-CW
15	012445-25	Cold Cerama Cartridge w/ Handle, Index & Screw
16	011279-25	Cerama Cartridge LTC
17	001019-45	Coupling Nut Washer
18	00AA	Flange Assembly



Note: Lock Washer Converts Swivel Spout to Rigid. To install, Uninstall Spout, Lift out & Place Washer into Swivel Body then Re-Install Spout

Product Specifications:  
8" Double Pantry Faucet, Cerama Cartridges, Lever Handles,  
7 3/4" Swing Nozzle w/ 2.2 GPM Aerator & 1/2" NPT Female Inlets

Drawn <b>DHL</b>	Checked <b>JRM</b>	Approved <b>JHB</b>
Scale: <b>NTS</b>		Date: <b>02/17/11</b>