

# T&S BRASS AND BRONZE WORKS, INC.

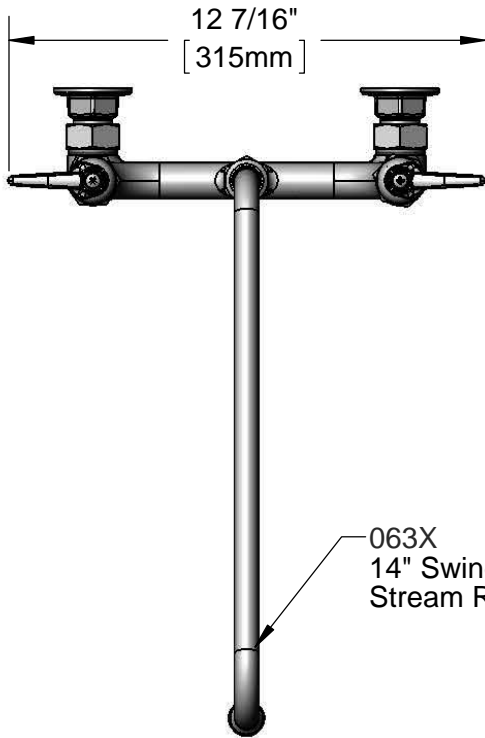
2 Saddleback Cove / P.O. Box 1088  
Travelers Rest, SC 29690

Model No.

**B-0230-14-CR-SC**

Item No.

Travelers Rest, SC: 800-476-4103 • Simi Valley, CA: 800-423-0150 • Fax: 864-834-3518 • www.tsbrass.com



**ADA Compliant**

This Space for Architect/Engineer Approval

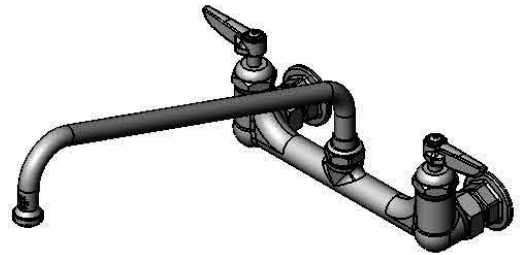
Job Name \_\_\_\_\_ Date \_\_\_\_\_

Model Specified \_\_\_\_\_ Quantity \_\_\_\_\_

Customer/Wholesaler \_\_\_\_\_

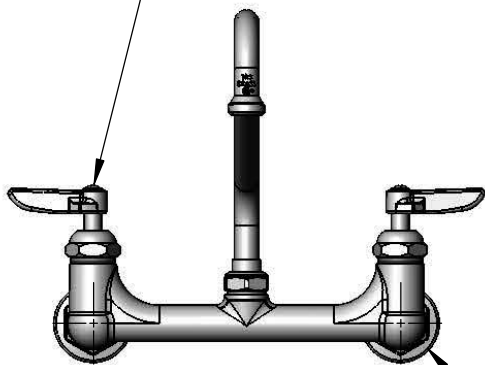
Contractor \_\_\_\_\_

Architect/Engineer \_\_\_\_\_



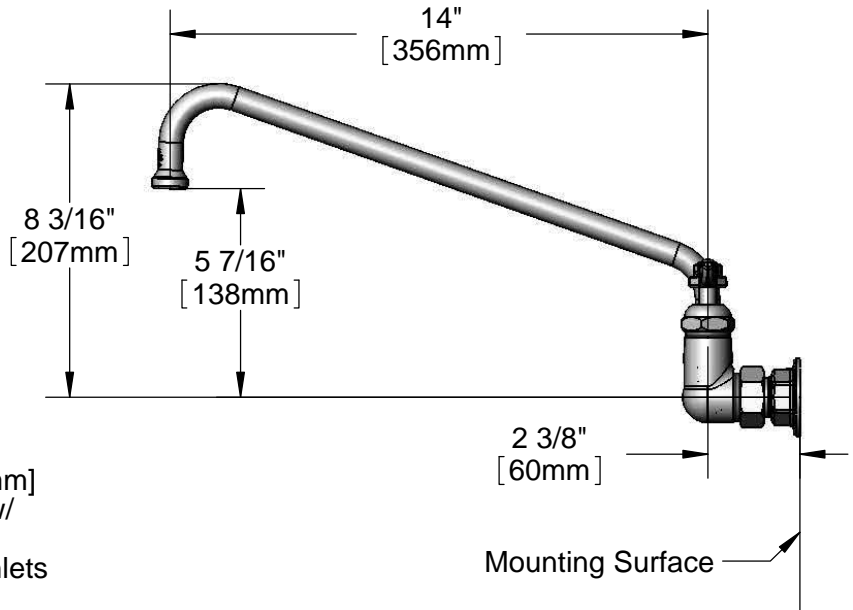
063X  
14" Swing Nozzle w/  
Stream Regulator Outlet

Quarter-Turn  
Cerama Cartridges &  
Lever Handles w/  
Color Coded Indexes



8"  
[203mm]  
Adjustable From  
7 3/4" to 8 1/4"  
[197mm to 210mm]

Ø 2" [51mm]  
Flanges w/  
1/2" NPT  
Female Inlets



### Product Specifications:

8" Wall Mount Mixing Faucet, 14" Swing Nozzle w/ Stream Regulator Outlet, Quarter-Turn Cerama Cartridges w/ Check Valves, Lever Handles & 1/2" NPT Female Inlet Flanges

### Product Compliance:

ASME A112.18.1 / CSA B125.1  
NSF 61 - Section 9  
NSF 372 (Low Lead Content)  
ANSI A117.1 (ADA)



# T&S BRASS AND BRONZE WORKS, INC.

2 Saddleback Cove / P.O. Box 1088  
Travelers Rest, SC 29690

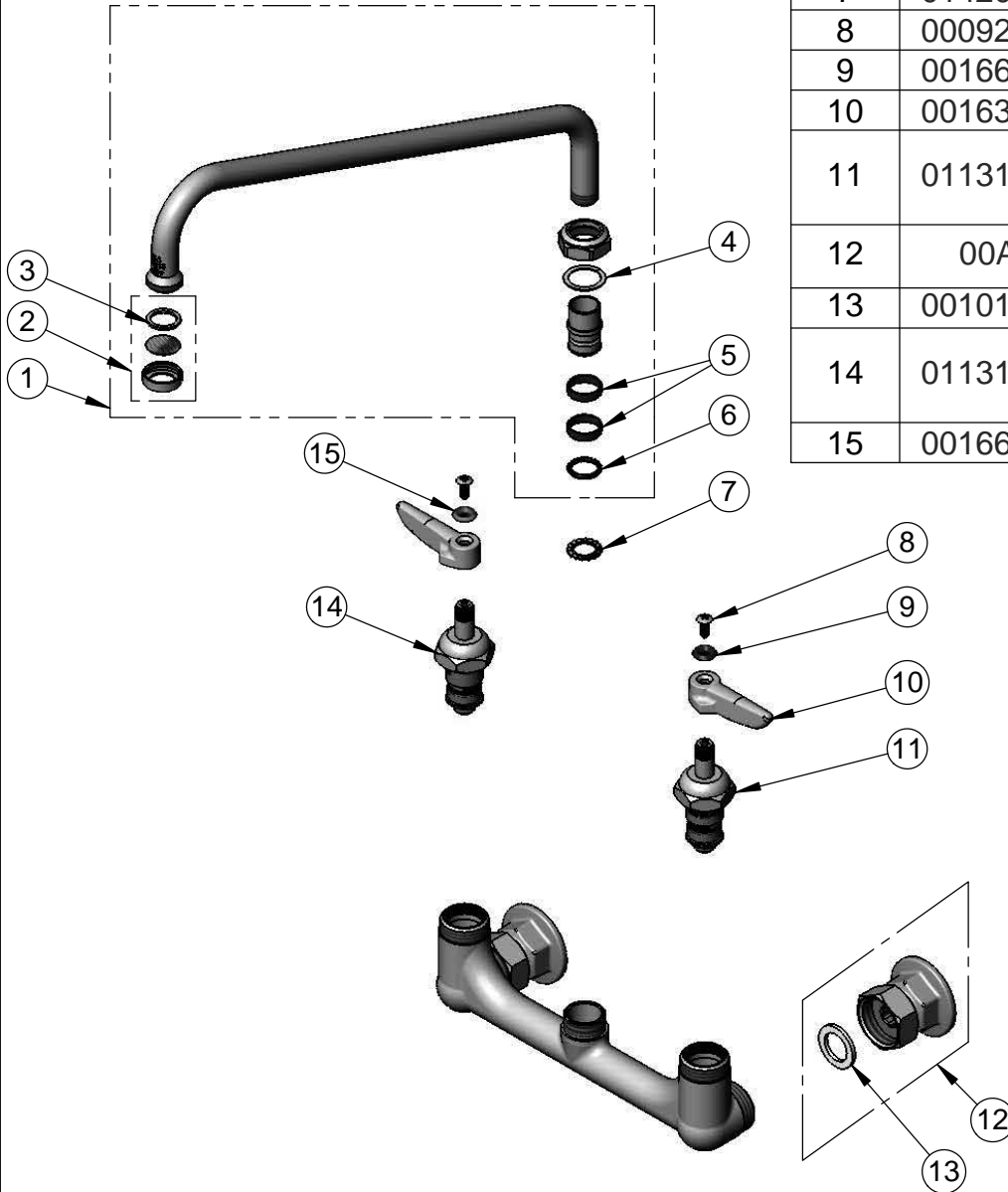
Model No.

**B-0230-14-CR-SC**

Item No.

Travelers Rest, SC: 800-476-4103 • Simi Valley, CA: 800-423-0150 • Fax: 864-834-3518 • www.tsbrass.com

ITEM NO.	SALES NO.	DESCRIPTION
1	063X	14" Swing Nozzle w/ Stream Regulator Outlet
2	B-PT	Stream Regulator Outlet
3	001048-45	Nozzle Tip Washer
4	009538-45	Swivel Washer
5	011429-45	Swivel Sleeves (2)
6	001074-45	O-Ring
7	014200-45	Star Washer, Anti-Rotation
8	000922-45	Lever Handle Screw
9	001660-45	Blue Index-CW
10	001638-45	Lever Handle
11	011312-25	Quarter-Turn Cerama Cartridge, LTC w/ Check Valve
12	00AA	1/2" NPT Female Eccentric Inlet Flange
13	001019-45	Coupling Nut Washer
14	011311-25	Quarter-Turn Cerama Cartridge, RTC w/ Check Valve
15	001661-45	Red Index-HW



**Product Specifications:**

8" Wall Mount Mixing Faucet, 14" Swing Nozzle w/ Stream Regulator Outlet, Quarter-Turn Cerama Cartridges w/ Check Valves, Lever Handles & 1/2" NPT Female Inlet Flanges

**Product Compliance:**

ASME A112.18.1 / CSA B125.1  
NSF 61 - Section 9  
NSF 372 (Low Lead Content)  
ANSI A117.1 (ADA)