



T&S BRASS AND BRONZE WORKS, INC.

2 Saddleback Cove / P.O. Box 1088
Travelers Rest, SC 29690

Model No.

B-0230-24DJ-CR

Item No.

Travelers Rest, SC: 800-476-4103 • Simi Valley, CA: 800-423-0150 • Fax: 864-834-3518 • www.tsbrass.com



ADA Compliant

This Space for Architect/Engineer Approval

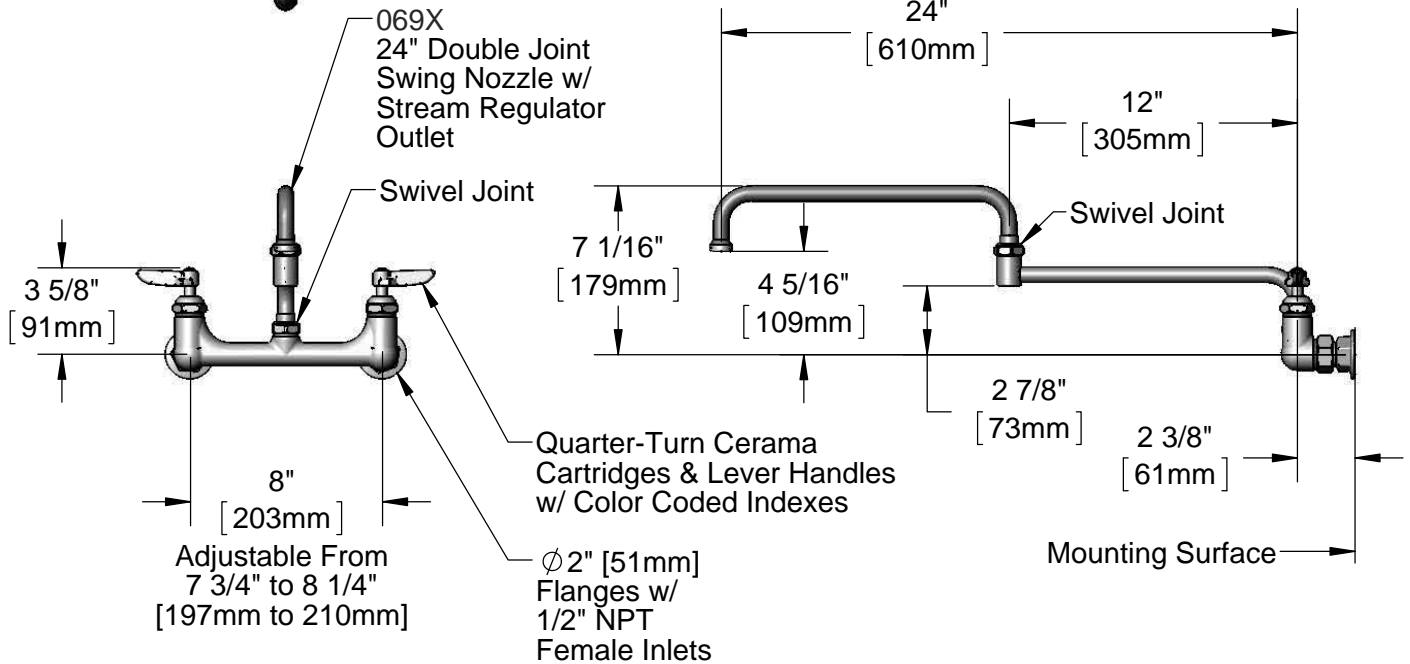
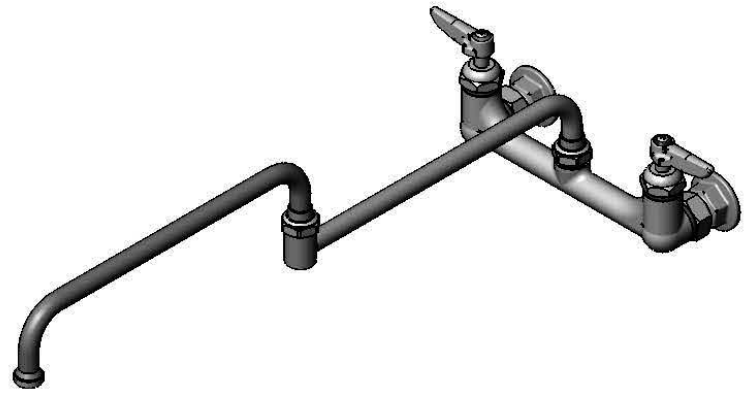
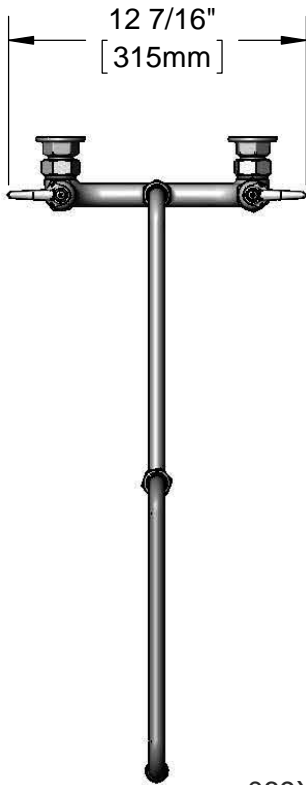
Job Name _____ Date _____

Model Specified _____ Quantity _____

Customer/Wholesaler _____

Contractor _____

Architect/Engineer _____



Product Specifications:

8" Wall Mount Mixing Faucet, Quarter-Turn Cerama Cartridges, Lever Handles, 24" Double Joint Swing Nozzle & 1/2" NPT Female Inlets

Product Compliance:

ASME A112.18.1 / CSA B125.1
NSF 61 - Section 9
NSF 372 (Low Lead Content)
ANSI A117.1 (ADA)



T&S BRASS AND BRONZE WORKS, INC.

2 Saddleback Cove / P.O. Box 1088
Travelers Rest, SC 29690

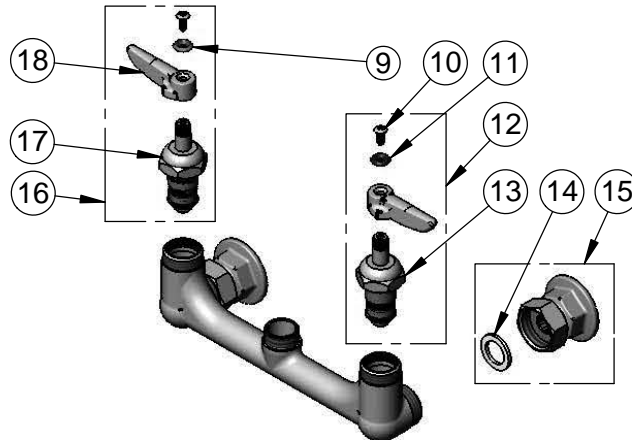
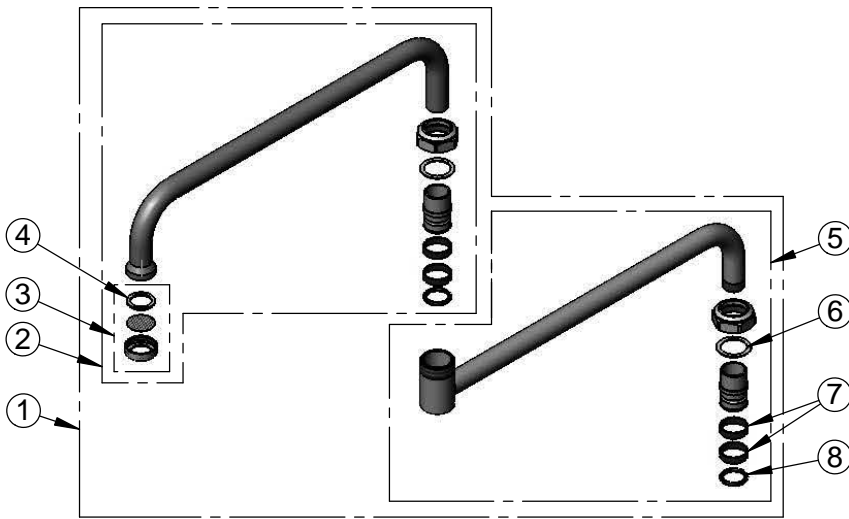
Model No.

B-0230-24DJ-CR

Item No.

Travelers Rest, SC: 800-476-4103 • Simi Valley, CA: 800-423-0150 • Fax: 864-834-3518 • www.tsbrass.com

ITEM NO.	SALES NO.	DESCRIPTION
1	069X	24" Double Joint Swing Nozzle
2	006186-40	12" Front Section
3	B-PT	Stream Regulator Outlet
4	001048-45	Nozzle Tip Washer
5	002871-40	12" Back Section
6	009538-45	Swivel Washer
7	011429-45	Swivel Sleeves (2)
8	001074-45	O-Ring
9	001661-45	Red Index-HW
10	000922-45	Lever Handle Screw
11	001660-45	Blue Index-CW
12	012445-25	Quarter-Turn Cerama Cartridge, LTC w/ Handle, Index & Screw
13	011279-25	Quarter-Turn Cerama Cartridge, LTC
14	001019-45	Coupling Nut Washer
15	00AA	1/2" NPT Female Eccentric Flange
16	012444-25	Quarter-Turn Cerama Cartridge, RTC w/ Handle, Index & Screw
17	011278-25	Quarter-Turn Cerama Cartridge, RTC
18	001638-45	Lever Handle



Product Specifications:

8" Wall Mount Mixing Faucet, Quarter-Turn Cerama Cartridges, Lever Handles, 24" Double Joint Swing Nozzle & 1/2" NPT Female Inlets

Product Compliance:

ASME A112.18.1 / CSA B125.1
NSF 61 - Section 9
NSF 372 (Low Lead Content)
ANSI A117.1 (ADA)