



T&S BRASS AND BRONZE WORKS, INC.

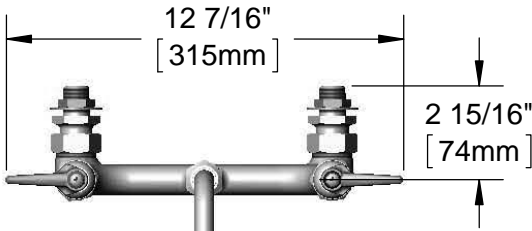
2 Saddleback Cove / P.O. Box 1088
Travelers Rest, SC 29690

Model No.

B-0230-CC-CR

Item No.

Travelers Rest, SC: 800-476-4103 • Simi Valley, CA: 800-423-0150 • Fax: 864-834-3518 • www.tsbrass.com



This Space for Architect/Engineer Approval

Job Name _____ Date _____

Model Specified _____ Quantity _____

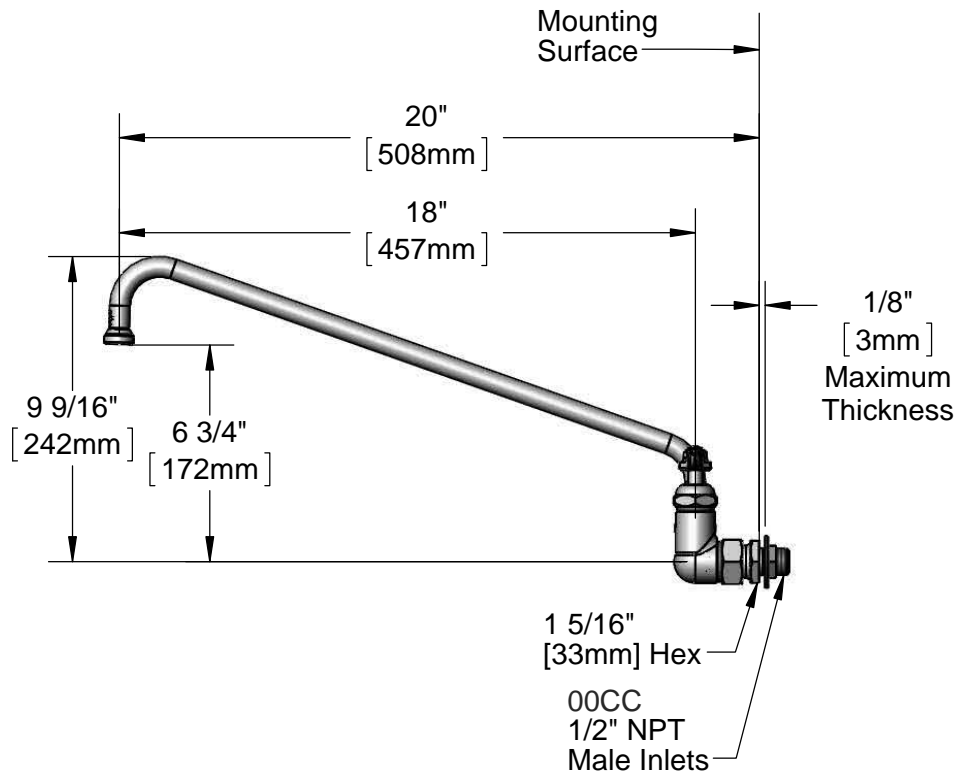
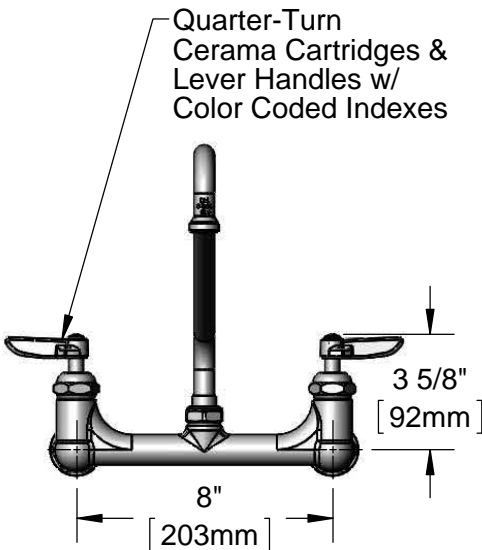
Customer/Wholesaler _____

Contractor _____

Architect/Engineer _____



065X
18" Swing Nozzle w/
Stream Regulator Outlet



Rough-In Requirement:
(2) \varnothing 1" [25mm] Mounting Holes

Product Specifications:
8" Wall Mount Mixing Faucet, Cerama Cartridges, Lever Handles, 18"
Swing Nozzle w/ Stream Regulator Outlet & 1/2" NPT Male Inlets

Product Compliance:
ASME A112.18.1 / CSA B125.1
NSF 61 - Section 9
NSF 372 (Low Lead Content)
ANSI A117.1 (ADA)

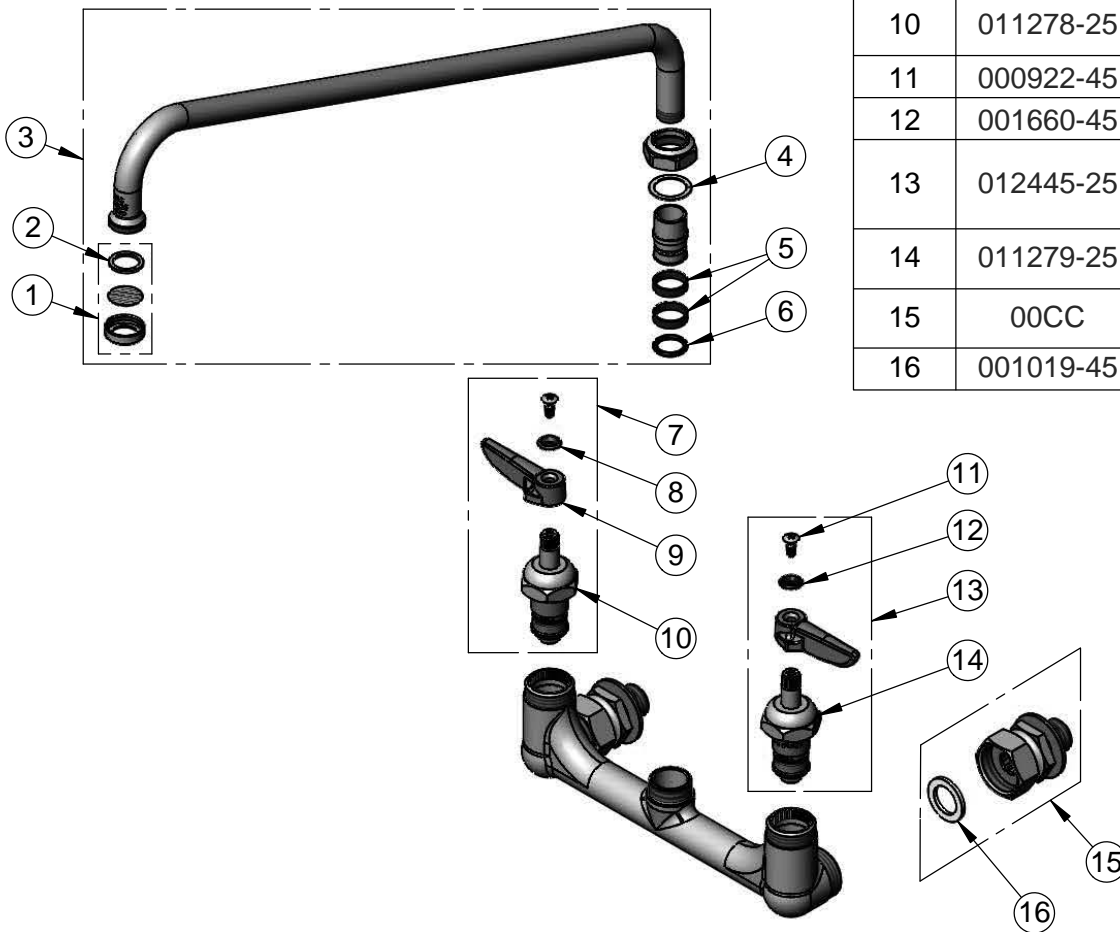


T&S BRASS AND BRONZE WORKS, INC.
 2 Saddleback Cove / P.O. Box 1088
 Travelers Rest, SC 29690

Model No.
B-0230-CC-CR
 Item No.

Travelers Rest, SC: 800-476-4103 • Simi Valley, CA: 800-423-0150 • Fax: 864-834-3518 • www.tsbrass.com

| ITEM NO. | SALES NO. | DESCRIPTION |
|----------|-----------|---|
| 1 | B-PT | Stream Regulator Outlet |
| 2 | 001048-45 | Nozzle Tip Washer |
| 3 | 065X | 18" Swing Nozzle |
| 4 | 009538-45 | Swivel Washer |
| 5 | 011429-45 | Swivel Sleeves (2) |
| 6 | 001074-45 | O-Ring |
| 7 | 012444-25 | Quarter-Turn Cerama Cartridge, RTC w/ Handle, Index & Screw |
| 8 | 001661-45 | Red Index-HW |
| 9 | 001638-45 | Lever Handle |
| 10 | 011278-25 | Quarter-Turn Cerama Cartridge, RTC |
| 11 | 000922-45 | Lever Handle Screw |
| 12 | 001660-45 | Blue Index-CW |
| 13 | 012445-25 | Quarter-Turn Cerama Cartridge, LTC w/ Handle, Index & Screw |
| 14 | 011279-25 | Quarter-Turn Cerama Cartridge, LTC |
| 15 | 00CC | 1/2" NPT Male Inlet Flange |
| 16 | 001019-45 | Coupling Nut Washer |



Product Specifications:
 8" Wall Mount Mixing Faucet, Cerama Cartridges, Lever Handles, 18" Swing Nozzle w/ Stream Regulator Outlet & 1/2" NPT Male Inlets

Product Compliance:
 ASME A112.18.1 / CSA B125.1
 NSF 61 - Section 9
 NSF 372 (Low Lead Content)
 ANSI A117.1 (ADA)