



T&S BRASS AND BRONZE WORKS, INC.
 2 Saddleback Cove / P.O. Box 1088
 Travelers Rest, SC 29690

Model No.
B-0230-CR-LN

Item No.

Travelers Rest, SC: 800-476-4103 • Simi Valley, CA: 800-423-0150 • Fax: 864-834-3518 • www.tsbrass.com



ADA Compliant

This Space for Architect/Engineer Approval

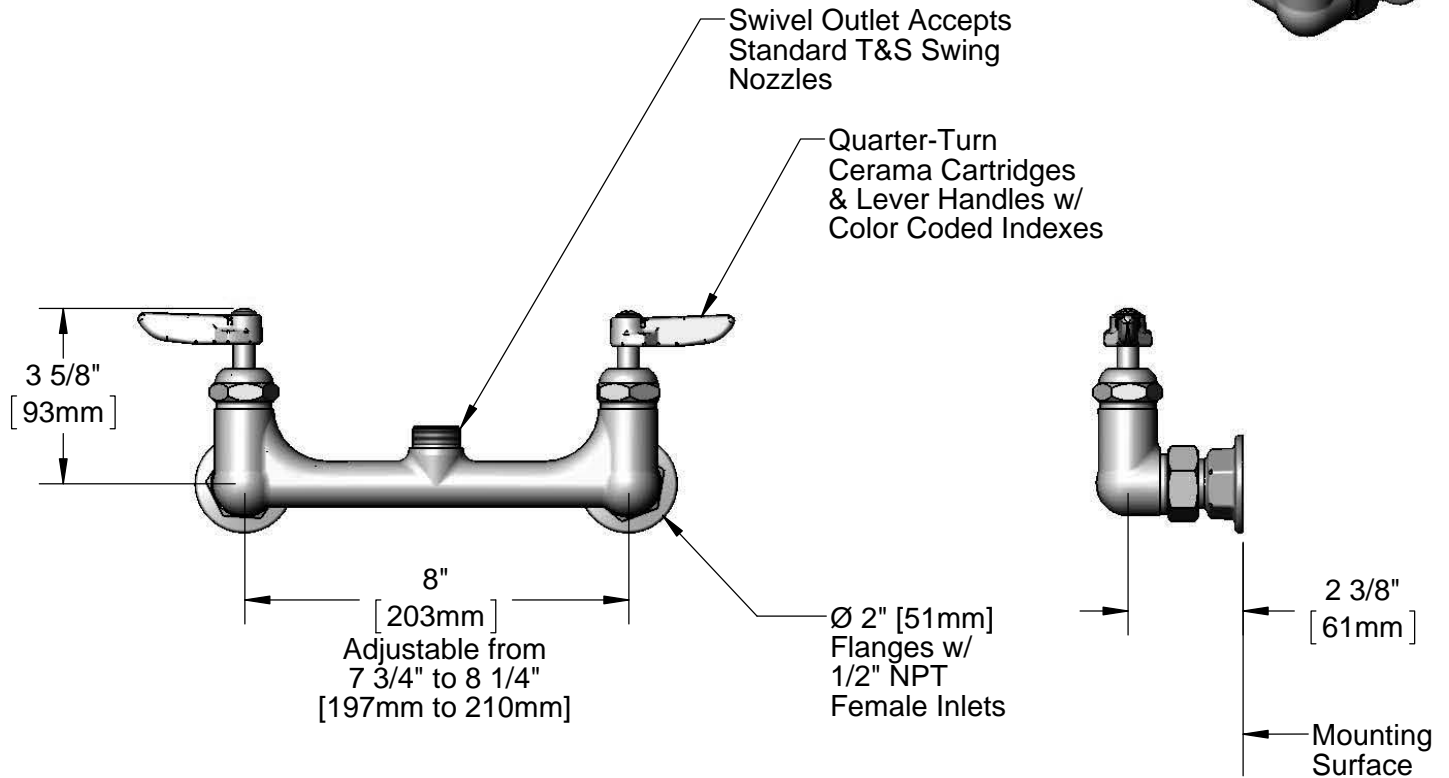
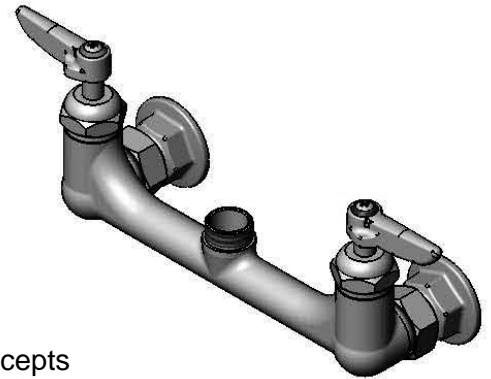
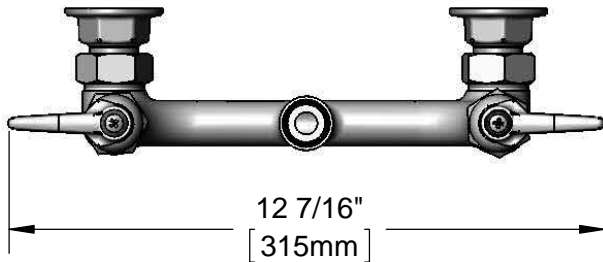
Job Name _____ Date _____

Model Specified _____ Quantity _____

Customer/Wholesaler _____

Contractor _____

Architect/Engineer _____



Product Specifications:
 8" Wall Mount Mixing Faucet, Quarter-Turn Cerama Cartridges, Lever Handles & 1/2" NPT Female Inlets, Less Nozzle

Product Compliance:
 ASME A112.18.1 / CSA B125.1
 NSF 61 - Section 9
 NSF 372 (Low Lead Content)
 ANSI A117.1 (ADA)



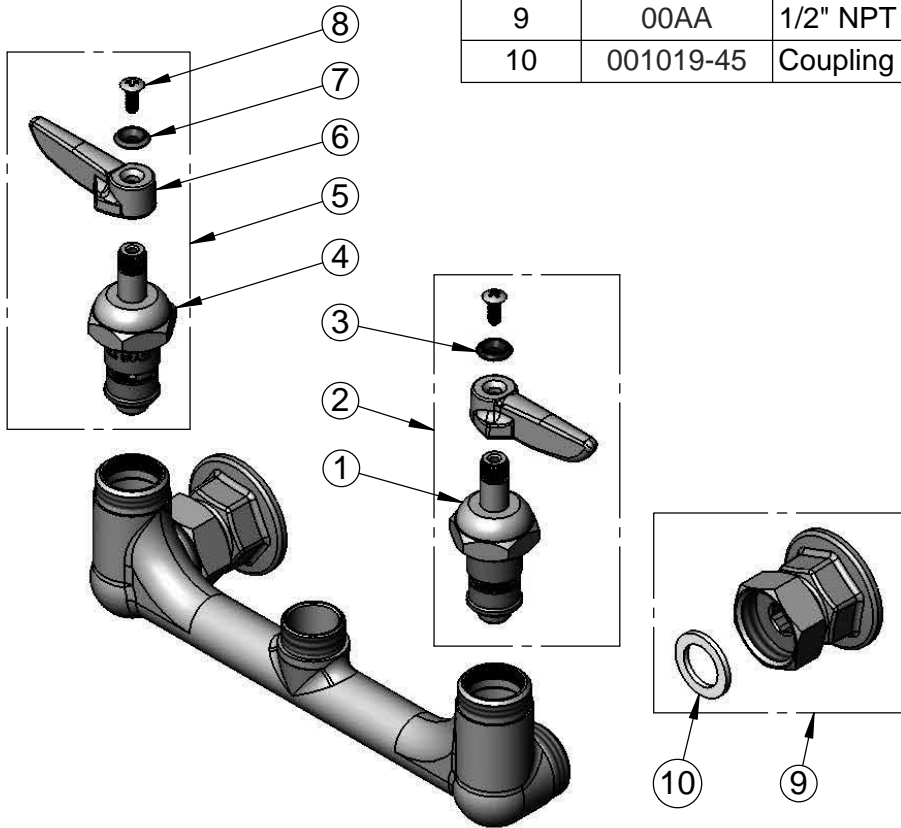
T&S BRASS AND BRONZE WORKS, INC.
 2 Saddleback Cove / P.O. Box 1088
 Travelers Rest, SC 29690

Model No.
B-0230-CR-LN

Item No.

Travelers Rest, SC: 800-476-4103 • Simi Valley, CA: 800-423-0150 • Fax: 864-834-3518 • www.tsbrass.com

ITEM NO.	SALES NO.	DESCRIPTION
1	011279-25	Quarter-Turn Cerama Cartridge, LTC
2	012445-25	Quarter-Turn Cerama Cartridge, LTC w/ Handle, Index & Screw
3	001660-45	Blue Index-CW
4	011278-25	Quarter-Turn Cerama Cartridge, RTC
5	012444-25	Quarter-Turn Cerama Cartridge, RTC w/ Handle, Index & Screw
6	001638-45	Lever Handle
7	001661-45	Red Index-HW
8	000922-45	Lever Handle Screw
9	00AA	1/2" NPT Female Eccentric Flange
10	001019-45	Coupling Nut Washer



Product Specifications:

8" Wall Mount Mixing Faucet, Quarter-Turn Cerama Cartridges, Lever Handles & 1/2" NPT Female Inlets, Less Nozzle

Product Compliance:

ASME A112.18.1 / CSA B125.1
 NSF 61 - Section 9
 NSF 372 (Low Lead Content)
 ANSI A117.1 (ADA)