

**T&S BRASS AND BRONZE WORKS, INC.**  
 2 SADDLEBACK COVE / P.O. BOX 1088 / TRAVELERS REST, SC 29690  
 PHONE 800-476-4103 - FAX 864- 834-3518



Model No.

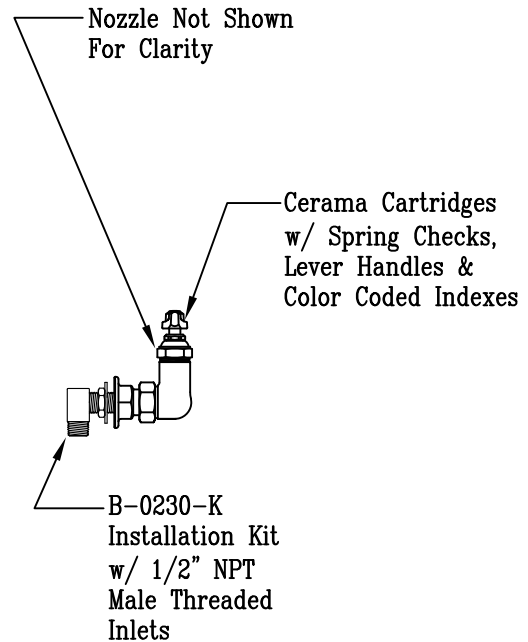
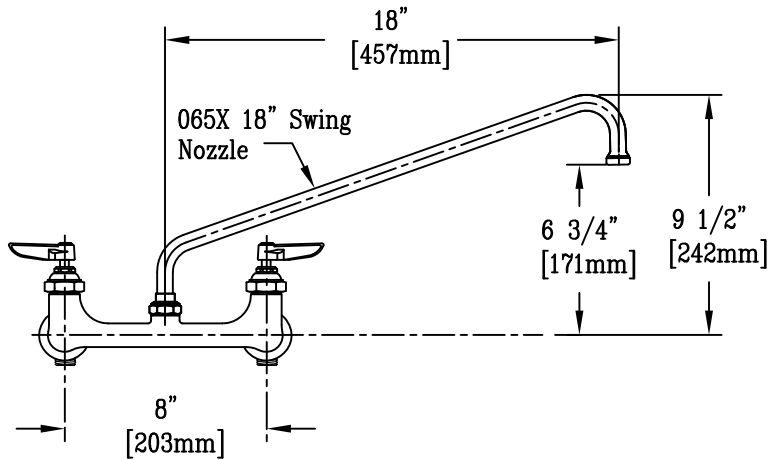
B-0230-CR-SC-EK

**RELIABILITY  
 BUILT IN**

Job Name:

Architect/Engineer Approval:

Notes:



Product Description:  
 8" c/c WALL MOUNT BASE FCT. WITH  
 CERAMAS w/ SPRING CHECKS, 18" SWING NOZZLE  
 & B-230-K

Drawn:

JRM

Checked

DMH

Scale:

1 : 8

Approved

JHB

Date:

12/20/10