



T&S BRASS AND BRONZE WORKS, INC.

2 Saddleback Cove / P.O. Box 1088
Travelers Rest, SC 29690

Model No.

B-0230-CR

Item No.

Travelers Rest, SC: 800-476-4103 • Simi Valley, CA: 800-423-0150 • Fax: 864-834-3518 • www.tsbrass.com



ADA Compliant

This Space for Architect/Engineer Approval

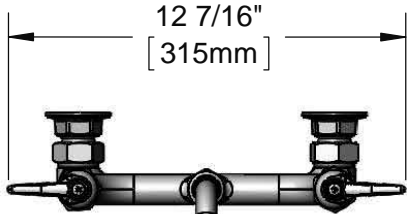
Job Name _____ Date _____

Model Specified _____ Quantity _____

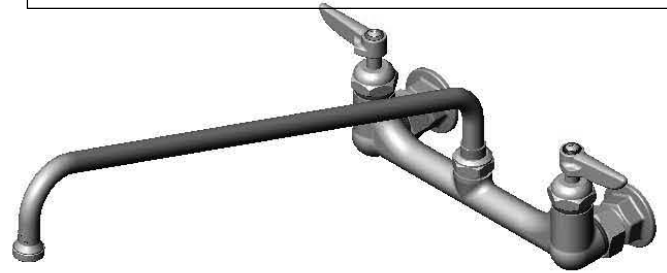
Customer/Wholesaler _____

Contractor _____

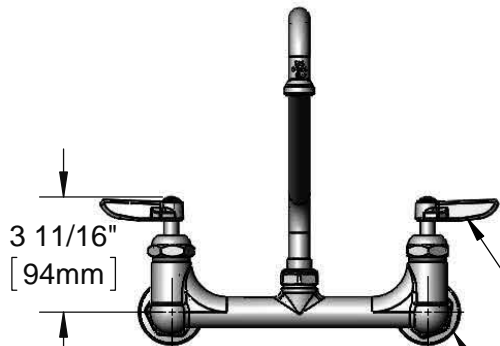
Architect/Engineer _____



12 7/16"
[315mm]



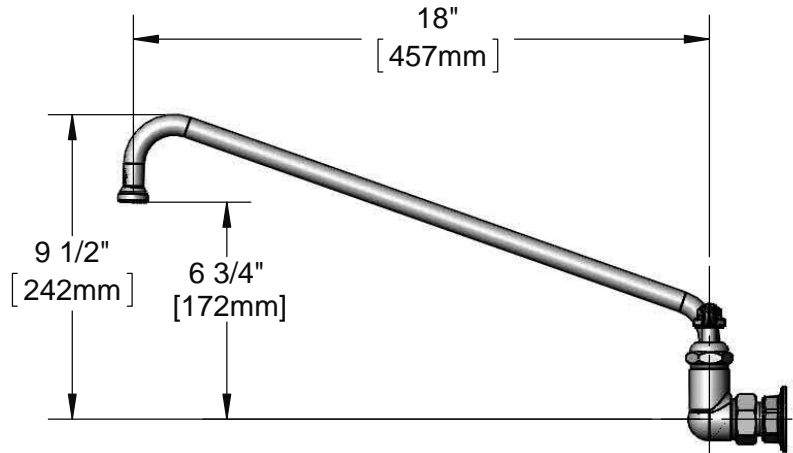
065X
18" Swing Nozzle w/
Stream Regulator
Outlet



3 11/16"
[94mm]

8"
[203mm]

Adjustable from
7 3/4" to 8 1/4"
[197mm to 210mm]



18"
[457mm]

9 1/2"
[242mm]

6 3/4"
[172mm]

Quarter-Turn
Cerama Cartridges &
Lever Handles w/
Color Coded Indexes

Ø 2" [51mm]
Flanges w/
1/2" NPT
Female Inlets

2 3/8"
[61mm]

Mounting
Surface

Product Specifications:

8" Wall Mount Mixing Faucet, Cerama Cartridges, Lever Handles, 18" Swivel Nozzle, Stream Regulator Outlet & 1/2" NPT Female Inlets

Product Compliance:

ASME A112.18.1 / CSA B125.1
NSF 61 - Section 9
NSF 372 (Low Lead Content)
ANSI A117.1 (ADA)



T&S BRASS AND BRONZE WORKS, INC.

2 Saddleback Cove / P.O. Box 1088
Travelers Rest, SC 29690

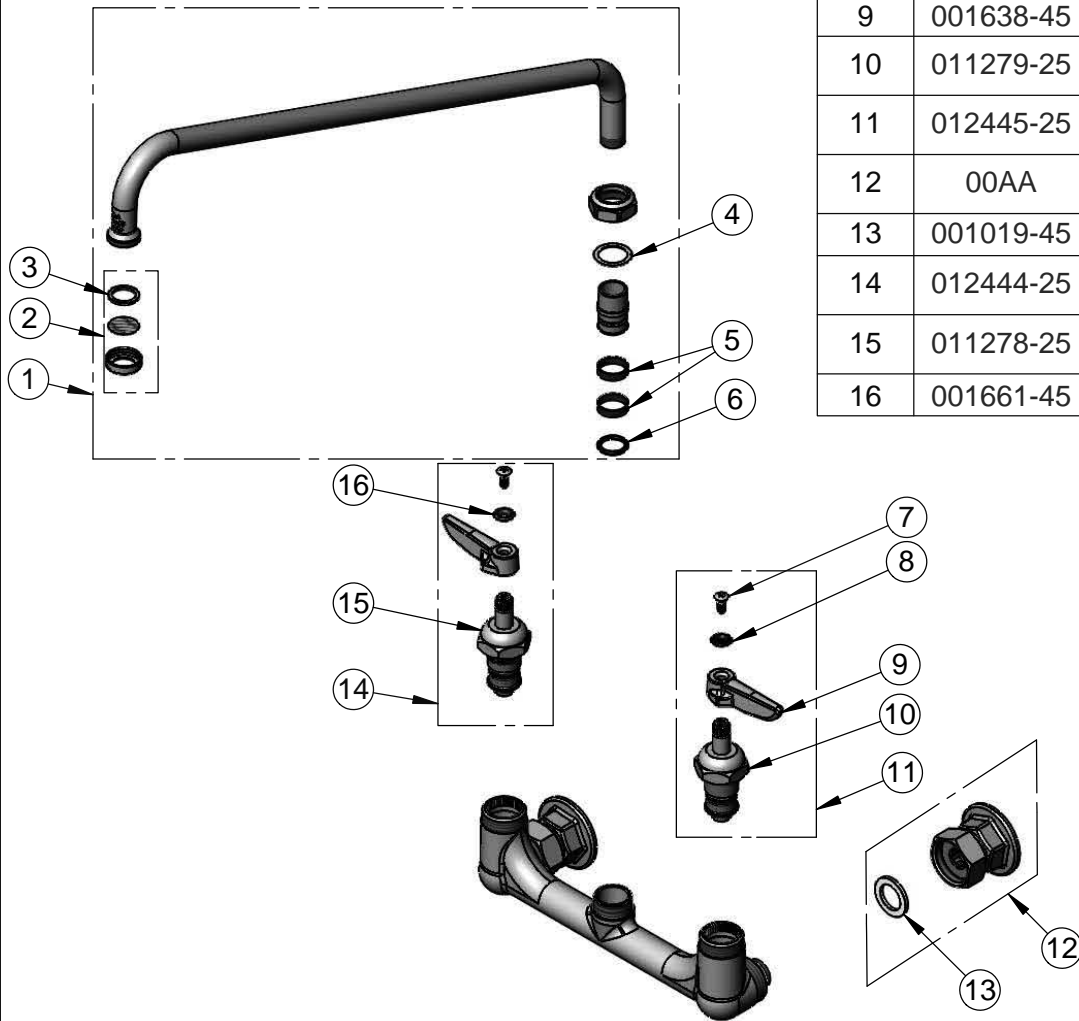
Model No.

B-0230-CR

Item No.

Travelers Rest, SC: 800-476-4103 • Simi Valley, CA: 800-423-0150 • Fax: 864-834-3518 • www.tsbrass.com

ITEM NO.	SALES NO.	DESCRIPTION
1	065X	18" Swing Nozzle
2	B-PT	Stream Regulator Outlet
3	001048-45	Nozzle Tip Washer
4	009538-45	Swivel Washer
5	011429-45	Swivel Sleeves (2)
6	001074-45	O-Ring
7	000922-45	Lever Handle Screw
8	001660-45	Blue Index-CW
9	001638-45	Lever Handle
10	011279-25	Quarter-Turn Cerama Cartridge, LTC
11	012445-25	Quarter-Turn Cerama Cartridge, LTC w/ Handle, Index & Screw
12	00AA	1/2" NPT Female Eccentric Flange
13	001019-45	Coupling Nut Washer
14	012444-25	Quarter-Turn Cerama Cartridge, RTC w/ Handle, Index & Screw
15	011278-25	Quarter-Turn Cerama Cartridge, RTC
16	001661-45	Red Index-HW



Product Specifications:

8" Wall Mount Mixing Faucet, Cerama Cartridges, Lever Handles, 18" Swivel Nozzle, Stream Regulator Outlet & 1/2" NPT Female Inlets

Product Compliance:

ASME A112.18.1 / CSA B125.1
NSF 61 - Section 9
NSF 372 (Low Lead Content)
ANSI A117.1 (ADA)