



# T&S BRASS AND BRONZE WORKS, INC.

2 Saddleback Cove / P.O. Box 1088  
Travelers Rest, SC 29690

Model No.

**B-0230-EELN**

Item No.

Travelers Rest, SC: 800-476-4103 • Simi Valley, CA: 800-423-0150 • Fax: 864-834-3518 • www.tsbrass.com



**ADA Compliant**

This Space for Architect/Engineer Approval

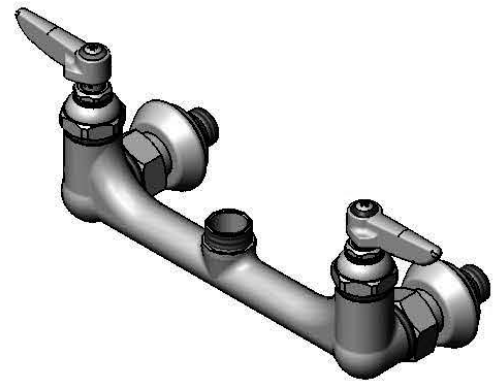
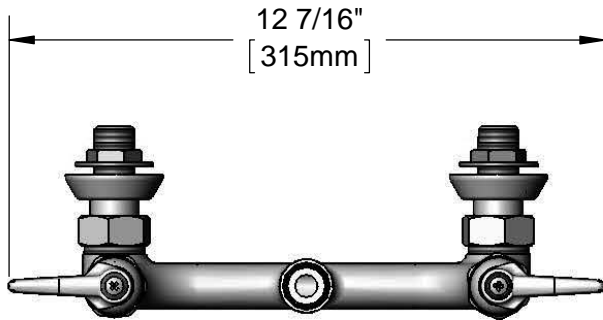
Job Name \_\_\_\_\_ Date \_\_\_\_\_

Model Specified \_\_\_\_\_ Quantity \_\_\_\_\_

Customer/Wholesaler \_\_\_\_\_

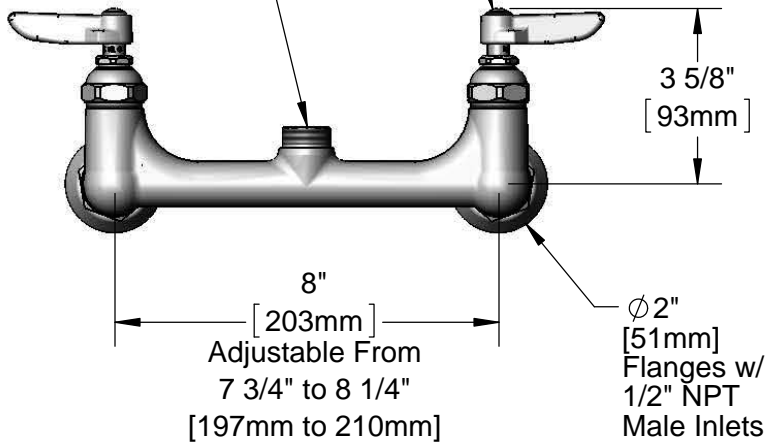
Contractor \_\_\_\_\_

Architect/Engineer \_\_\_\_\_



Swivel Outlet Accepts  
Standard T&S Swing  
Nozzles

Eterna Cartridges &  
Lever Handles w/  
Color Coded Indexes



3/16"  
[4mm]  
Maximum  
Thickness

2 5/16"  
[59mm]

Mounting  
Surface

Rough-In Requirement:  
(2)  $\phi$  1" [25mm] Mounting Holes

Product Specifications:  
8" Wall Mount Mixing Faucet, Eterna Cartridges, Lever Handles and 1/2" NPT Male Inlets, Less Nozzle

Product Compliance:  
ASME A112.18.1 / CSA B125.1  
NSF 61 - Section 9  
NSF 372 (Low Lead Content)  
ANSI A117.1 (ADA)



# T&S BRASS AND BRONZE WORKS, INC.

2 Saddleback Cove / P.O. Box 1088  
Travelers Rest, SC 29690

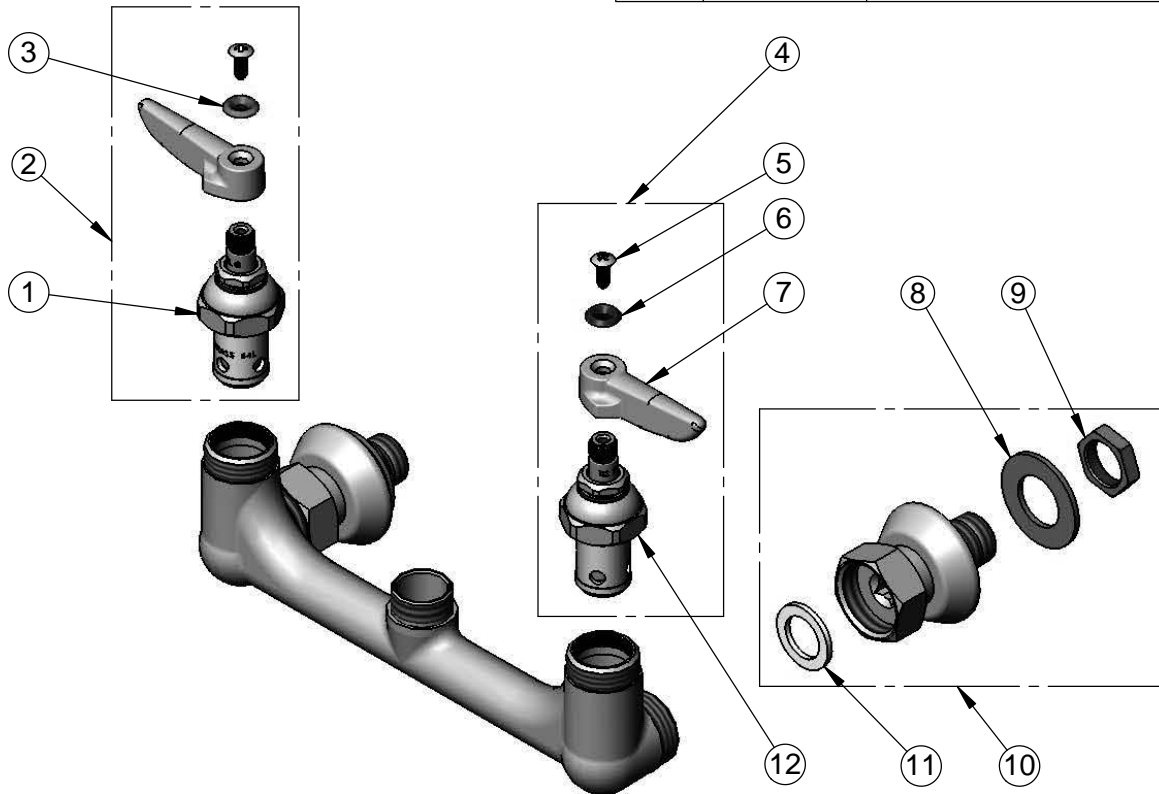
Model No.

**B-0230-EELN**

Item No.

Travelers Rest, SC: 800-476-4103 • Simi Valley, CA: 800-423-0150 • Fax: 864-834-3518 • www.tsbrass.com

ITEM NO.	SALES NO.	DESCRIPTION
1	005960-40	Eterna Cartridge, RTC
2	002714-40	Eterna Cartridge, RTC w/ Handle, Index & Screw
3	001661-45	Red Index-HW
4	002713-40	Eterna Cartridge, LTC w/ Handle, Index & Screw
5	000922-45	Lever Handle Screw
6	001660-45	Blue Index-CW
7	001638-45	Lever Handle
8	000999-45	Brass Lock Washer
9	002954-45	Shank Lock Nut
10	00EE	1/2" NPT Male Inlet w/ Adjustable Flange
11	001019-45	Coupling Nut Washer
12	005959-40	Eterna Cartridge, LTC



**Product Specifications:**

8" Wall Mount Mixing Faucet, Eterna Cartridges, Lever Handles and 1/2" NPT Male Inlets, Less Nozzle

**Product Compliance:**

ASME A112.18.1 / CSA B125.1  
NSF 61 - Section 9  
NSF 372 (Low Lead Content)  
ANSI A117.1 (ADA)