



T&S BRASS AND BRONZE WORKS, INC.

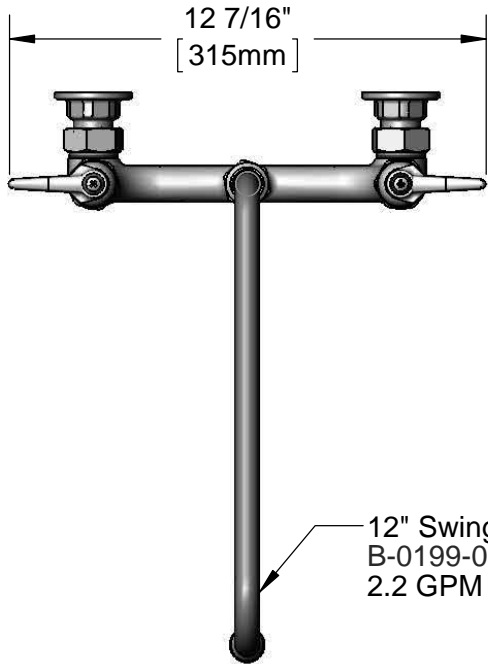
2 Saddleback Cove / P.O. Box 1088
Travelers Rest, SC 29690

Model No.

B-0231-A22-CVH

Item No.

Travelers Rest, SC: 800-476-4103 • Simi Valley, CA: 800-423-0150 • Fax: 864-834-3518 • www.tsbrass.com



ADA Compliant

This Space for Architect/Engineer Approval

Job Name _____ Date _____

Model Specified _____ Quantity _____

Customer/Wholesaler _____

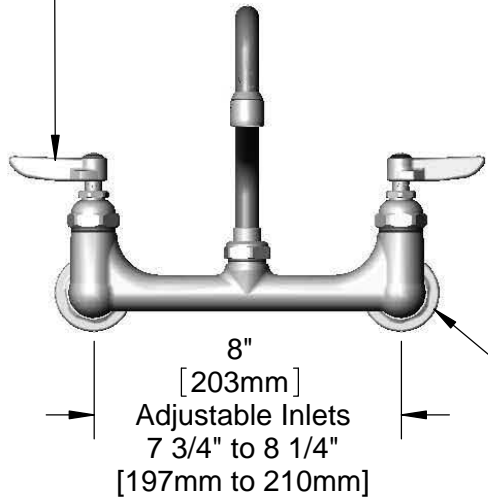
Contractor _____

Architect/Engineer _____

12" Swing Nozzle w/
B-0199-01
2.2 GPM Aerator

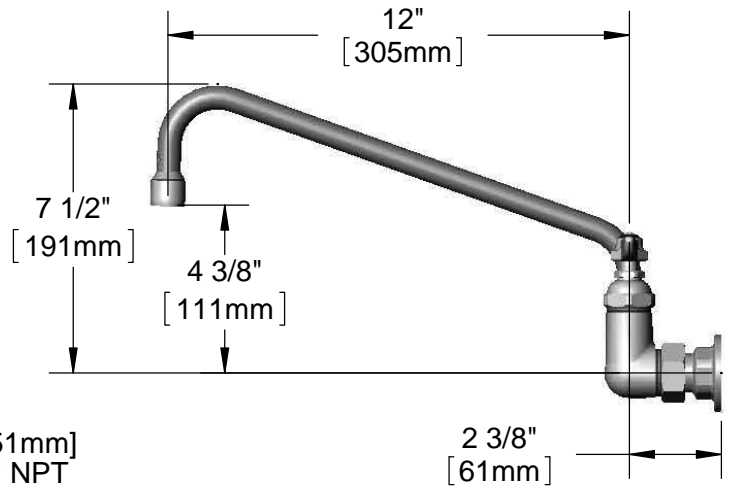


Eterna Cartridges &
Lever Handles w/
Colored Coded Indexes



8" [203mm]
Adjustable Inlets
7 3/4" to 8 1/4"
[197mm to 210mm]

Ø2" [51mm]
w/ 1/2" NPT
Female Inlets



(2) B-CVH1-2
1/2 NPT Female
Check Valves
Included



Product Specifications:

8" c/c Wall Mount Mixing Faucet w/ 1/2" NPT Female Inlet
Flanges, Lever Handles, 12" Swing Nozzle w/ 2.2 GPM Aerator
& Check Valves

Product Compliance:

ASME A112.18.1 / CSA B125.1
NSF 61 - Section 9
NSF 372 (Low Lead Content)
ANSI A117.1 (ADA)



T&S BRASS AND BRONZE WORKS, INC.

2 Saddleback Cove / P.O. Box 1088
Travelers Rest, SC 29690

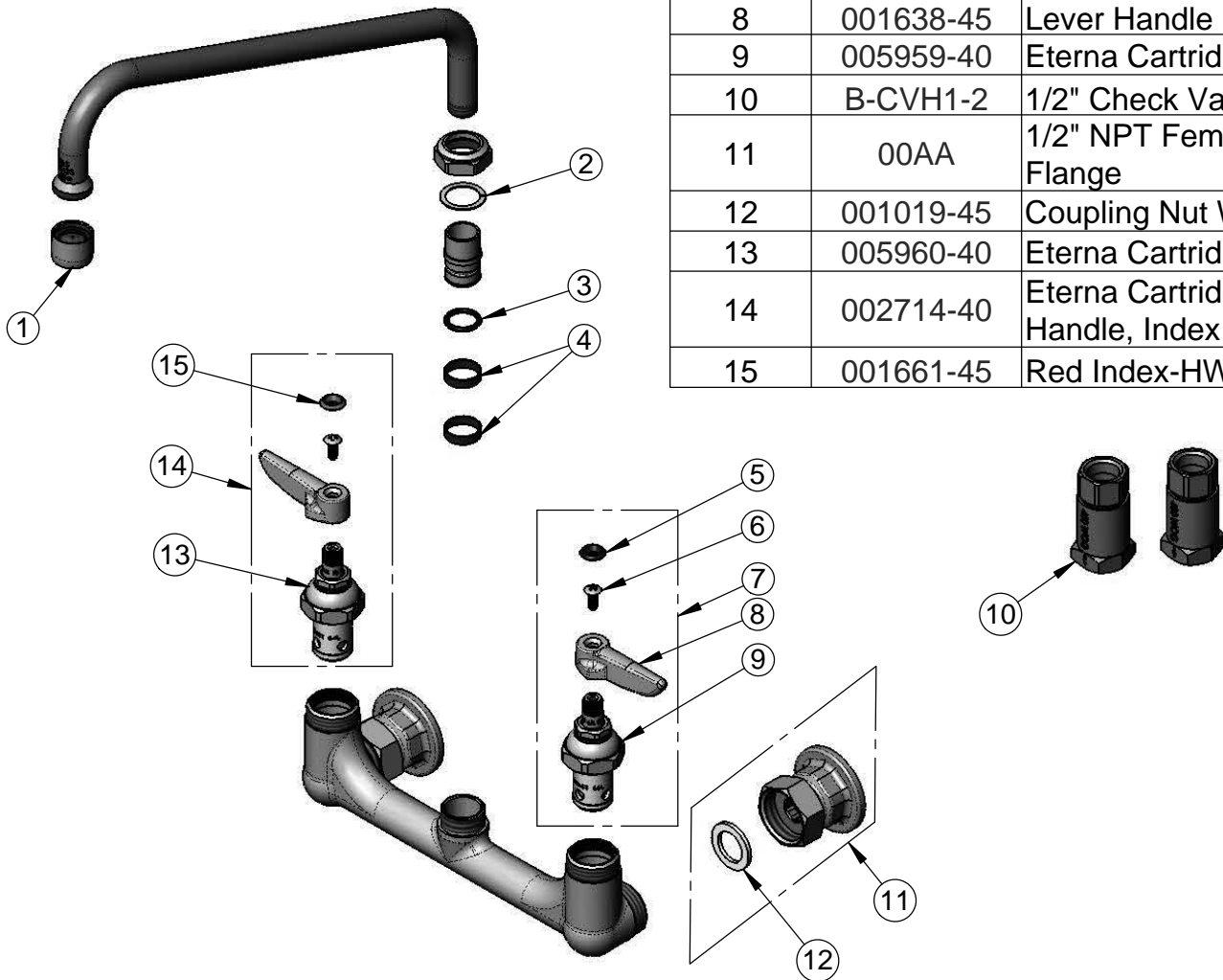
Model No.

B-0231-A22-CVH

Item No.

Travelers Rest, SC: 800-476-4103 • Simi Valley, CA: 800-423-0150 • Fax: 864-834-3518 • www.tsbrass.com

ITEM NO.	SALES NO.	DESCRIPTION
1	B-0199-01	2.2 GPM Aerator, 55/64"-27 UN Female
2	009538-45	Swivel Washer
3	001074-45	O-Ring
4	011429-45	Swivel Sleeves (2)
5	001660-45	Blue Index-CW
6	000922-45	Lever Handle Screw
7	002713-40	Eterna Cartridge LTC w/ Handle, Index & Screw
8	001638-45	Lever Handle
9	005959-40	Eterna Cartridge, LTC
10	B-CVH1-2	1/2" Check Valve
11	00AA	1/2" NPT Female Eccentric Flange
12	001019-45	Coupling Nut Washer
13	005960-40	Eterna Cartridge, RTC
14	002714-40	Eterna Cartridge RTC w/ Handle, Index & Screw
15	001661-45	Red Index-HW



Product Specifications:
8" c/c Wall Mount Mixing Faucet w/ 1/2" NPT Female Inlet Flanges, Lever Handles, 12" Swing Nozzle w/ 2.2 GPM Aerator & Check Valves

Product Compliance:
ASME A112.18.1 / CSA B125.1
NSF 61 - Section 9
NSF 372 (Low Lead Content)
ANSI A117.1 (ADA)