



# T&S BRASS AND BRONZE WORKS, INC.

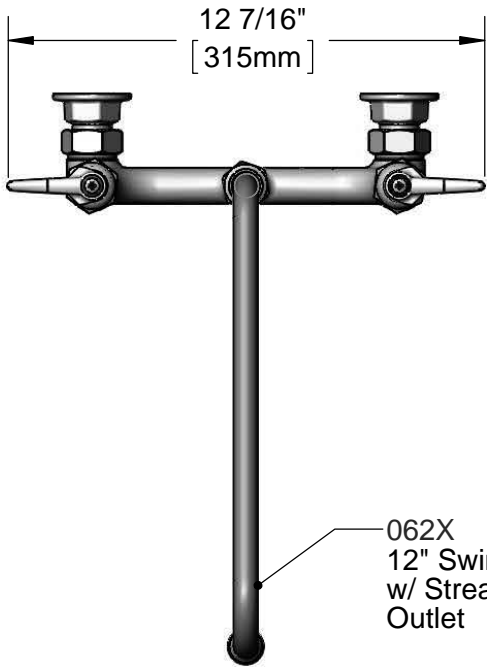
2 Saddleback Cove / P.O. Box 1088  
Travelers Rest, SC 29690

Model No.

**B-0231-BB-CR**

Item No.

Travelers Rest, SC: 800-476-4103 • Simi Valley, CA: 800-423-0150 • Fax: 864-834-3518 • www.tsbrass.com



This Space for Architect/Engineer Approval

Job Name \_\_\_\_\_ Date \_\_\_\_\_

Model Specified \_\_\_\_\_ Quantity \_\_\_\_\_

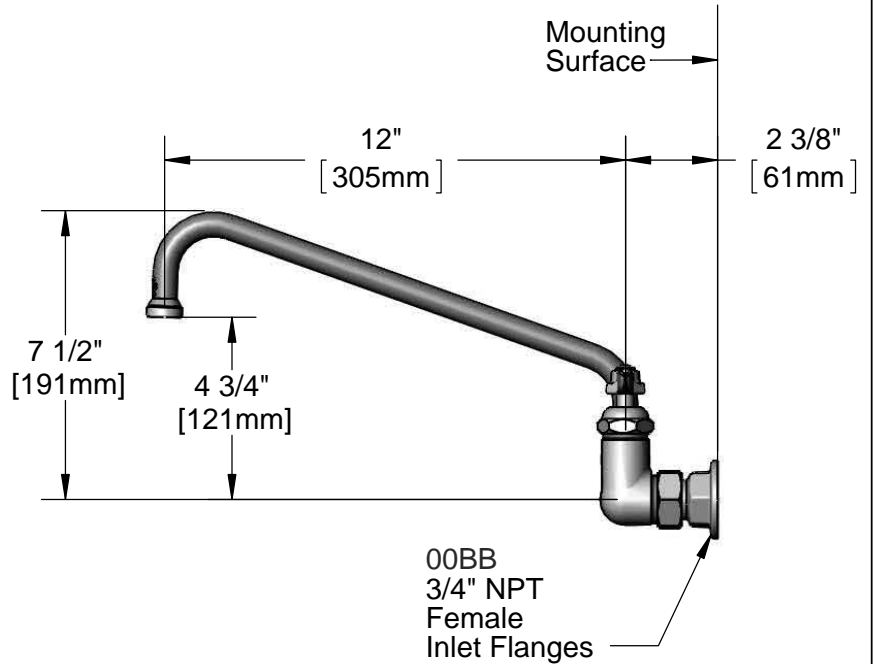
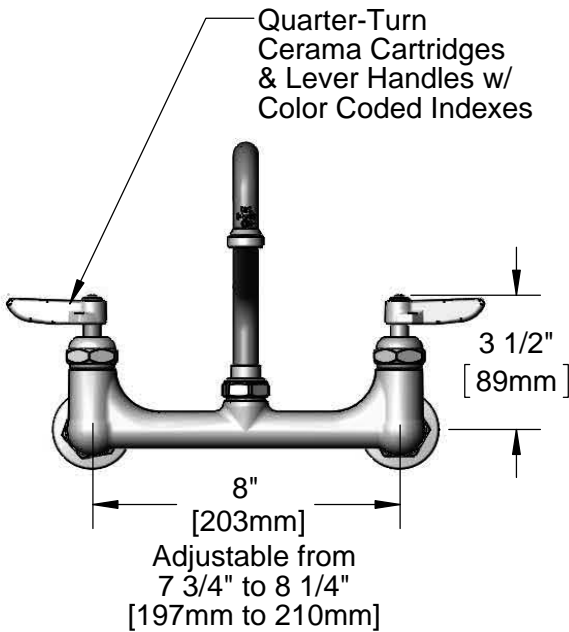
Customer/Wholesaler \_\_\_\_\_

Contractor \_\_\_\_\_

Architect/Engineer \_\_\_\_\_



062X  
12" Swing Nozzle  
w/ Stream Regulator  
Outlet



Rough-In Requirement:  
(2)  $\varnothing$  1 3/8" [35mm] Mounting Holes

Product Specifications:  
8" Wall Mount Mixing Faucet, Cerama Cartridges, Lever Handles,  
12" Swing Nozzle w/ Stream Regulator Outlet & 3/4" NPT "BB"  
Female Inlets

Product Compliance:  
ASME A112.18.1 / CSA B125.1  
NSF 61 - Section 9  
NSF 372 (Low Lead Content)  
ANSI A117.1 (ADA)



# T&S BRASS AND BRONZE WORKS, INC.

2 Saddleback Cove / P.O. Box 1088  
Travelers Rest, SC 29690

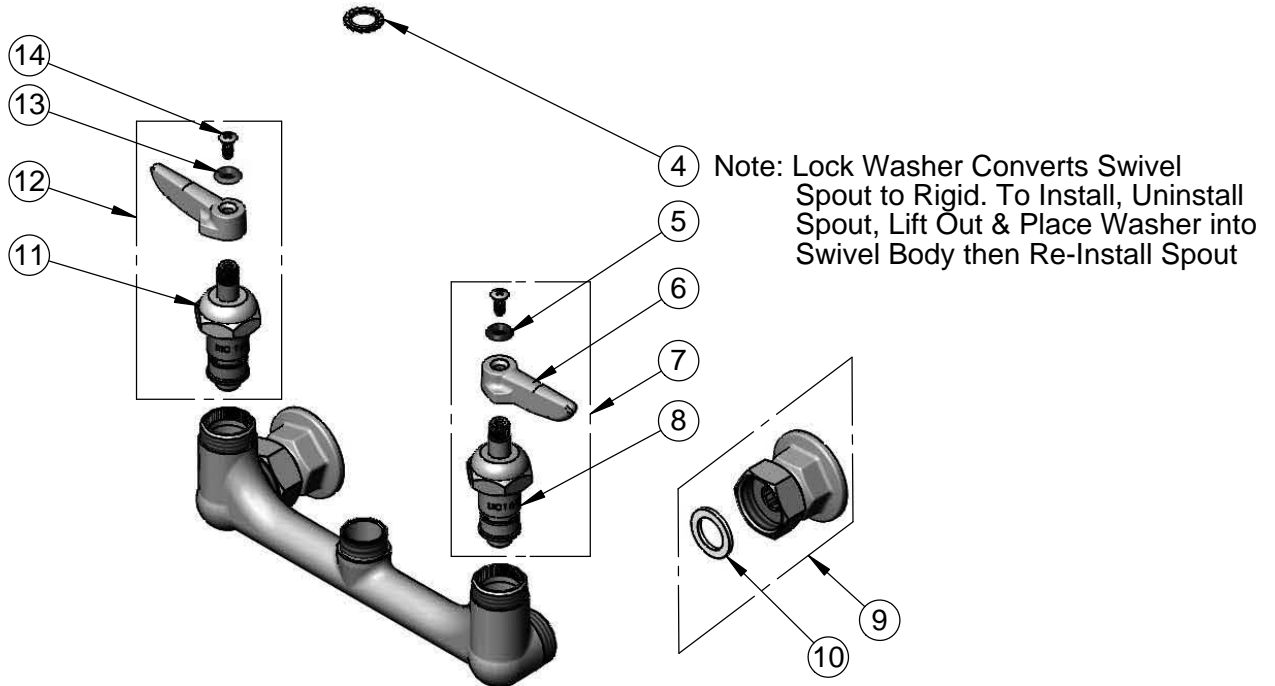
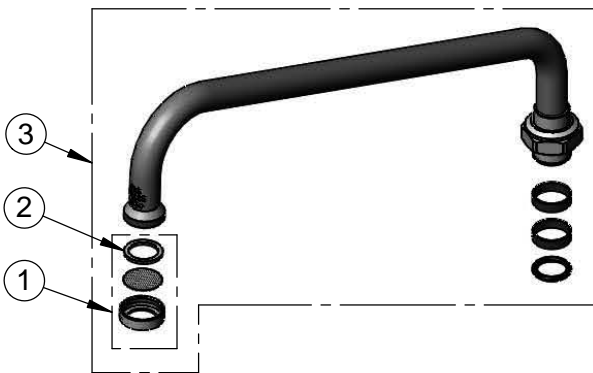
Model No.

**B-0231-BB-CR**

Item No.

Travelers Rest, SC: 800-476-4103 • Simi Valley, CA: 800-423-0150 • Fax: 864-834-3518 • www.tsbrass.com

ITEM NO.	SALES NO.	DESCRIPTION
1	B-PT	Stream Regulator Outlet
2	001048-45	Nozzle Tip Washer
3	062X	12" Swing Nozzle
4	014200-45	Star Washer, Anti-Rotation
5	001660-45	Blue Index-CW
6	001638-45	Lever Handle
7	012445-25	Quarter-Turn Cerama Cartridge, LTC w/ Handle, Index & Screw
8	011279-25	Quarter-Turn Cerama Cartridge LTC
9	00BB	Female Inlet, 3/4" NPT
10	001019-45	Coupling Nut Washer
11	011278-25	Quarter-Turn Cerama Cartridge, RTC
12	012444-25	Quarter-Turn Cerama Cartridge, RTC w/ Handle, Index & Screw
13	001661-45	Red Index-HW
14	000922-45	Lever Handle Screw



**Product Specifications:**

8" Wall Mount Mixing Faucet, Cerama Cartridges, Lever Handles, 12" Swing Nozzle w/ Stream Regulator Outlet & 3/4" NPT "BB" Female Inlets

**Product Compliance:**

ASME A112.18.1 / CSA B125.1  
NSF 61 - Section 9  
NSF 372 (Low Lead Content)  
ANSI A117.1 (ADA)