



T&S BRASS AND BRONZE WORKS, INC.

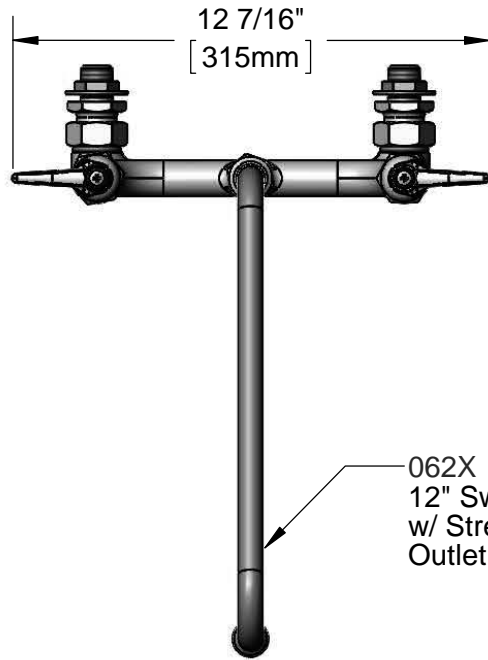
2 Saddleback Cove / P.O. Box 1088
Travelers Rest, SC 29690

Model No.

B-0231-CC-CR

Item No.

Travelers Rest, SC: 800-476-4103 • Simi Valley, CA: 800-423-0150 • Fax: 864-834-3518 • www.tsbrass.com



This Space for Architect/Engineer Approval

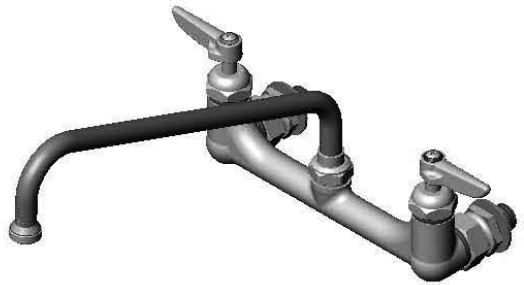
Job Name _____ Date _____

Model Specified _____ Quantity _____

Customer/Wholesaler _____

Contractor _____

Architect/Engineer _____

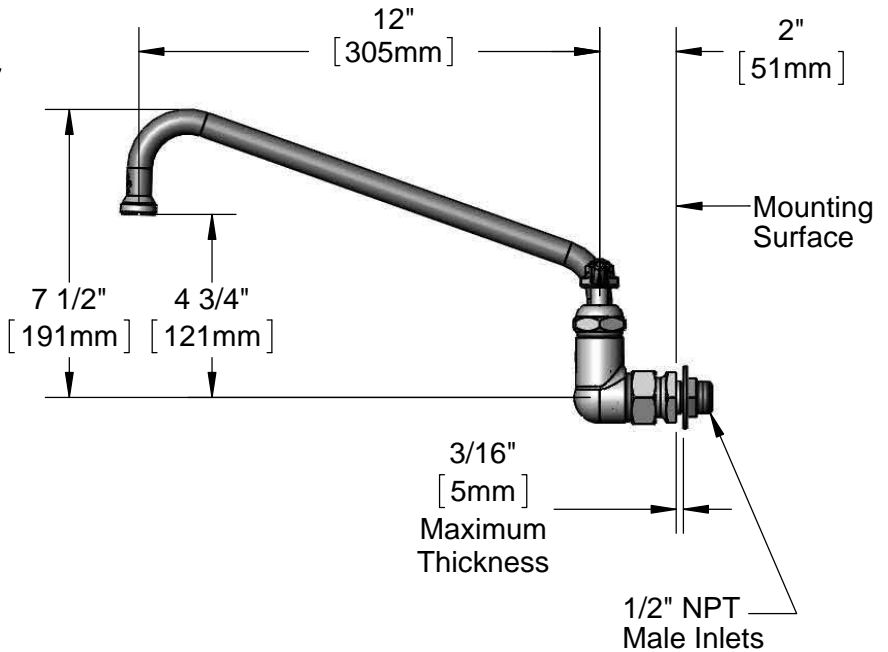
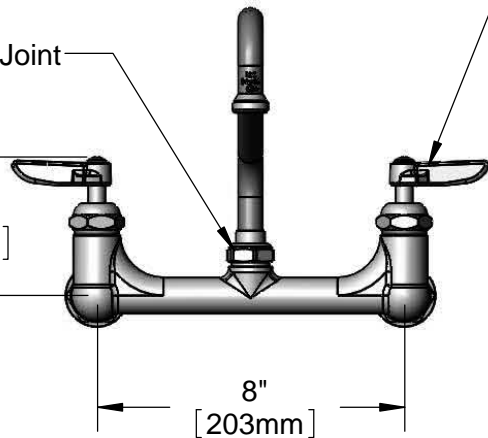


062X
12" Swing Nozzle
w/ Stream Regulator
Outlet

Quarter-Turn
Cerama Cartridges
& Lever Handles w/
Color Coded Indexes

Swivel Joint

3 5/8"
[92mm]



Rough-In Requirement:
(2) ϕ 1" [25mm] Mounting Holes

Product Specifications:

8" Wall Mount Mixing Faucet, Cerama Cartridges, Lever Handles,
12" Swing Nozzle & 1/2" NPT Male Inlets

Product Compliance:

ASME A112.18.1 / CSA B125.1
NSF 61 - Section 9
NSF 372 (Low Lead Content)
ANSI A117.1 (ADA)



T&S BRASS AND BRONZE WORKS, INC.

2 Saddleback Cove / P.O. Box 1088
Travelers Rest, SC 29690

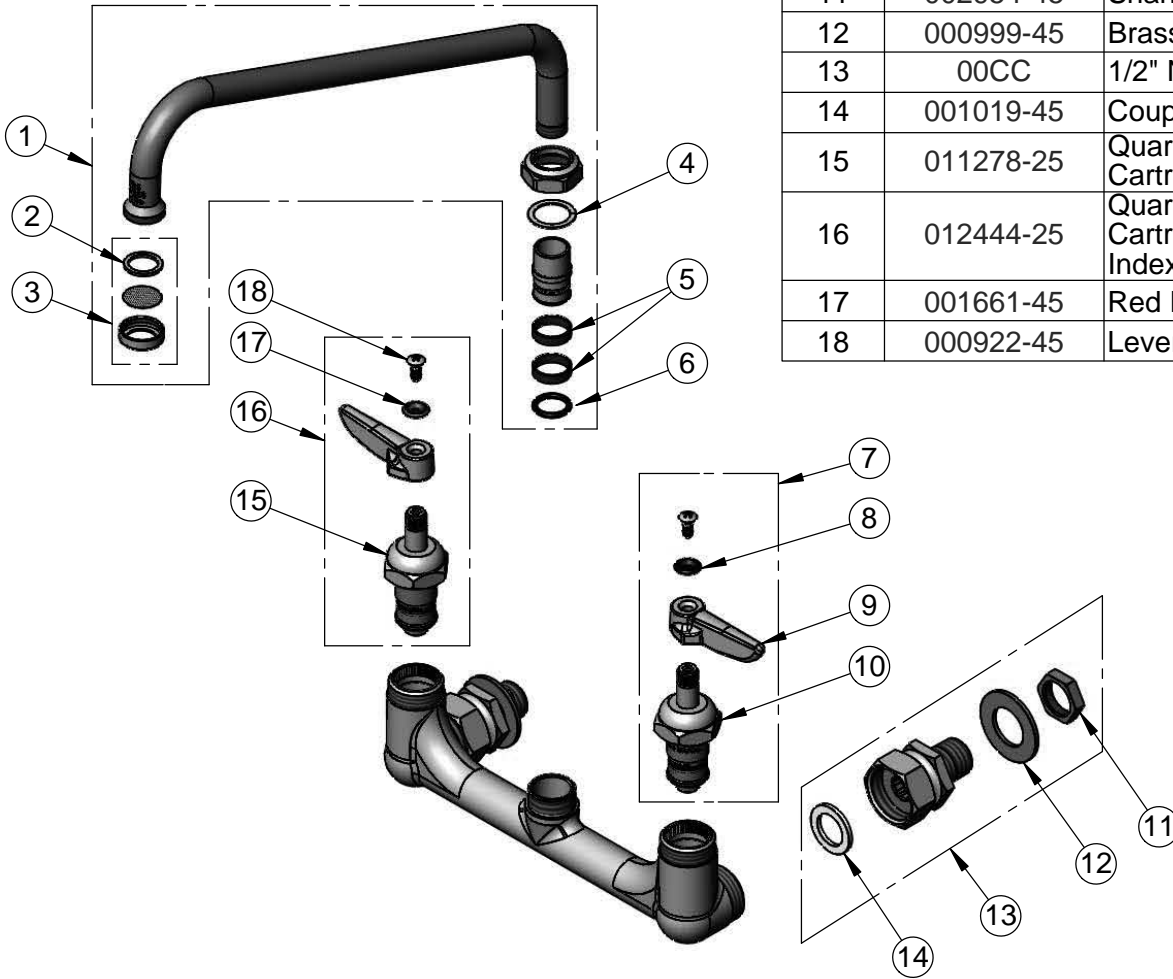
Model No.

B-0231-CC-CR

Item No.

Travelers Rest, SC: 800-476-4103 • Simi Valley, CA: 800-423-0150 • Fax: 864-834-3518 • www.tsbrass.com

ITEM NO.	SALES NO.	DESCRIPTION
1	062X	12" Swing Nozzle
2	001048-45	Nozzle Tip Washer
3	B-PT	Stream Regulator Outlet
4	009538-45	Swivel Washer
5	011429-45	Swivel Sleeves (2)
6	001074-45	O-Ring
7	012445-25	Quarter-Turn Cerama Cartridge, LTC w/ Handle, Index & Screw
8	001660-45	Blue Index-CW
9	001638-45	Lever Handle
10	011279-25	Quarter-Turn Cerama Cartridge, LTC
11	002954-45	Shank Lock Nut
12	000999-45	Brass Lock Washer
13	00CC	1/2" NPT Male Inlet Flange
14	001019-45	Coupling Nut Washer
15	011278-25	Quarter-Turn Cerama Cartridge, RTC
16	012444-25	Quarter-Turn Cerama Cartridge, RTC w/ Handle, Index & Screw
17	001661-45	Red Index-HW
18	000922-45	Lever Handle Screw



Product Specifications:

8" Wall Mount Mixing Faucet, Cerama Cartridges, Lever Handles, 12" Swing Nozzle & 1/2" NPT Male Inlets

Product Compliance:

ASME A112.18.1 / CSA B125.1
NSF 61 - Section 9
NSF 372 (Low Lead Content)
ANSI A117.1 (ADA)