



T&S BRASS AND BRONZE WORKS, INC.
 2 Saddleback Cove / P.O. Box 1088
 Travelers Rest, SC 29690

Model No.
B-0231-CC

Item No.

Travelers Rest, SC: 800-476-4103 • Simi Valley, CA: 800-423-0150 • Fax: 864-834-3518 • www.tsbrass.com



ADA Compliant

This Space for Architect/Engineer Approval

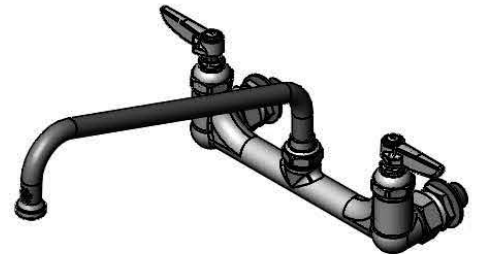
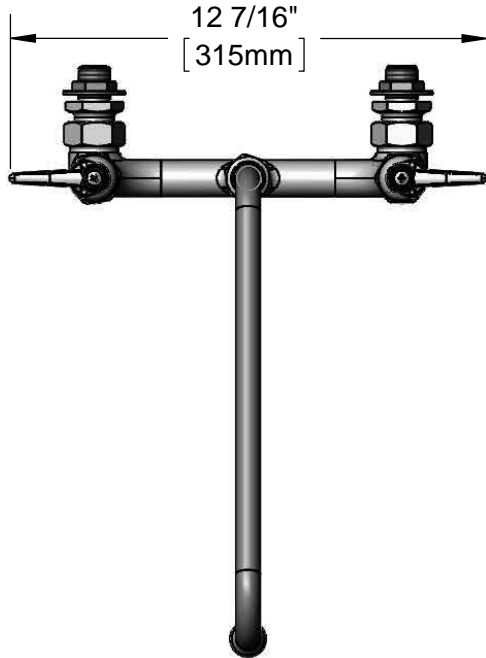
Job Name _____ Date _____

Model Specified _____ Quantity _____

Customer/Wholesaler _____

Contractor _____

Architect/Engineer _____



Eterna Cartridges &
 Lever Handles w/
 Color Coded Indexes

062X
 12" Swing Nozzle
 w/ Stream Regulator
 Outlet

Swivel Joint

Mounting
 Surface

3 5/8"
 [93mm]

7 1/2"
 [191mm]

4 3/4"
 [121mm]

3/16"
 [5mm]
 Maximum
 Thickness

8"
 [203mm]

1/2" NPT Male Inlets

Rough-In Requirement:
 (2) ϕ 1" [25mm] Mounting Holes

Product Specifications:

8" Wall Mount Mixing Faucet, Eterna Cartridges, Lever Handles,
 12" Swing Nozzle & 1/2" NPT Male Inlets

Product Compliance:

ASME A112.18.1 / CSA B125.1
 NSF 61 - Section 9
 NSF 372 (Low Lead Content)
 ANSI A117.1 (ADA)



T&S BRASS AND BRONZE WORKS, INC.

2 Saddleback Cove / P.O. Box 1088
Travelers Rest, SC 29690

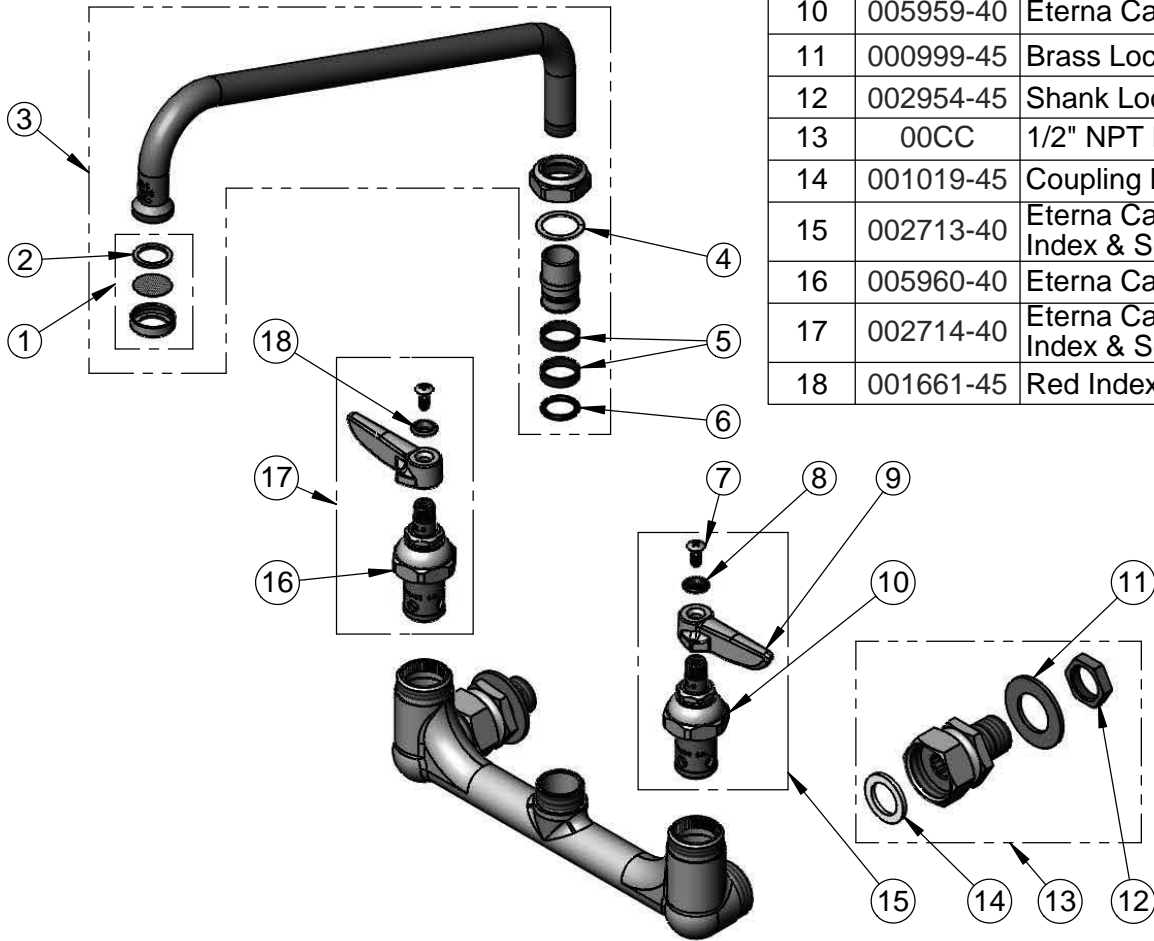
Model No.

B-0231-CC

Item No.

Travelers Rest, SC: 800-476-4103 • Simi Valley, CA: 800-423-0150 • Fax: 864-834-3518 • www.tsbrass.com

ITEM NO.	SALES NO.	DESCRIPTION
1	B-PT	Stream Regulator Outlet
2	001048-45	Nozzle Tip Washer
3	062X	12" Swing Nozzle
4	009538-45	Swivel Washer
5	011429-45	Swivel Sleeves (2)
6	001074-45	O-Ring
7	000922-45	Lever Handle Screw
8	001660-45	Blue Index-CW
9	001638-45	Lever Handle
10	005959-40	Eterna Cartridge, LTC
11	000999-45	Brass Lock Washer
12	002954-45	Shank Lock Nut
13	00CC	1/2" NPT Male Inlet Flange
14	001019-45	Coupling Nut Washer
15	002713-40	Eterna Cartridge, LTC w/ Handle, Index & Screw
16	005960-40	Eterna Cartridge, RTC
17	002714-40	Eterna Cartridge, RTC w/ Handle, Index & Screw
18	001661-45	Red Index-HW



Product Specifications:

8" Wall Mount Mixing Faucet, Eterna Cartridges, Lever Handles, 12" Swing Nozzle & 1/2" NPT Male Inlets

Product Compliance:

ASME A112.18.1 / CSA B125.1
NSF 61 - Section 9
NSF 372 (Low Lead Content)
ANSI A117.1 (ADA)