



# T&S BRASS AND BRONZE WORKS, INC.

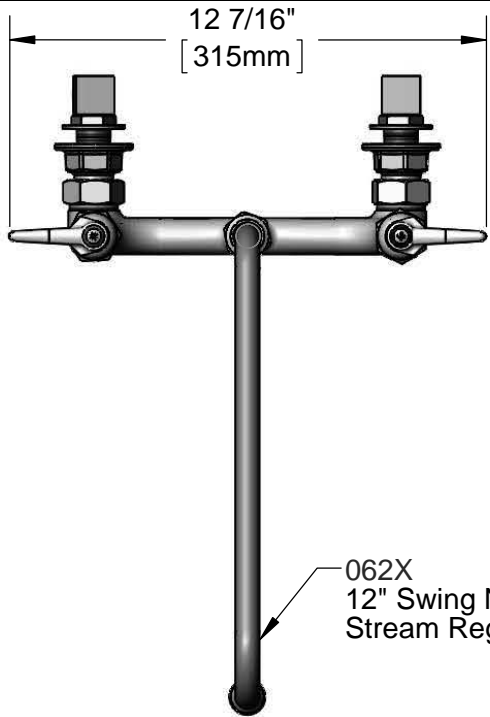
2 Saddleback Cove / P.O. Box 1088  
Travelers Rest, SC 29690

Model No.

**B-0231-CR-EK**

Item No.

Travelers Rest, SC: 800-476-4103 • Simi Valley, CA: 800-423-0150 • Fax: 864-834-3518 • www.tsbrass.com



This Space for Architect/Engineer Approval

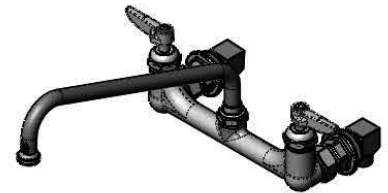
Job Name \_\_\_\_\_ Date \_\_\_\_\_

Model Specified \_\_\_\_\_ Quantity \_\_\_\_\_

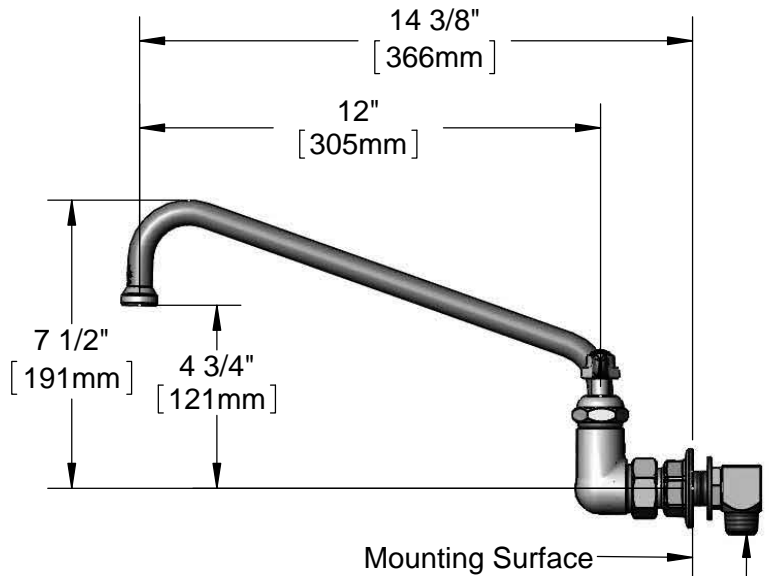
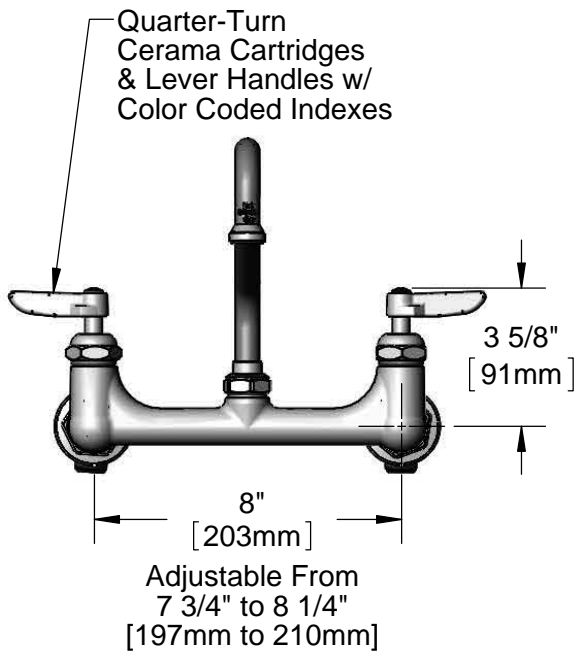
Customer/Wholesaler \_\_\_\_\_

Contractor \_\_\_\_\_

Architect/Engineer \_\_\_\_\_



062X  
12" Swing Nozzle w/  
Stream Regulator Outlet



(2) B-0230-K  
Short El Installation Kit  
w/ 1/2" NPT Male Inlets

Rough-In Requirement:  
(2) 1" [25mm] Mounting Holes

Product Specifications:  
8" Wall Mount Base Faucet, Cerama Cartridges, 062X Swing Nozzle,  
Lever Handles & 00AA Wall Flanges & (2) Short Elbow Installation Kit  
w/ 1/2" NPT Male Inlets

Product Compliance:  
ASME A112.18.1 / CSA B125.1  
NSF 61 - Section 9  
NSF 372 (Low Lead Content)  
ANSI A117.1 (ADA)



# T&S BRASS AND BRONZE WORKS, INC.

2 Saddleback Cove / P.O. Box 1088  
Travelers Rest, SC 29690

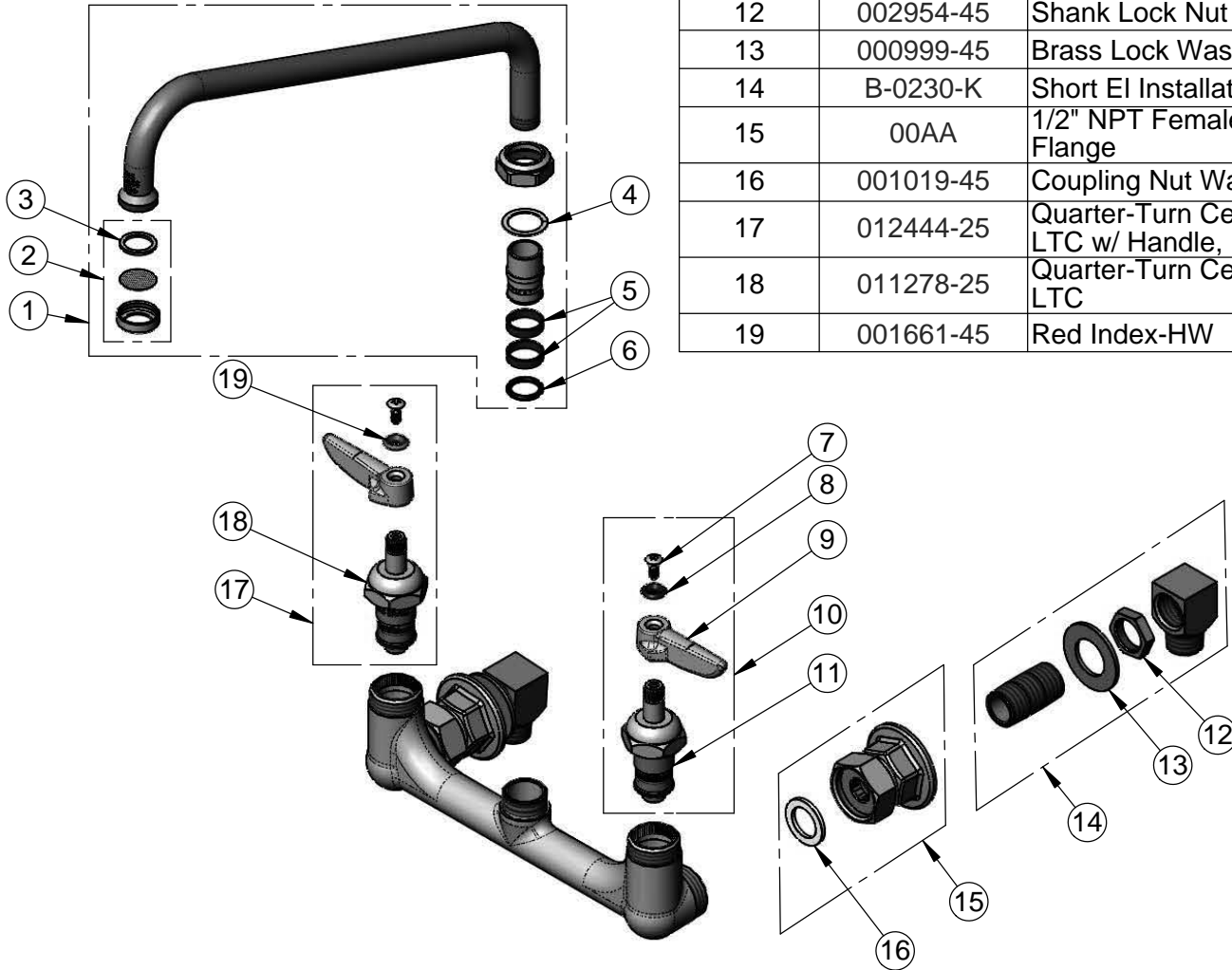
Model No.

**B-0231-CR-EK**

Item No.

Travelers Rest, SC: 800-476-4103 • Simi Valley, CA: 800-423-0150 • Fax: 864-834-3518 • www.tsbrass.com

ITEM NO.	SALES NO.	DESCRIPTION
1	062X	12" Swing Nozzle
2	B-PT	Stream Regulator Outlet
3	001048-45	Nozzle Tip Washer
4	009538-45	Swivel Washer
5	011429-45	Swivel Sleeves (2)
6	001074-45	O-Ring
7	000922-45	Lever Handle Screw
8	001660-45	Blue Index-CW
9	001638-45	Lever Handle
10	012445-25	Quarter-Turn Cerama Cartridge, RTC w/ Handle, Index & Screw
11	011279-25	Quarter-Turn Ceramic Cartridge, RTC
12	002954-45	Shank Lock Nut
13	000999-45	Brass Lock Washer
14	B-0230-K	Short EI Installation Kit
15	00AA	1/2" NPT Female Eccentric Flange
16	001019-45	Coupling Nut Washer
17	012444-25	Quarter-Turn Cerama Cartridge, LTC w/ Handle, Index & Screw
18	011278-25	Quarter-Turn Ceramic Cartridge, LTC
19	001661-45	Red Index-HW



**Product Specifications:**

8" Wall Mount Base Faucet, Cerama Cartridges, 062X Swing Nozzle, Lever Handles & 00AA Wall Flanges & (2) Short Elbow Installation Kit w/ 1/2" NPT Male Inlets

**Product Compliance:**

ASME A112.18.1 / CSA B125.1  
NSF 61 - Section 9  
NSF 372 (Low Lead Content)  
ANSI A117.1 (ADA)