



# T&S BRASS AND BRONZE WORKS, INC.

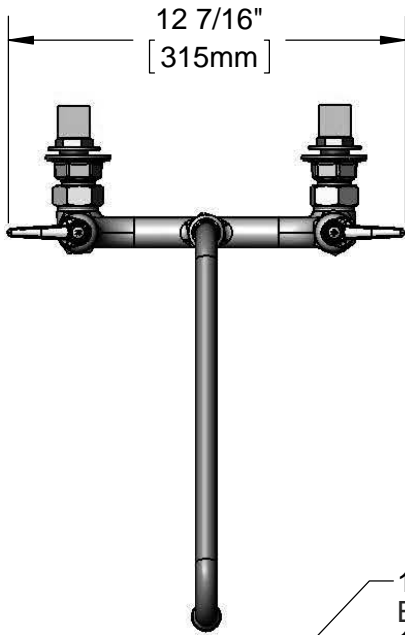
2 Saddleback Cove / P.O. Box 1088  
Travelers Rest, SC 29690

Model No.

**B-0231-CR-K-F10**

Item No.

Travelers Rest, SC: 800-476-4103 • Simi Valley, CA: 800-423-0150 • Fax: 864-834-3518 • www.tsbrass.com



**ADA Compliant**

This Space for Architect/Engineer Approval

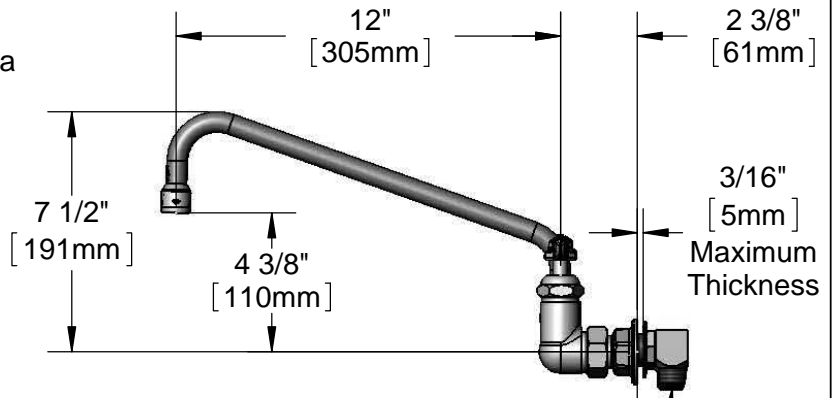
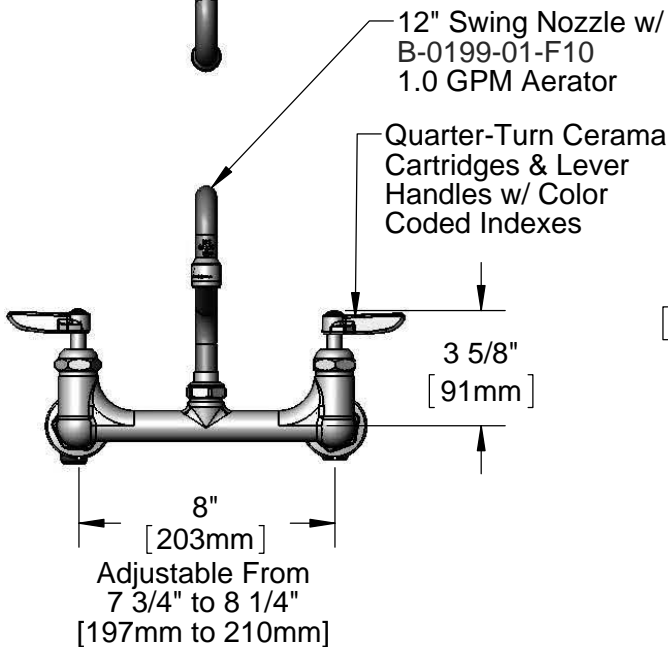
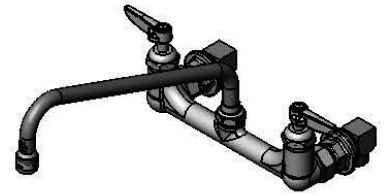
Job Name \_\_\_\_\_ Date \_\_\_\_\_

Model Specified \_\_\_\_\_ Quantity \_\_\_\_\_

Customer/Wholesaler \_\_\_\_\_

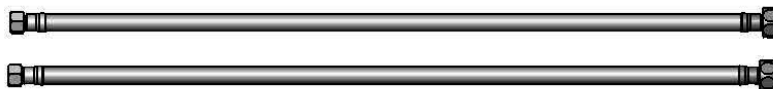
Contractor \_\_\_\_\_

Architect/Engineer \_\_\_\_\_



Mounting Surface

(2) B-0230-K  
Short EI Installation Kit  
w/ 1/2" NPT Male Inlets



**B-0230-KIT**  
Short EI Installation Kit  
w/ (2) Flexible Hoses

**Product Specifications:**

8" Wall Mount Mixing Faucet, Quarter-Turn Cerama Cartridges, Lever Handles, 12" Swing Nozzle w/ 1.0 GPM Aerator, Installation Kits & (2) 24" Flexible Supply Hoses

**Product Compliance:**

ASME A112.18.1 / CSA B125.1  
NSF 61 - Section 9  
NSF 372 (Low Lead Content)  
ANSI A117.1 (ADA)



# T&S BRASS AND BRONZE WORKS, INC.

2 Saddleback Cove / P.O. Box 1088  
Travelers Rest, SC 29690

Model No.

**B-0231-CR-K-F10**

Item No.

Travelers Rest, SC: 800-476-4103 • Simi Valley, CA: 800-423-0150 • Fax: 864-834-3518 • www.tsbrass.com

	ITEM NO.	SALES NO.	DESCRIPTION
	1	B-0199-01-F10	1.0 GPM Aerator, 55/64-27 UN Female
	2	009538-45	Swivel Washer
	3	011429-45	Swivel Sleeves (2)
	4	001074-45	O-Ring
	5	000922-45	Lever Handle Screw
	6	001660-45	Blue Index-CW
	7	001638-45	Lever Handle
	8	012445-25	Quarter-Turn Cerama Cartridge, LTC w/ Handle, Index & Screw
	9	011279-25	Quarter-Turn Cerama Cartridge, LTC
	10	B-0230-K	Short Elbow Installation Kit
	11	00AA	1/2" NPT Female Eccentric Flange
	12	B-0230-KIT	Short EI Installation Kit w/ (2) Hoses
	13	002954-45	Shank Lock Nut
	14	000999-45	Brass Lock Washer
	15	001019-45	Coupling Nut Washer
	16	011278-25	Quarter-Turn Cerama Cartridge, RTC
	17	012444-25	Quarter-Turn Cerama Cartridge, RTC w/ Handle, Index & Screw
	18	001661-45	Red Index-HW

**Product Specifications:**

8" Wall Mount Mixing Faucet, Quarter-Turn Cerama Cartridges, Lever Handles, 12" Swing Nozzle w/ 1.0 GPM Aerator, Installation Kits & (2) 24" Flexible Supply Hoses

**Product Compliance:**

ASME A112.18.1 / CSA B125.1  
NSF 61 - Section 9  
NSF 372 (Low Lead Content)  
ANSI A117.1 (ADA)