



T&S BRASS AND BRONZE WORKS, INC.

2 Saddleback Cove / P.O. Box 1088
Travelers Rest, SC 29690



REG. #A2601
ISO #9001

Model No.

B-0231-CR-KIT

Item No.

Travelers Rest, SC: 800-476-4103 • Simi Valley, CA: 800-423-0150 • Fax: 864-834-3518 • www.tsbrass.com

This Space for Architect/Engineer Approval

Job Name _____ Date _____

Model Specified _____ Quantity _____

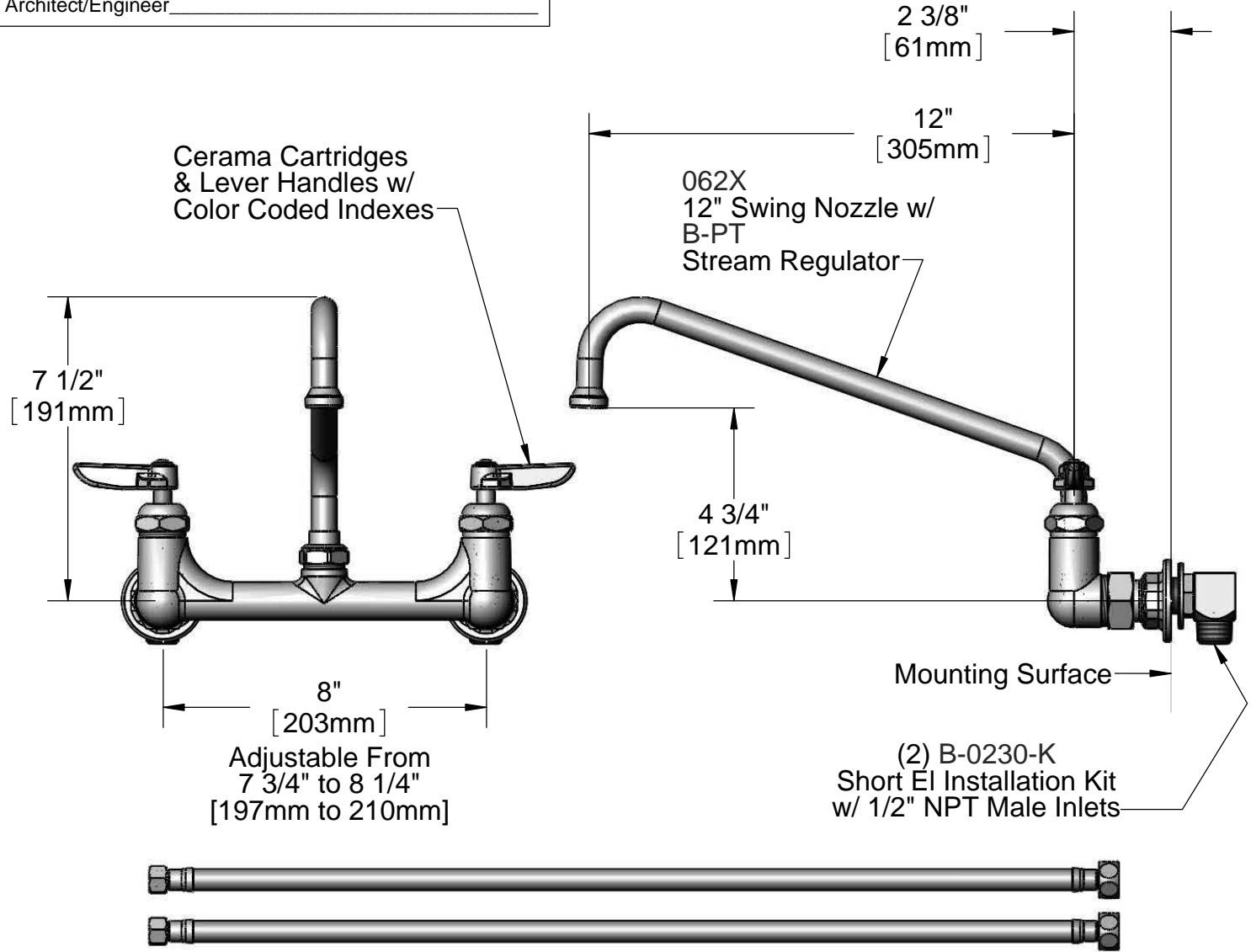
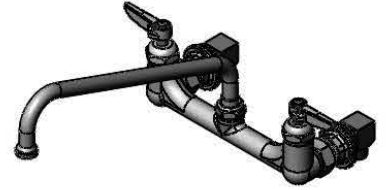
Customer/Wholesaler _____

Contractor _____

Architect/Engineer _____



ADA Compliant



B-0230-KIT
Short EI Installation Kit
w/ (2) Flex Hoses

Product Specifications:

8" Wall Mount Base Faucet, Cerama Cartridges, 062X Swing Nozzle, Lever Handles & 00AA Wall Flanges, Installation kits & (2) 24" Flex Supply Hoses

Drawn

DHL

Checked

JRM

Approved

JHB

Scale:

1:4

Date:

05/31/11



T&S BRASS AND BRONZE WORKS, INC.

2 Saddleback Cove / P.O. Box 1088
Travelers Rest, SC 29690



REG. #A2601
ISO #9001

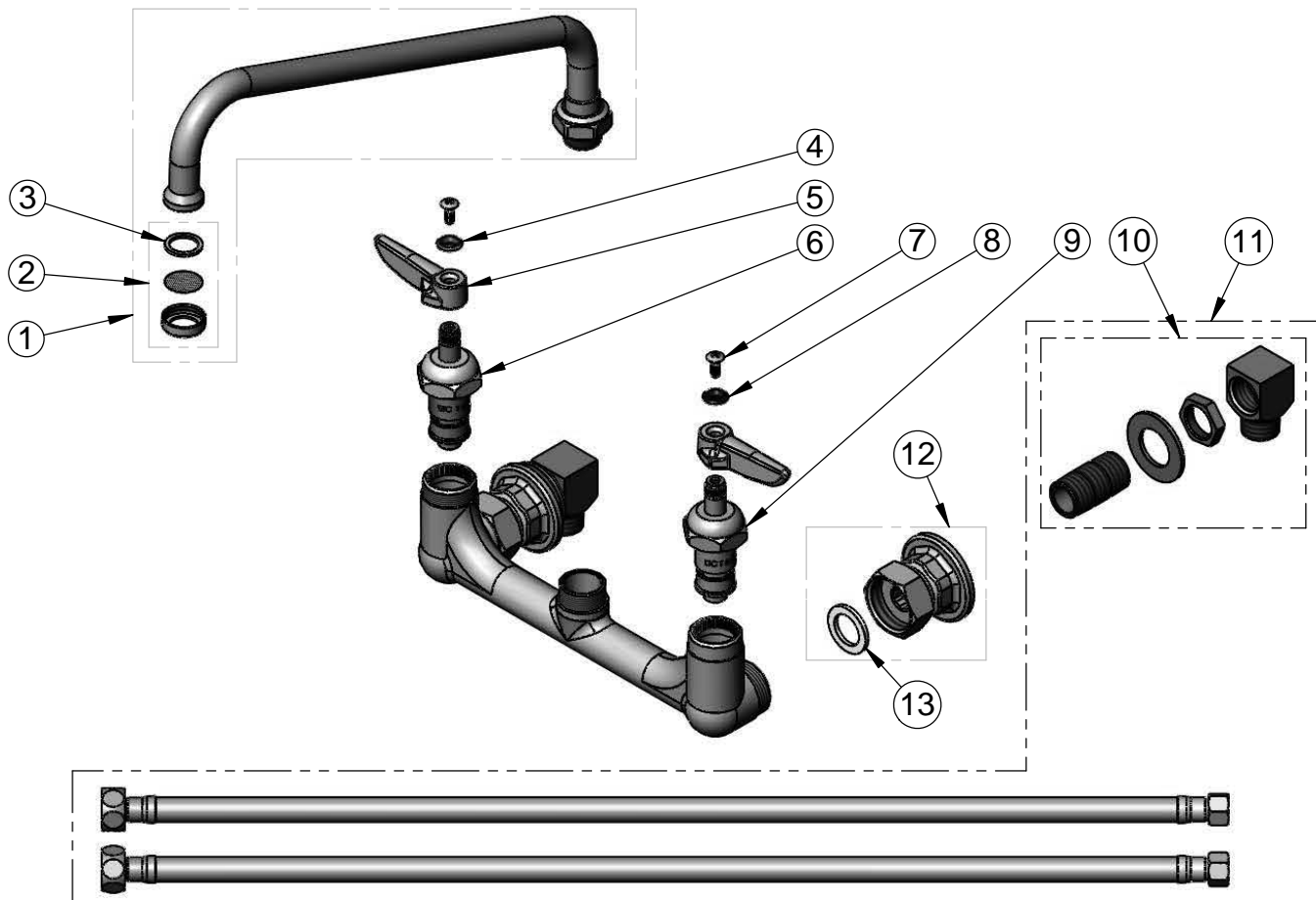
Model No.

B-0231-CR-KIT

Item No.

Travelers Rest, SC: 800-476-4103 • Simi Valley, CA: 800-423-0150 • Fax: 864-834-3518 • www.tsbrass.com

ITEM NO.	SALES NO.	DESCRIPTION
1	062X	12" Swing Nozzle Assembly
2	B-PT	Stream Regulator Assembly
3	001048-45	Nozzle Tip Washer
4	001661-45	Red Index-HW
5	001638-45	Lever Handle
6	011278-25	Cerama Cartridge RTC
7	000922-45	Lever Handle Screw
8	001660-45	Blue Index-CW
9	011279-25	Cerama Cartridge LTC
10	B-0230-K	Short EI Installation Kit
11	B-0230-KIT	Short EI Installation Kit w/ (2) Hoses
12	00AA	Flange Assembly
13	001019-45	Coupling Nut Washer



Product Specifications:

8" Wall Mount Base Faucet, Cerama Cartridges, 062X Swing Nozzle, Lever Handles & 00AA Wall Flanges, Installation kits & (2) 24" Flex Supply Hoses

Drawn

DHL

Checked

JRM

Approved

JHB

Scale:

NTS

Date:

05/31/11