



**T&S BRASS AND BRONZE WORKS, INC.**

2 Saddleback Cove / P.O. Box 1088  
Travelers Rest, SC 29690

Model No.

**B-0231-EE-A22CR**

Item No.

Travelers Rest, SC: 800-476-4103 • Simi Valley, CA: 800-423-0150 • Fax: 864-834-3518 • www.tsbrass.com

This Space for Architect/Engineer Approval

Job Name \_\_\_\_\_ Date \_\_\_\_\_

Model Specified \_\_\_\_\_ Quantity \_\_\_\_\_

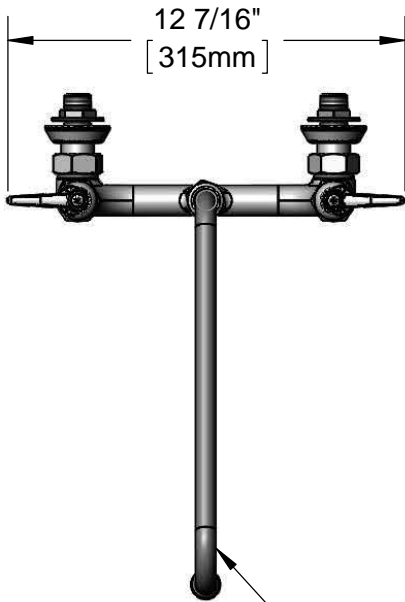
Customer/Wholesaler \_\_\_\_\_

Contractor \_\_\_\_\_

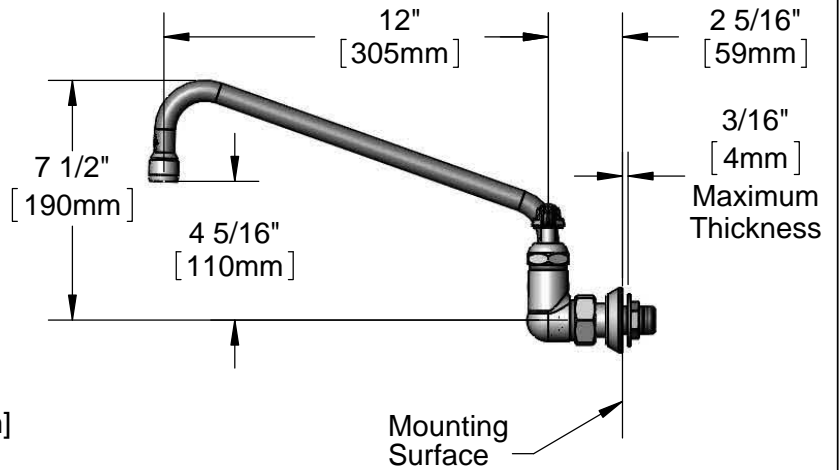
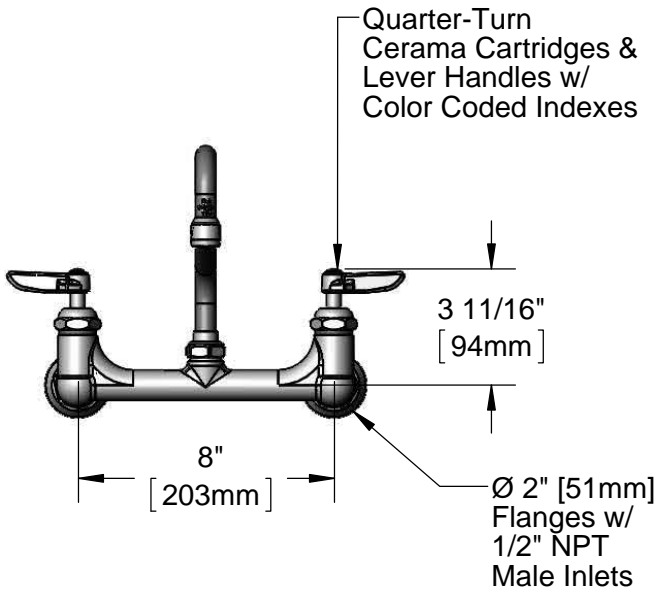
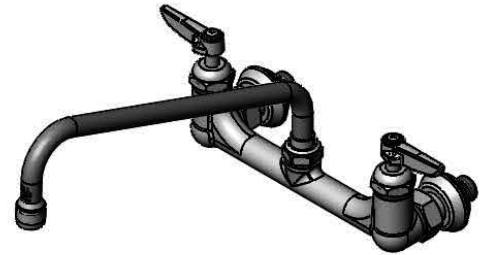
Architect/Engineer \_\_\_\_\_



**ADA Compliant**



12" Swing Nozzle w/  
B-0199-01  
2.2 GPM Aerator



**Rough-In Requirement:**  
(2) Ø 1" [25mm] Mounting Holes

**Product Specifications:**  
8" Wall Mount Mixing Faucet, Cerama Cartridges, Lever Handles,  
12" Swing Nozzle w/ 2.2 GPM Aerator & 1/2" NPT Male Inlets

**Product Compliance:**  
ASME A112.18.1 / CSA B125.1  
NSF 61 - Section 9  
NSF 372 (Low Lead Content)  
ANSI A117.1 (ADA)



# T&S BRASS AND BRONZE WORKS, INC.

2 Saddleback Cove / P.O. Box 1088  
Travelers Rest, SC 29690

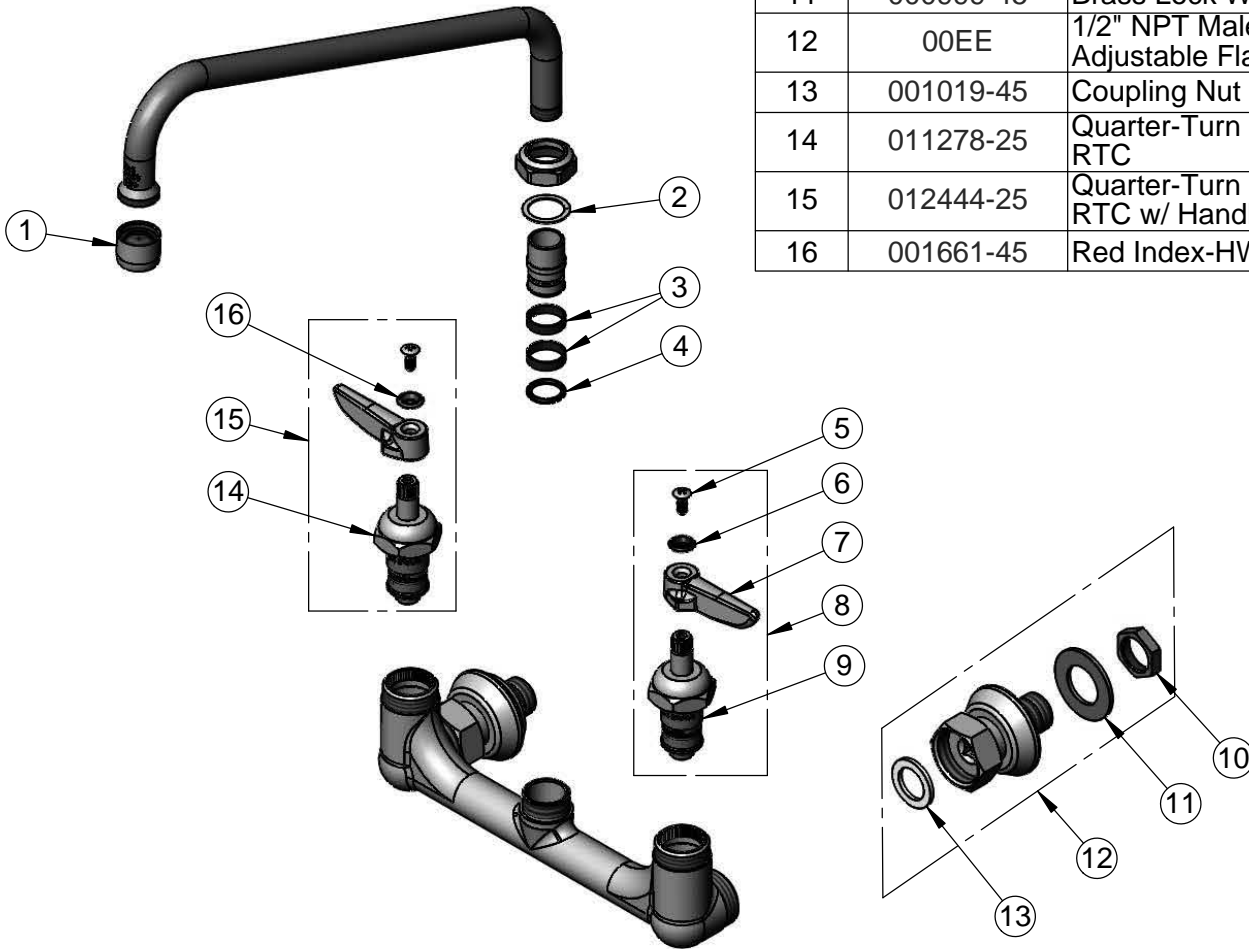
Model No.

**B-0231-EE-A22CR**

Item No.

Travelers Rest, SC: 800-476-4103 • Simi Valley, CA: 800-423-0150 • Fax: 864-834-3518 • www.tsbrass.com

ITEM NO.	SALES NO.	DESCRIPTION
1	B-0199-01	2.2 GPM Aerator, 55/64"-27 UN Female
2	009538-45	Swivel Washer
3	011429-45	Swivel Sleeves (2)
4	001074-45	O-Ring
5	000922-45	Lever Handle Screw
6	001660-45	Blue Index-CW
7	001638-45	Lever Handle
8	012445-25	Quarter-Turn Cerama Cartridge, LTC w/ Handle, Index & Screw
9	011279-25	Quarter-Turn Cerama Cartridge, LTC
10	002954-45	Shank Lock Nut
11	000999-45	Brass Lock Washer
12	00EE	1/2" NPT Male Inlet w/ Adjustable Flange
13	001019-45	Coupling Nut Washer
14	011278-25	Quarter-Turn Cerama Cartridge, RTC
15	012444-25	Quarter-Turn Cerama Cartridge, RTC w/ Handle, Index & Screw
16	001661-45	Red Index-HW



**Product Specifications:**

8" Wall Mount Mixing Faucet, Cerama Cartridges, Lever Handles, 12" Swing Nozzle w/ 2.2 GPM Aerator & 1/2" NPT Male Inlets

**Product Compliance:**

ASME A112.18.1 / CSA B125.1  
NSF 61 - Section 9  
NSF 372 (Low Lead Content)  
ANSI A117.1 (ADA)