



T&S BRASS AND BRONZE WORKS, INC.

2 Saddleback Cove / P.O. Box 1088
Travelers Rest, SC 29690

Model No.

B-0231-EE-A22

Item No.

Travelers Rest, SC: 800-476-4103 • Simi Valley, CA: 800-423-0150 • Fax: 864-834-3518 • www.tsbrass.com



ADA Compliant

This Space for Architect/Engineer Approval

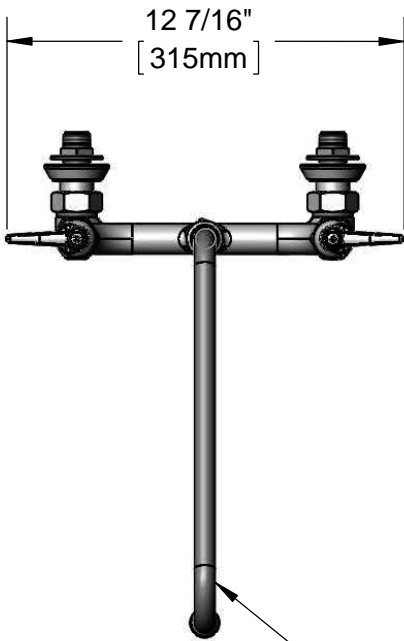
Job Name _____ Date _____

Model Specified _____ Quantity _____

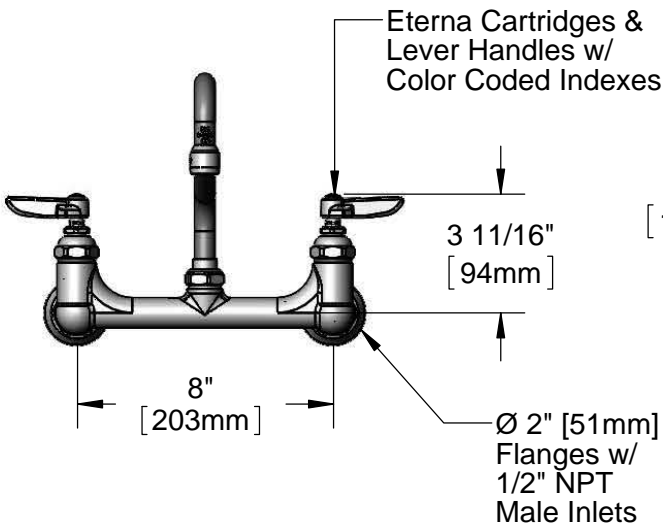
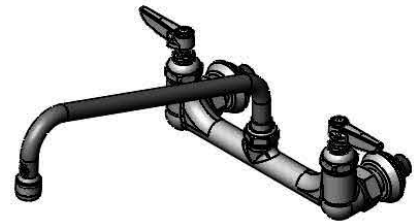
Customer/Wholesaler _____

Contractor _____

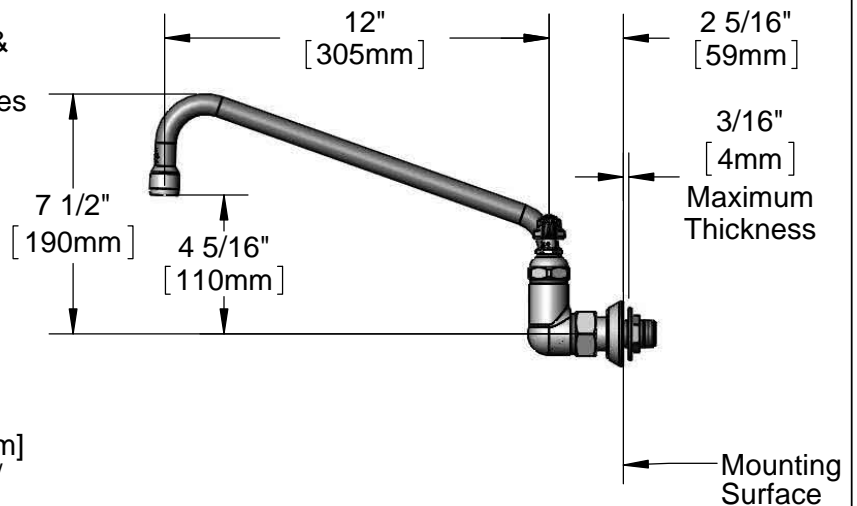
Architect/Engineer _____



12" Swing Nozzle w/
B-0199-01
2.2 GPM Aerator



Eterna Cartridges &
Lever Handles w/
Color Coded Indexes



Rough-In Requirement:
(2) Ø 1" [25mm] Mounting Holes

Product Specifications:
8" Wall Mount Mixing Faucet, Eterna Cartridges, Lever Handles,
12" Swing Nozzle w/ 2.2 GPM Aerator & 1/2" NPT Male Inlets

Product Compliance:
ASME A112.18.1 / CSA B125.1
NSF 61 - Section 9
NSF 372 (Low Lead Content)
ANSI A117.1 (ADA)



T&S BRASS AND BRONZE WORKS, INC.

2 Saddleback Cove / P.O. Box 1088
Travelers Rest, SC 29690

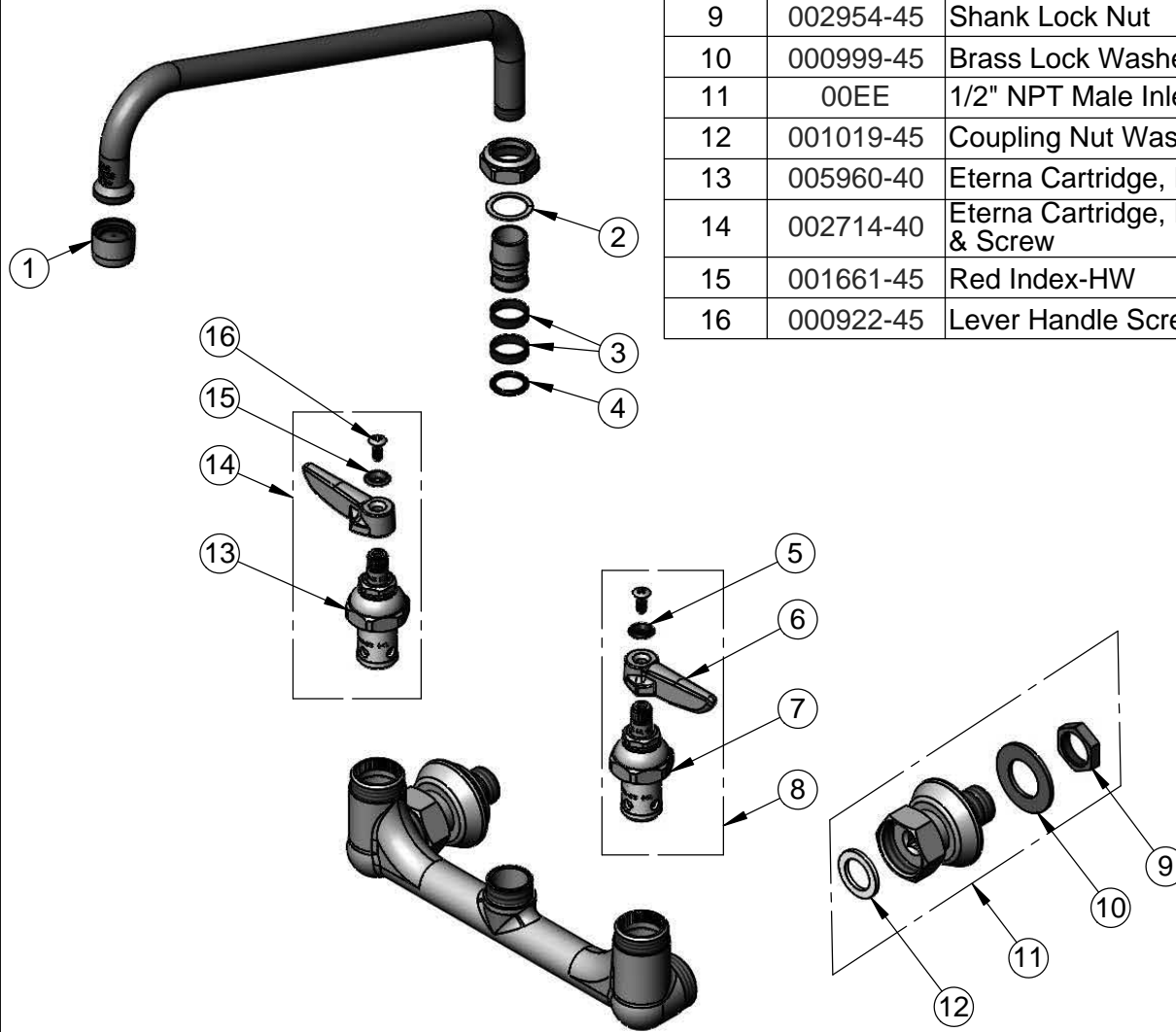
Model No.

B-0231-EE-A22

Item No.

Travelers Rest, SC: 800-476-4103 • Simi Valley, CA: 800-423-0150 • Fax: 864-834-3518 • www.tsbrass.com

ITEM NO.	SALES NO.	DESCRIPTION
1	B-0199-01	2.2 GPM Aerator, 55/64"-27 UN Female
2	009538-45	Swivel Washer
3	011429-45	Swivel Sleeves (2)
4	001074-45	O-Ring
5	001660-45	Blue Index-CW
6	001638-45	Lever Handle
7	005959-40	Eterna Cartridge, LTC
8	002713-40	Eterna Cartridge, LTC w/ Handle, Index & Screw
9	002954-45	Shank Lock Nut
10	000999-45	Brass Lock Washer
11	00EE	1/2" NPT Male Inlet w/ Adjustable Flange
12	001019-45	Coupling Nut Washer
13	005960-40	Eterna Cartridge, RTC
14	002714-40	Eterna Cartridge, RTC w/ Handle, Index & Screw
15	001661-45	Red Index-HW
16	000922-45	Lever Handle Screw



Product Specifications:
8" Wall Mount Mixing Faucet, Eterna Cartridges, Lever Handles,
12" Swing Nozzle w/ 2.2 GPM Aerator & 1/2" NPT Male Inlets

Product Compliance:
ASME A112.18.1 / CSA B125.1
NSF 61 - Section 9
NSF 372 (Low Lead Content)
ANSI A117.1 (ADA)