



T&S BRASS AND BRONZE WORKS, INC.

2 Saddleback Cove / P.O. Box 1088
Travelers Rest, SC 29690

Model No.

B-0231-EE-CR

Item No.

Travelers Rest, SC: 800-476-4103 • Simi Valley, CA: 800-423-0150 • Fax: 864-834-3518 • www.tsbrass.com

This Space for Architect/Engineer Approval

Job Name _____ Date _____

Model Specified _____ Quantity _____

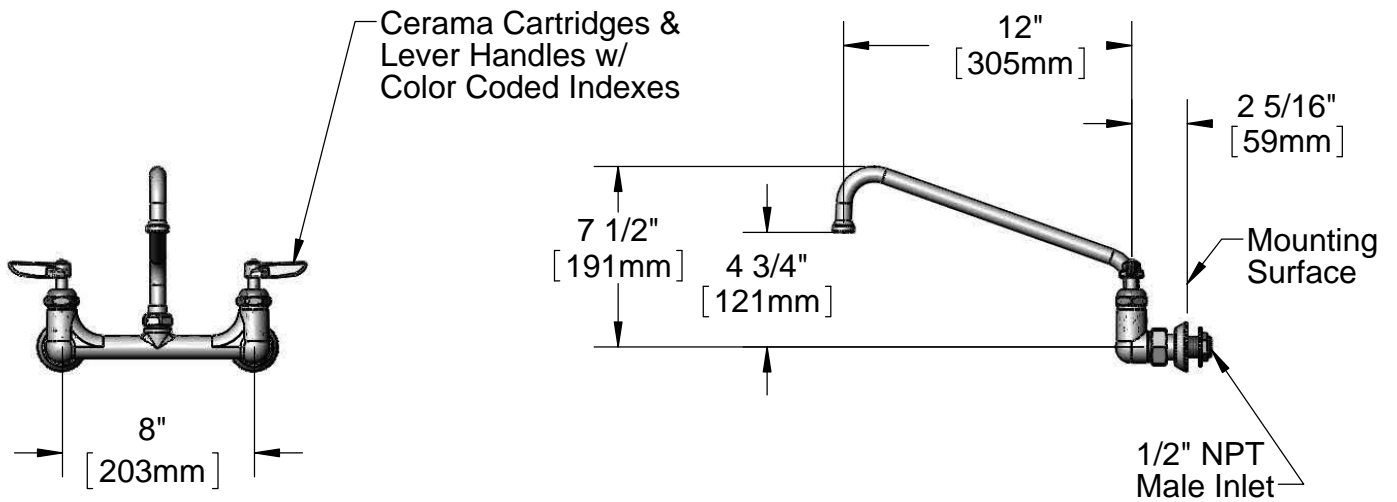
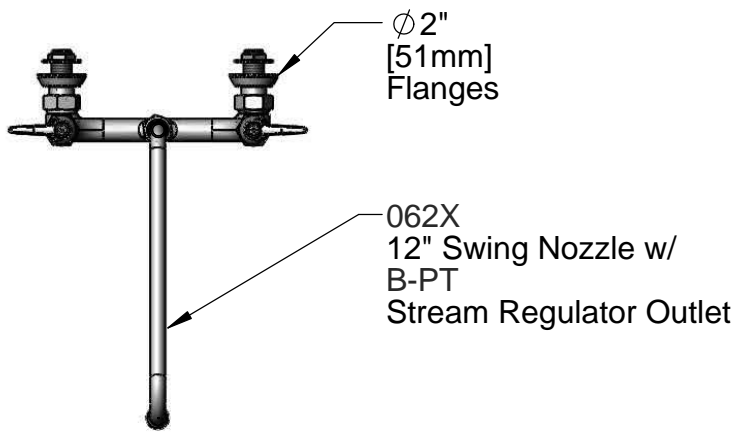
Customer/Wholesaler _____

Contractor _____

Architect/Engineer _____



ADA Compliant

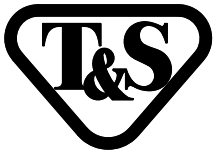


Note: Rough-In Requirement

(2) $\phi 1''$ [25mm] Mounting Holes

Product Specifications:
Double Pantry Faucet, Wall Mounted w/ Cerama Cartridges,
12" Swing Nozzle w/ B-PT Stream Regulator Outlet, Lever
Handles & 1/2" Male Inlets

Drawn KJG	Checked GEF	Approved JHB
Scale: 1:8		Date: 03/16/12



T&S BRASS AND BRONZE WORKS, INC.

2 Saddleback Cove / P.O. Box 1088
Travelers Rest, SC 29690

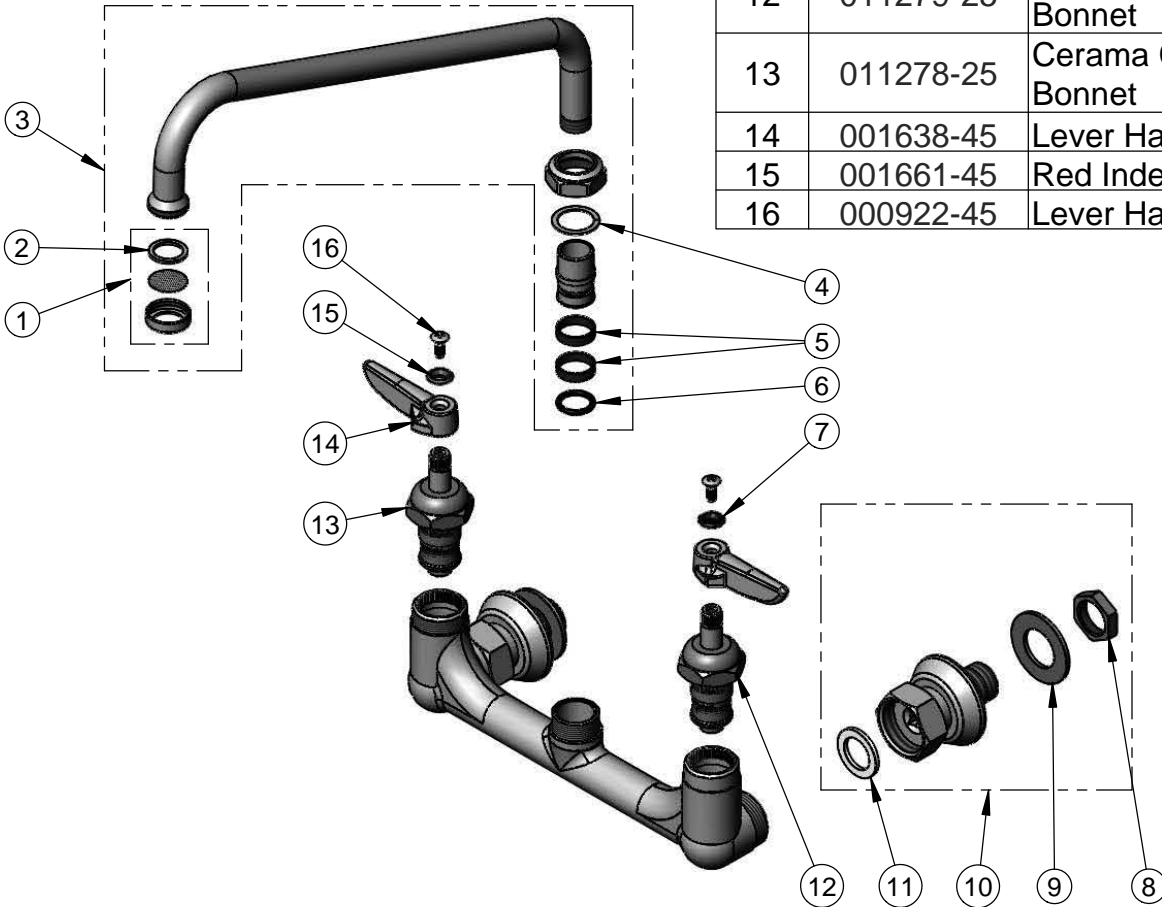
Model No.

B-0231-EE-CR

Item No.

Travelers Rest, SC: 800-476-4103 • Simi Valley, CA: 800-423-0150 • Fax: 864-834-3518 • www.tsbrass.com

ITEM NO.	SALES NO.	DESCRIPTION
1	B-PT	Stream Regulator
2	001048-45	Nozzle Tip Washer
3	062X	12" Swing Nozzle Assembly w/ B-PT Stream Regulator
4	009538-45	Swivel Washer
5	011429-45	Swivel Sleeves (2)
6	001074-45	O-Ring
7	001660-45	Blue Index-CW
8	002954-45	Shank Lock Nut
9	000999-45	Brass Lock Washer
10	00EE	1/2" NPT Male Inlet Assembly
11	001019-45	Coupling Nut Washer
12	011279-25	Cerama Cartridge LTC w/ Bonnet
13	011278-25	Cerama Cartridge RTC w/ Bonnet
14	001638-45	Lever Handle
15	001661-45	Red Index-HW
16	000922-45	Lever Handle Screw



Product Specifications:

Double Pantry Faucet, Wall Mounted w/ Cerama Cartridges,
12" Swing Nozzle w/ B-PT Stream Regulator Outlet, Lever
Handles & 1/2" Male Inlets

Drawn

KJG

Checked

GEF

Approved

JHB

Scale:

NTS

Date:

03/16/12