



T&S BRASS AND BRONZE WORKS, INC.

2 Saddleback Cove / P.O. Box 1088
Travelers Rest, SC 29690

Model No.

B-0232-ELK

Item No.

Travelers Rest, SC: 800-476-4103 • Simi Valley, CA: 800-423-0150 • Fax: 864-834-3518 • www.tsbrass.com



ADA Compliant

This Space for Architect/Engineer Approval

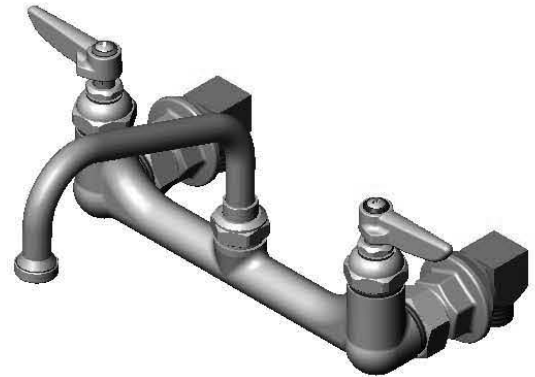
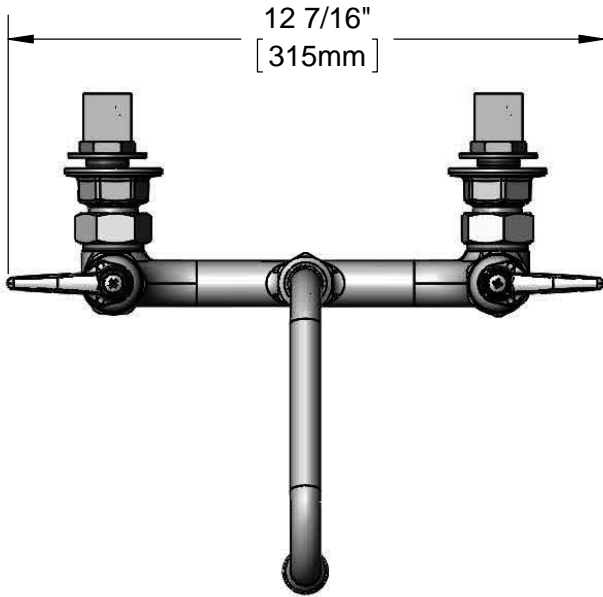
Job Name _____ Date _____

Model Specified _____ Quantity _____

Customer/Wholesaler _____

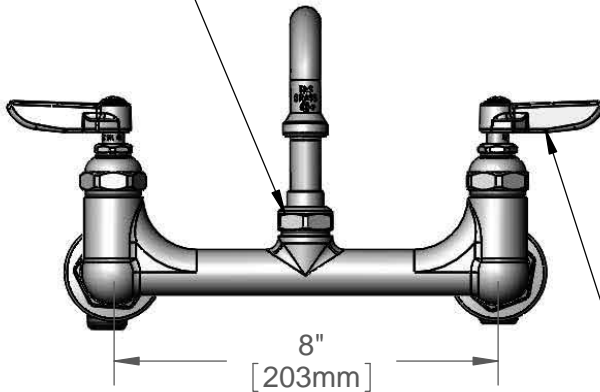
Contractor _____

Architect/Engineer _____

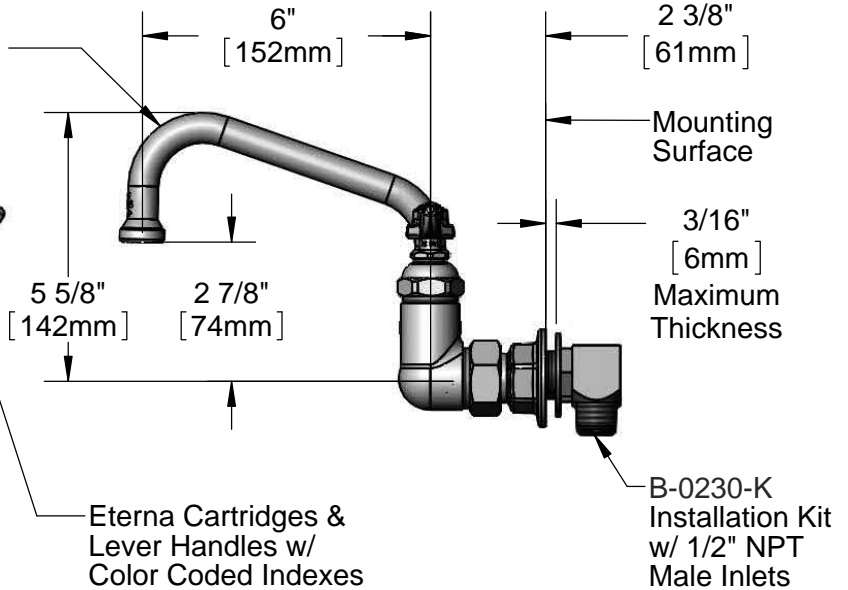


059X
6" Swing Nozzle w/
Stream Regulator Outlet

Swivel Joint



Adjustable From
7 3/4" to 8 1/4"
[197mm to 210mm]



Eterna Cartridges &
Lever Handles w/
Color Coded Indexes

Product Specifications:

8" Wall Mount Mixing Faucet, Eterna Cartridges, Lever Handles, 6" Swing Nozzle & 1/2" NPT Female Inlets w/ 1/2" NPT Male Supply Nipple Kit

Product Compliance:

ASME A112.18.1 / CSA B125.1
NSF 61 - Section 9
NSF 372 (Low Lead Content)
ANSI A117.1 (ADA)



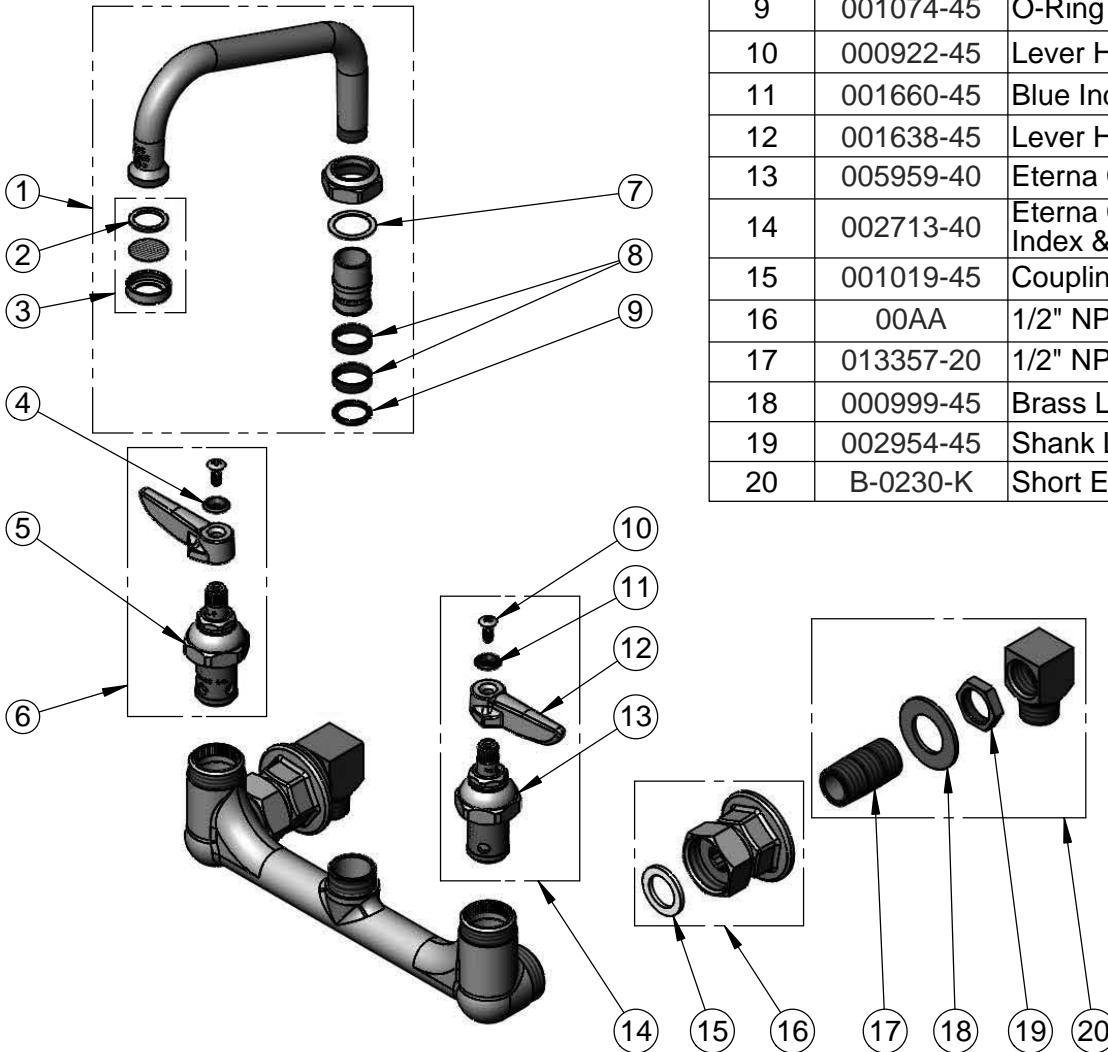
T&S BRASS AND BRONZE WORKS, INC.
 2 Saddleback Cove / P.O. Box 1088
 Travelers Rest, SC 29690

Model No.
B-0232-ELK

Item No.

Travelers Rest, SC: 800-476-4103 • Simi Valley, CA: 800-423-0150 • Fax: 864-834-3518 • www.tsbrass.com

ITEM NO.	SALES NO.	DESCRIPTION
1	059X	6" Swing Nozzle
2	001048-45	Nozzle Tip Washer
3	B-PT	Stream Regulator Outlet
4	001661-45	Red Index-HW
5	005960-40	Eterna Cartridge, RTC
6	002714-40	Eterna Cartridge, RTC w/ Handle, Index & Screw
7	009538-45	Swivel Washer
8	011429-45	Swivel Sleeves (2)
9	001074-45	O-Ring
10	000922-45	Lever Handle Screw
11	001660-45	Blue Index-CW
12	001638-45	Lever Handle
13	005959-40	Eterna Cartridge, LTC
14	002713-40	Eterna Cartridge, LTC w/ Handle, Index & Screw
15	001019-45	Coupling Nut Washer
16	00AA	1/2" NPT Female Eccentric Flange
17	013357-20	1/2" NPT x 1-5/8" Lg. Close Nipple
18	000999-45	Brass Lock Washer
19	002954-45	Shank Lock Nut
20	B-0230-K	Short Elbow Installation Kit



Product Specifications:

8" Wall Mount Mixing Faucet, Eterna Cartridges, Lever Handles, 6" Swing Nozzle & 1/2" NPT Female Inlets w/ 1/2" NPT Male Supply Nipple Kit

Product Compliance:

ASME A112.18.1 / CSA B125.1
 NSF 61 - Section 9
 NSF 372 (Low Lead Content)
 ANSI A117.1 (ADA)