



T&S BRASS AND BRONZE WORKS, INC.

2 Saddleback Cove / P.O. Box 1088
Travelers Rest, SC 29690

Model No.

B-0232-F1-CR-SC

Item No.

Travelers Rest, SC: 800-476-4103 • Simi Valley, CA: 800-423-0150 • Fax: 864-834-3518 • www.tsbrass.com



ADA Compliant

This Space for Architect/Engineer Approval

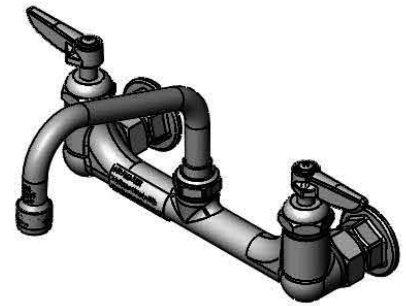
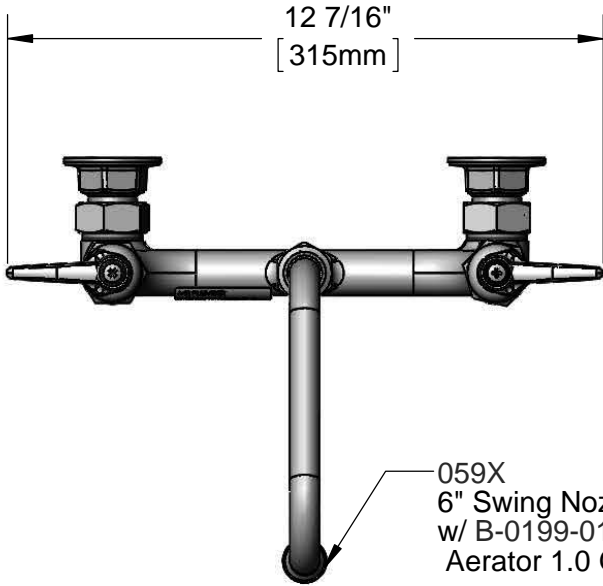
Job Name _____ Date _____

Model Specified _____ Quantity _____

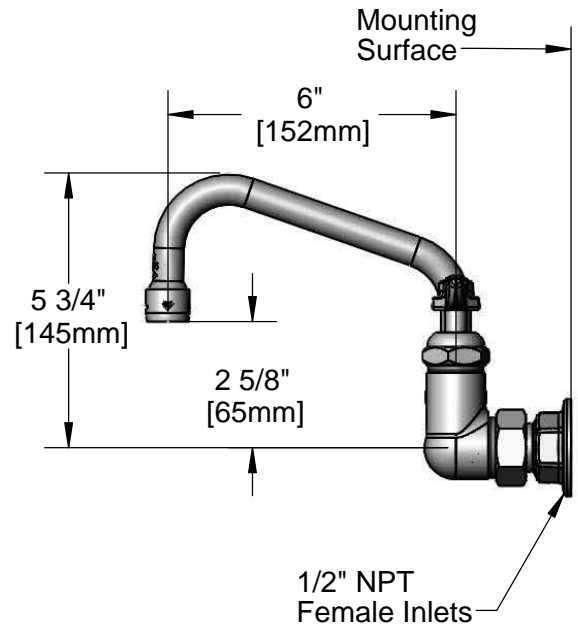
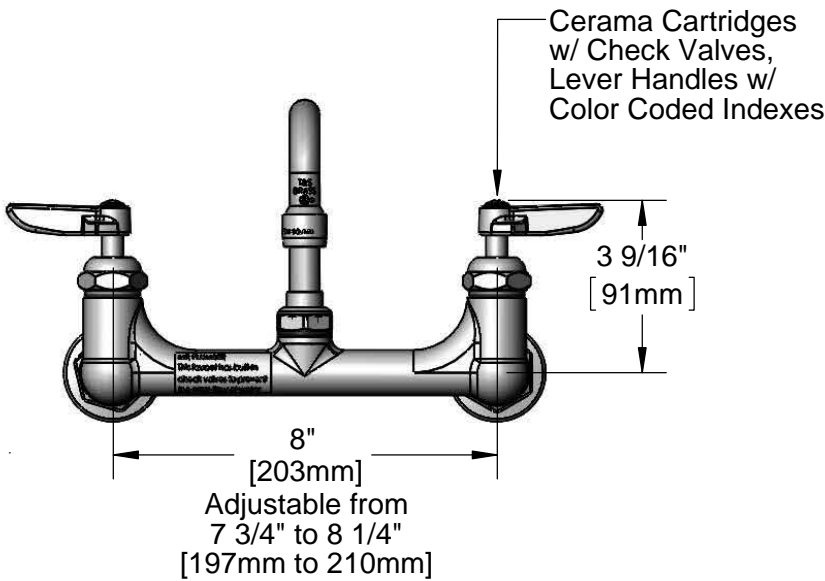
Customer/Wholesaler _____

Contractor _____

Architect/Engineer _____



059X
6" Swing Nozzle
w/ B-0199-01-F10
Aerator 1.0 GPM



Product Specifications:

8" c/c Wall Mount Mixing Faucet, Cerama Cartridges w/ Check Valves, Lever Handles, 6" Swing Nozzle, 1.0 GPM Aerator & 1/2" Female Inlets

Product Compliance:

ASME A112.18.1 / CSA B125.1
NSF 61 - Section 9
NSF 372 (Low Lead Content)
ANSI A117.1 (ADA)



T&S BRASS AND BRONZE WORKS, INC.

2 Saddleback Cove / P.O. Box 1088
Travelers Rest, SC 29690

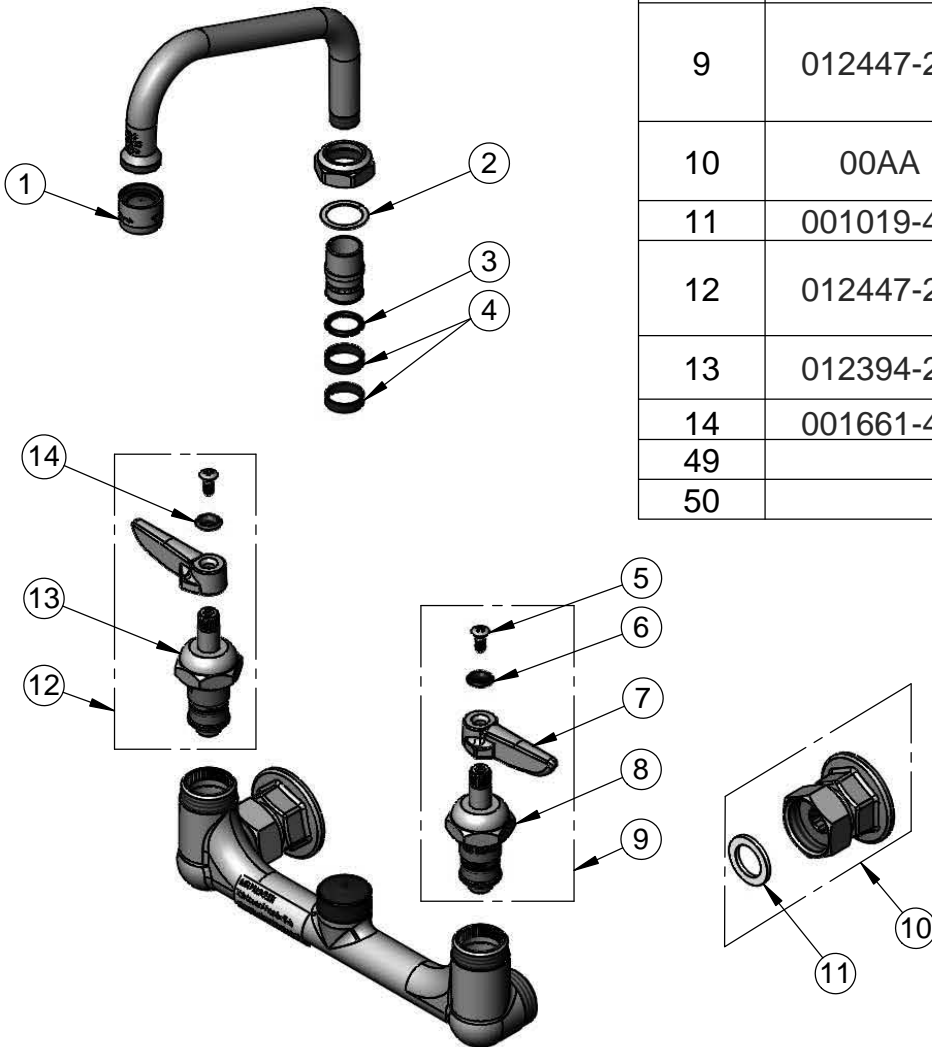
Model No.

B-0232-F1-CR-SC

Item No.

Travelers Rest, SC: 800-476-4103 • Simi Valley, CA: 800-423-0150 • Fax: 864-834-3518 • www.tsbrass.com

ITEM NO.	SALES NO.	DESCRIPTION
1	B-0199-01-F10	1.0 GPM Aerator, Female
2	009538-45	Swivel Washer
3	001074-45	O-Ring
4	011429-45	Swivel Sleeves (2)
5	000922-45	Lever Handle Screw
6	001660-45	Blue Index-CW
7	001638-45	Lever Handle
8	012395-25	Quarter-Turn Cerama Cartridge, LTC
9	012447-25	Quarter-Turn Cerama Cartridge, LTC w/ Check Valve, Handle, Index & Screw
10	00AA	1/2" NPT Female Eccentric Flange
11	001019-45	Coupling Nut Washer
12	012447-25	Quarter-Turn Cerama Cartridge, RTC w/ Check Valve, Handle, Index & Screw
13	012394-25	Quarter-Turn Cerama Cartridge, RTC
14	001661-45	Red Index-HW
49		Plastic Cap
50		Label Tape "Mr Plumber"



Product Specifications:

8" c/c Wall Mount Mixing Faucet, Cerama Cartridges w/ Check Valves, Lever Handles, 6" Swing Nozzle, 1.0 GPM Aerator & 1/2" Female Inlets

Product Compliance:

ASME A112.18.1 / CSA B125.1
NSF 61 - Section 9
NSF 372 (Low Lead Content)
ANSI A117.1 (ADA)