



# T&S BRASS AND BRONZE WORKS, INC.

2 Saddleback Cove / P.O. Box 1088  
Travelers Rest, SC 29690

Model No.

**B-0234-EE**

Item No.

Travelers Rest, SC: 800-476-4103 • Simi Valley, CA: 800-423-0150 • Fax: 864-834-3518 • www.tsbrass.com



**ADA Compliant**

This Space for Architect/Engineer Approval

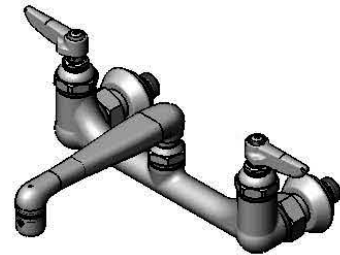
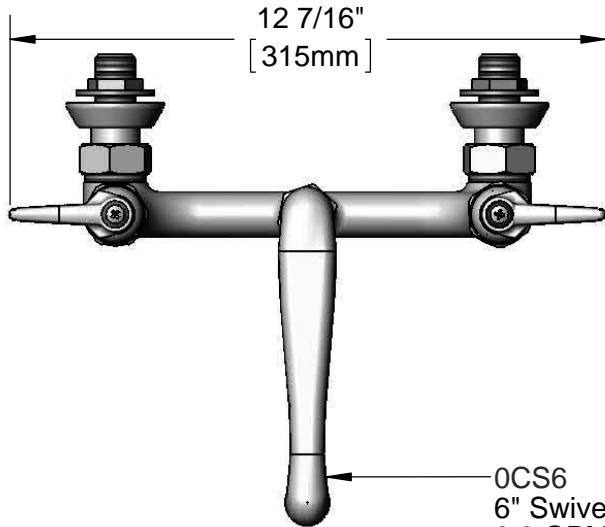
Job Name \_\_\_\_\_ Date \_\_\_\_\_

Model Specified \_\_\_\_\_ Quantity \_\_\_\_\_

Customer/Wholesaler \_\_\_\_\_

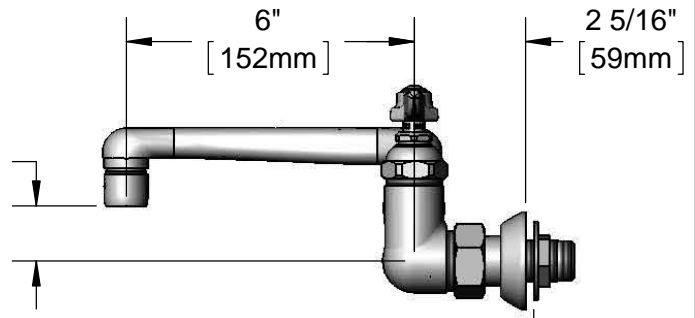
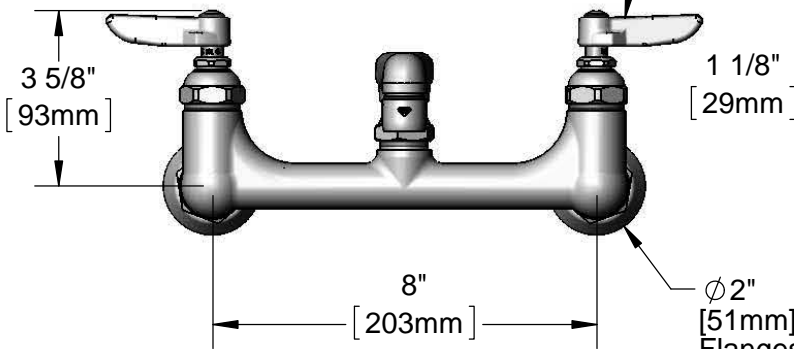
Contractor \_\_\_\_\_

Architect/Engineer \_\_\_\_\_



OCS6  
6" Swivel Cast Spout w/  
2.2 GPM Aerator. Rigid  
Conversion Requires  
014200-45 Lock Washer  
(Included)

Eterna Cartridges & Lever  
Handles w/ Color Coded  
Indexes



1 1/8"  
[29mm]  
Ø 2"  
[51mm]  
Flanges w/  
1/2" NPT  
Male Inlets

3/16"  
[4mm]  
Maximum  
Thickness

Mounting  
Surface

Rough-In Requirement:  
(2) Ø 1" [25mm] Mounting Holes

Product Specifications:  
8" Wall Mount Mixing Faucet, Eterna Cartridges, Lever Handles, 6" Cast  
Swing Spout w/ 2.2 GPM Aerator and 1/2" NPT Male Inlets

Product Compliance:  
ASME A112.18.1 / CSA B125.1  
NSF 61 - Section 9  
NSF 372 (Low Lead Content)  
ANSI A117.1 (ADA)



# T&S BRASS AND BRONZE WORKS, INC.

2 Saddleback Cove / P.O. Box 1088  
Travelers Rest, SC 29690

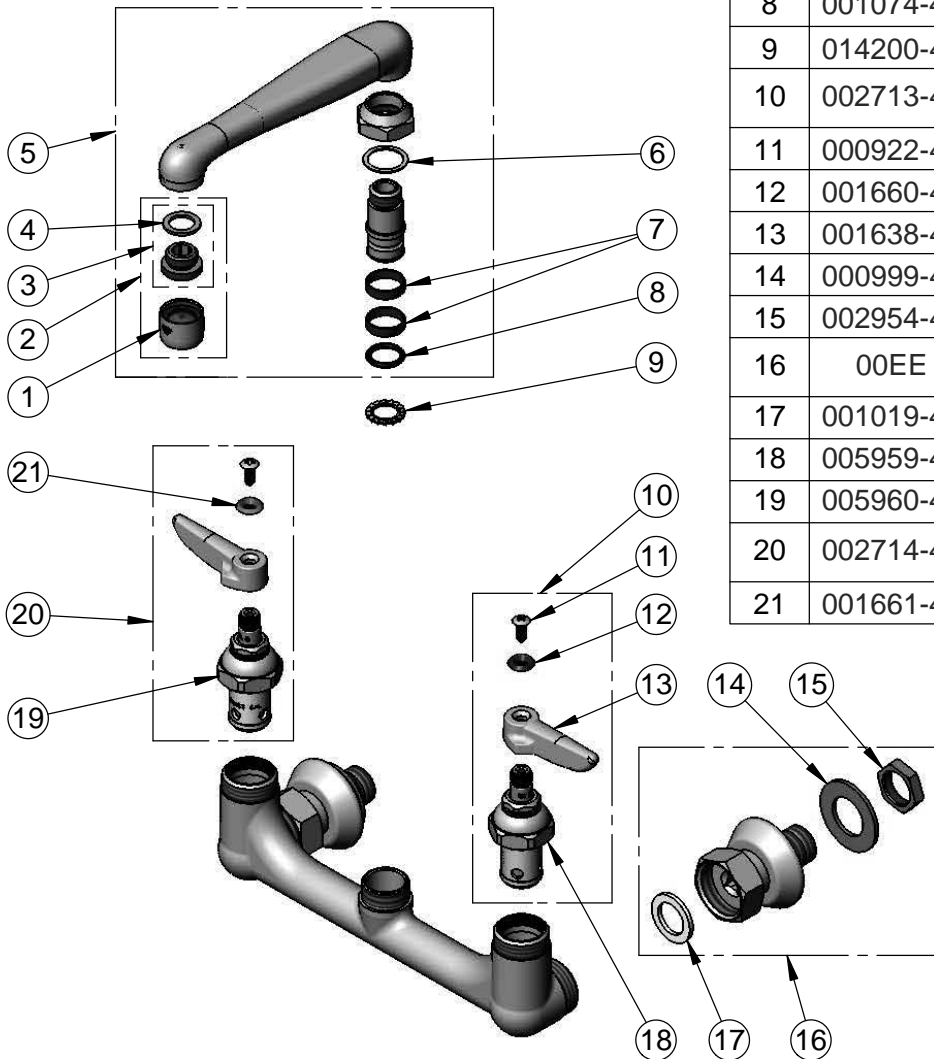
Model No.

**B-0234-EE**

Item No.

Travelers Rest, SC: 800-476-4103 • Simi Valley, CA: 800-423-0150 • Fax: 864-834-3518 • www.tsbrass.com

ITEM NO.	SALES NO.	DESCRIPTION
1	B-0199-01	2.2 GPM Aerator, 55/64"-27 UN Female
2	B-0199-02	2.2 GPM Aerator, 3/8" NPSM Male
3	044A	3/8" to Aerator Adapter
4	001043-45	Washer
5	0CS6	6" Swivel Cast Spout w/ 2.2 GPM Aerator
6	009E	Plastic Washer
7	011429-45	Swivel Sleeves (2)
8	001074-45	O-Ring
9	014200-45	Star Washer, Anti-Rotation
10	002713-40	Eterna Cartridge, LTC w/ Handle, Index & Screw
11	000922-45	Lever Handle Screw
12	001660-45	Blue Index-CW
13	001638-45	Lever Handle
14	000999-45	Brass Lock Washer
15	002954-45	Shank Lock Nut
16	00EE	1/2" NPT Male Inlet w/ Adjustable Flange
17	001019-45	Coupling Nut Washer
18	005959-40	Eterna Cartridge, LTC
19	005960-40	Eterna Cartridge, RTC
20	002714-40	Eterna Cartridge, RTC w/ Handle, Index & Screw
21	001661-45	Red Index-HW



**Product Specifications:**

8" Wall Mount Mixing Faucet, Eterna Cartridges, Lever Handles, 6" Cast Swing Spout w/ 2.2 GPM Aerator and 1/2" NPT Male Inlets

**Product Compliance:**

ASME A112.18.1 / CSA B125.1  
NSF 61 - Section 9  
NSF 372 (Low Lead Content)  
ANSI A117.1 (ADA)