

T&S BRASS AND BRONZE WORKS, INC.

2 Saddleback Cove / P.O. Box 1088
Travelers Rest, SC 29690

Model No.

B-0235-12FS-35A

Item No.

Travelers Rest, SC: 800-476-4103 • Simi Valley, CA: 800-423-0150 • Fax: 864-834-3518 • www.tsbrass.com

This Space for Architect/Engineer Approval

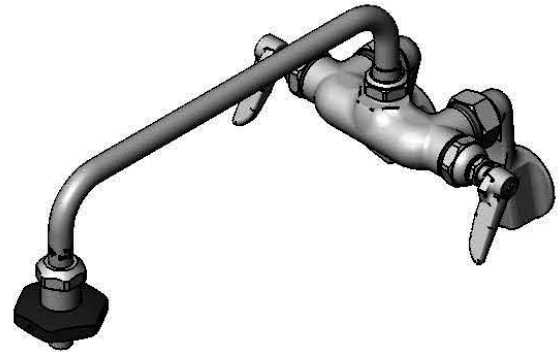
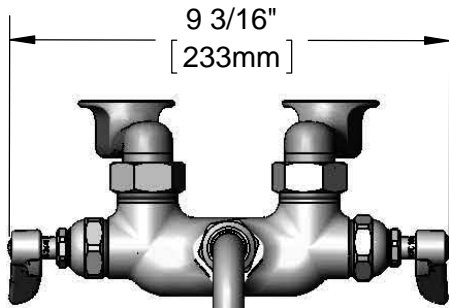
Job Name _____ Date _____

Model Specified _____ Quantity _____

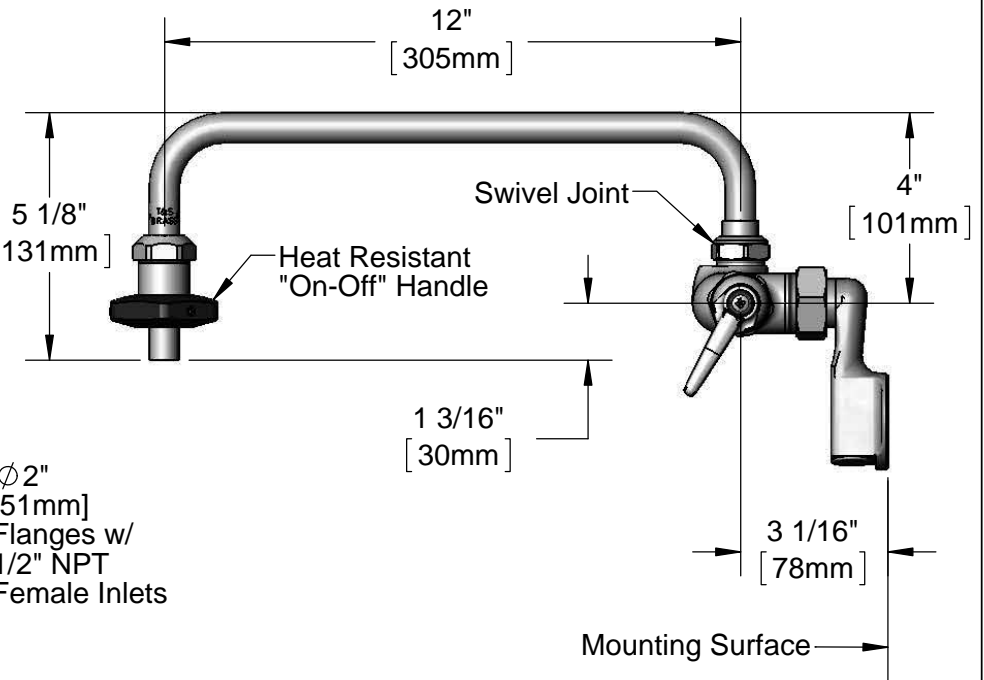
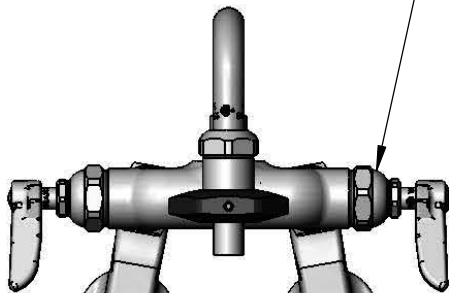
Customer/Wholesaler _____

Contractor _____

Architect/Engineer _____



Eterna Cartridges w/
Spring Checks &
Lever Handles w/
Color Coded Indexes



4" [102mm]
Adjustable from
2 1/4" to 8 1/4"
[57mm to 210mm]
Above or Below
Centerline

Ø2" [51mm]
Flanges w/
1/2" NPT
Female Inlets

Product Specifications:

Wall Mount Faucet, Eterna Cartridges w/ Spring Checks, Lever Handles, 12" Double Joint Front Section Swing Nozzle w/ Black Heat Resistant "On-Off" Handle Outlet & 1/2" NPT Female Adjustable Inlets

Product Compliance:

ASME A112.18.1 / CSA B125.1
NSF 61 - Section 9
NSF 372 (Low Lead Content)



T&S BRASS AND BRONZE WORKS, INC.

2 Saddleback Cove / P.O. Box 1088
Travelers Rest, SC 29690

Model No.

B-0235-12FS-35A

Item No.

Travelers Rest, SC: 800-476-4103 • Simi Valley, CA: 800-423-0150 • Fax: 864-834-3518 • www.tsbrass.com

ITEM NO.	SALES NO.	DESCRIPTION
1	002712-40	Eterna Cartridge, RTC w/ Spring Check, Handle, Index & Screw
2	001661-45	Red Index-HW
3	000936-45	Handle Set Screw
4	001126-20	Black Heat Resistant Handle w/ (2) Set Screws
5	000587-25	Spout Body
6	001498-25	Spout
7	001089-45	Seal
8	003426-45	O-Ring
9	035A	Outlet
10	002869-40	12" Double Joint Front Section
11	009538-45	Swivel Washer
12	011429-45	Swivel Sleeves (2)
13	001074-45	O-Ring
14	00GG	Flange Assembly, 1/2" NPT, Adjustable
15	012443-40	Eterna Cartridge, RTC w/ Spring Check
16	001019-45	Coupling Nut Washer
17	002711-40	Eterna Cartridge, LTC w/ Spring Check, Handle, Index & Screw
18	001660-45	Blue Index-CW
19	000922-45	Lever Handle Screw
20	001638-45	Lever Handle
21	012442-40	Eterna Cartridge, LTC w/ Spring Check

Product Specifications:
Wall Mount Faucet, Eterna Cartridges w/ Spring Checks, Lever Handles, 12" Double Joint Front Section Swing Nozzle w/ Black Heat Resistant "On-Off" Handle Outlet & 1/2" NPT Female Adjustable Inlets

Product Compliance:
ASME A112.18.1 / CSA B125.1
NSF 61 - Section 9
NSF 372 (Low Lead Content)