

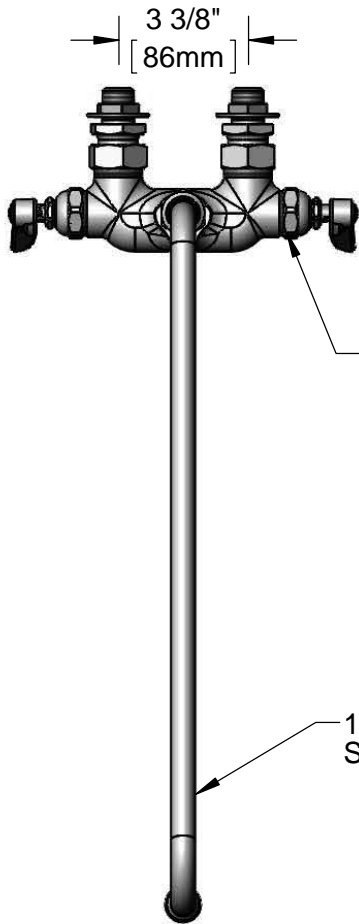


**T&S BRASS AND BRONZE WORKS, INC.**  
 2 Saddleback Cove / P.O. Box 1088  
 Travelers Rest, SC 29690

Model No.  
**B-0235-CC**

Item No.

Travelers Rest, SC: 800-476-4103 • Simi Valley, CA: 800-423-0150 • Fax: 864-834-3518 • www.tsbrass.com



Eterna Cartridges & Lever Handles w/ Color Coded Indexes



**ADA Compliant**

This Space for Architect/Engineer Approval

Job Name \_\_\_\_\_ Date \_\_\_\_\_

Model Specified \_\_\_\_\_ Quantity \_\_\_\_\_

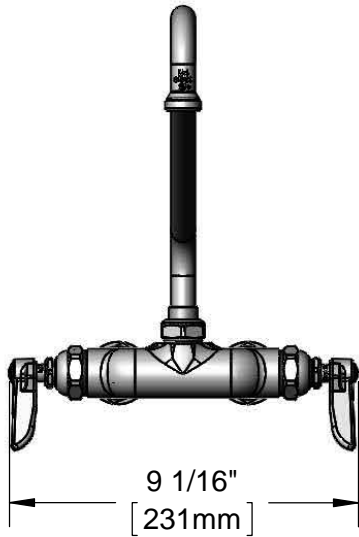
Customer/Wholesaler \_\_\_\_\_

Contractor \_\_\_\_\_

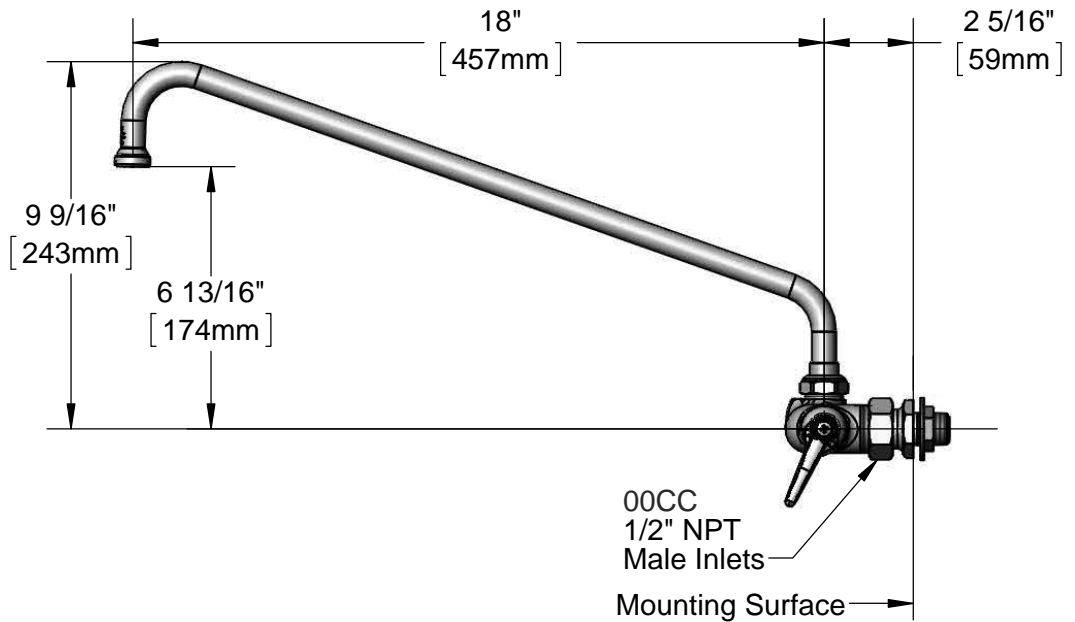
Architect/Engineer \_\_\_\_\_



18" Swing Nozzle w/ Stream Regulator Outlet



9 1/16"  
[231mm]



00CC  
1/2" NPT  
Male Inlets

Mounting Surface

Product Specifications:  
 Wall Mount Faucet, Eterna Cartridges, Lever Handles, 18" Swing Nozzle w/ Stream Regulator Outlet and Adjustable Inlets

Product Compliance:  
 ASME A112.18.1 / CSA B125.1  
 NSF 61 - Section 9  
 NSF 372 (Low Lead Content)  
 ANSI A117.1 (ADA)



# T&S BRASS AND BRONZE WORKS, INC.

2 Saddleback Cove / P.O. Box 1088  
Travelers Rest, SC 29690

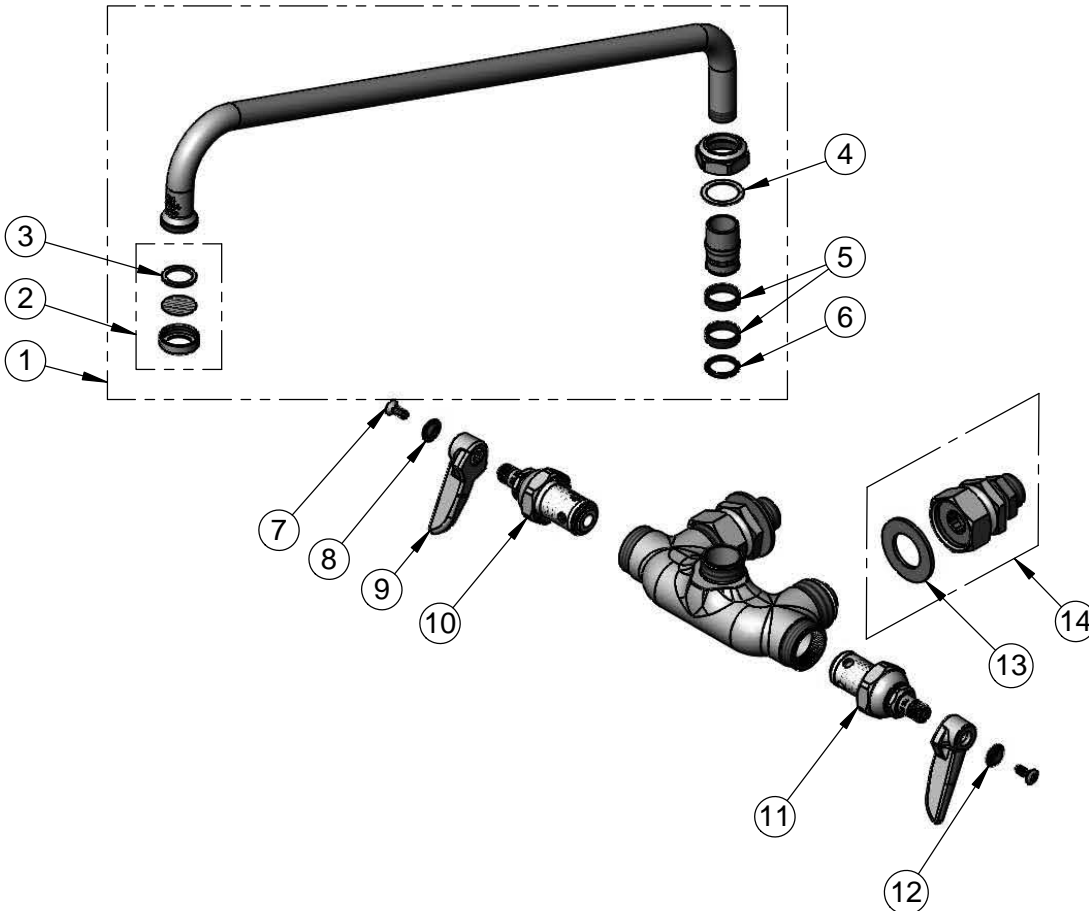
Model No.

**B-0235-CC**

Item No.

Travelers Rest, SC: 800-476-4103 • Simi Valley, CA: 800-423-0150 • Fax: 864-834-3518 • www.tsbrass.com

ITEM NO.	SALES NO.	DESCRIPTION
1	065X	18" Swing Nozzle
2	B-PT	Stream Regulator Outlet
3	001048-45	Nozzle Tip Washer
4	009538-45	Swivel Washer
5	011429-45	Swivel Sleeves (2)
6	001074-45	O-Ring
7	000922-45	Lever Handle Screw
8	001661-45	Red Index-HW
9	001638-45	Lever Handle
10	005960-40	Eterna Cartridge, RTC
11	005959-40	Eterna Cartridge, LTC
12	001660-45	Blue Index-CW
13	000999-45	Brass Lock Washer
14	00CC	1/2" NPT Male Inlet Flange



**Product Specifications:**

Wall Mount Faucet, Eterna Cartridges, Lever Handles, 18" Swing Nozzle w/ Stream Regulator Outlet and Adjustable Inlets

**Product Compliance:**

ASME A112.18.1 / CSA B125.1  
NSF 61 - Section 9  
NSF 372 (Low Lead Content)  
ANSI A117.1 (ADA)