



T&S BRASS AND BRONZE WORKS, INC.

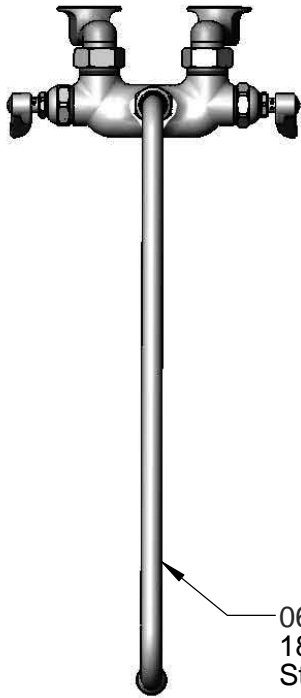
2 Saddleback Cove / P.O. Box 1088
Travelers Rest, SC 29690

Model No.

B-0235

Item No.

Travelers Rest, SC: 800-476-4103 • Simi Valley, CA: 800-423-0150 • Fax: 864-834-3518 • www.tsbrass.com



065X
18" Swing Nozzle w/
Stream Regulator Outlet



ADA Compliant

This Space for Architect/Engineer Approval

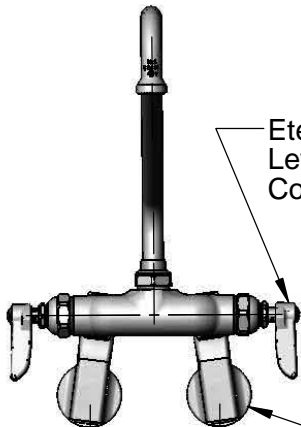
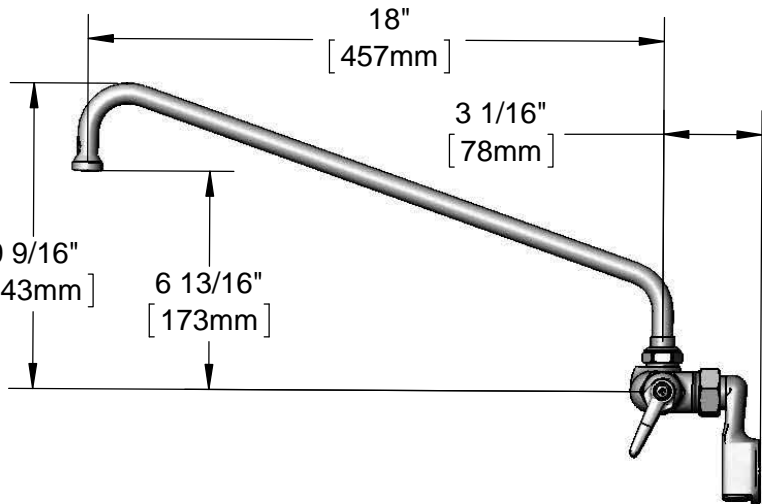
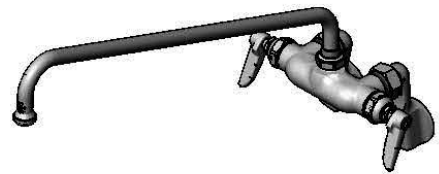
Job Name _____ Date _____

Model Specified _____ Quantity _____

Customer/Wholesaler _____

Contractor _____

Architect/Engineer _____



Eterna Cartridges &
Lever Handles w/
Color Coded Indexes

Ø 2" [51mm]
Flange w/
1/2" NPT
Female Inlet

Adjustable from
2 1/4" to 8 1/4"
[57mm to 210mm]
Above or Below Centerline

Product Specifications:

Wall Mount Mixing Faucet w/ Eterna Cartridges, 18" Swing Nozzle w/ Stream Regulator Outlet, Lever Handles & Adjustable Inlets

Product Compliance:

ASME A112.18.1 / CSA B125.1
NSF 61 - Section 9
NSF 372 (Low Lead Content)
ANSI A117.1 (ADA)



T&S BRASS AND BRONZE WORKS, INC.

2 Saddleback Cove / P.O. Box 1088
Travelers Rest, SC 29690

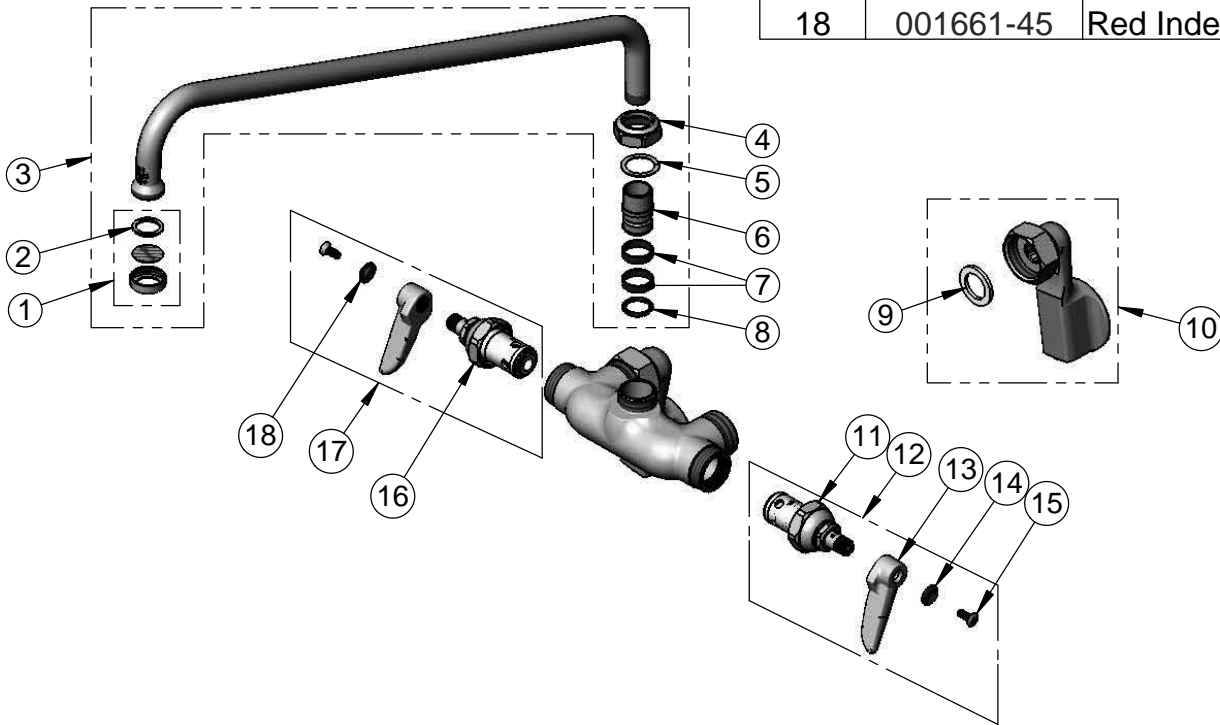
Model No.

B-0235

Item No.

Travelers Rest, SC: 800-476-4103 • Simi Valley, CA: 800-423-0150 • Fax: 864-834-3518 • www.tsbrass.com

ITEM NO.	SALES NO.	DESCRIPTION
1	B-PT	Stream Regulator Outlet
2	001048-45	Nozzle Tip Washer
3	065X	18" Swing Nozzle
4	009536-25	Swivel Nut
6	011430-25	Swivel Piece
5	009538-45	Swivel Washer
7	011429-45	Swivel Sleeves (2)
8	001074-45	O-Ring
9	001019-45	Coupling Nut Washer
10	00GG	1/2" NPT Female Adjustable Flange
11	005959-40	Eterna Cartridge, LTC
12	002713-40	Eterna Cartridge, LTC w/ Handle, Index and Screw
13	001638-45	Lever Handle
14	001660-45	Blue Index-CW
15	000922-45	Lever Handle Screw
16	005960-40	Eterna Cartridge, RTC
17	002714-40	Eterna Cartridge, RTC w/ Handle, Index and Screw
18	001661-45	Red Index-HW



Product Specifications:

Wall Mount Mixing Faucet w/ Eterna Cartridges, 18" Swing Nozzle w/ Stream Regulator Outlet, Lever Handles & Adjustable Inlets

Product Compliance:

ASME A112.18.1 / CSA B125.1
NSF 61 - Section 9
NSF 372 (Low Lead Content)
ANSI A117.1 (ADA)