

# T&S BRASS AND BRONZE WORKS, INC.

2 Saddleback Cove / P.O. Box 1088  
Travelers Rest, SC 29690

Model No.

**B-0238**

Item No.

Travelers Rest, SC: 800-476-4103 • Simi Valley, CA: 800-423-0150 • Fax: 864-834-3518 • www.tsbrass.com



**ADA Compliant**

This Space for Architect/Engineer Approval

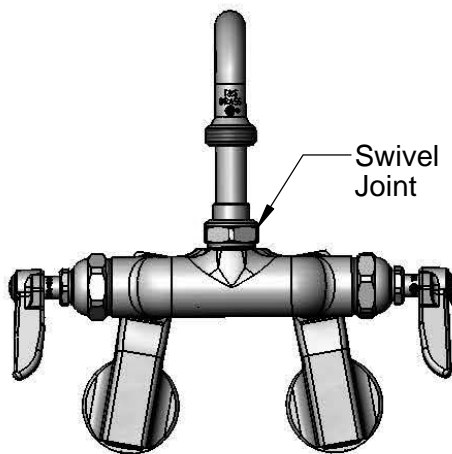
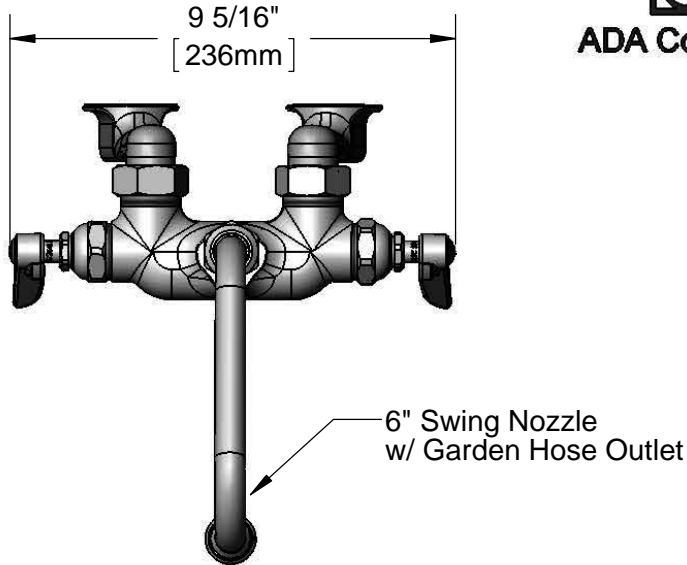
Job Name \_\_\_\_\_ Date \_\_\_\_\_

Model Specified \_\_\_\_\_ Quantity \_\_\_\_\_

Customer/Wholesaler \_\_\_\_\_

Contractor \_\_\_\_\_

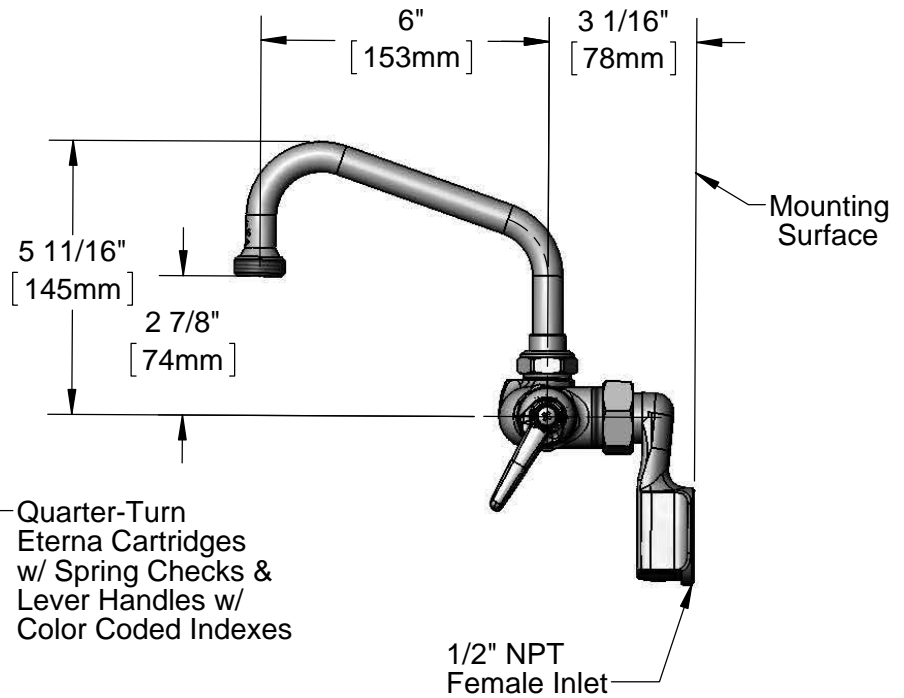
Architect/Engineer \_\_\_\_\_



Swivel Joint

Quarter-Turn Eterna Cartridges w/ Spring Checks & Lever Handles w/ Color Coded Indexes

Adjustable From  
2 1/4" to 8 1/4"  
[57mm] to [210mm]  
Below or Above Centerline



Mounting Surface

1/2" NPT Female Inlet

**Product Specifications:**

Wall Mount Polished Chrome Mixing Faucet, 6" Swing Nozzle, Adjustable Inlet Arms, Lever Handles & Garden Hose Outlet

**Product Compliance:**

ASME A112.18.1 / CSA B125.1  
NSF 61 - Section 9  
NSF 372 (Low Lead Content)  
ANSI A117.1 (ADA)



# T&S BRASS AND BRONZE WORKS, INC.

2 Saddleback Cove / P.O. Box 1088  
Travelers Rest, SC 29690

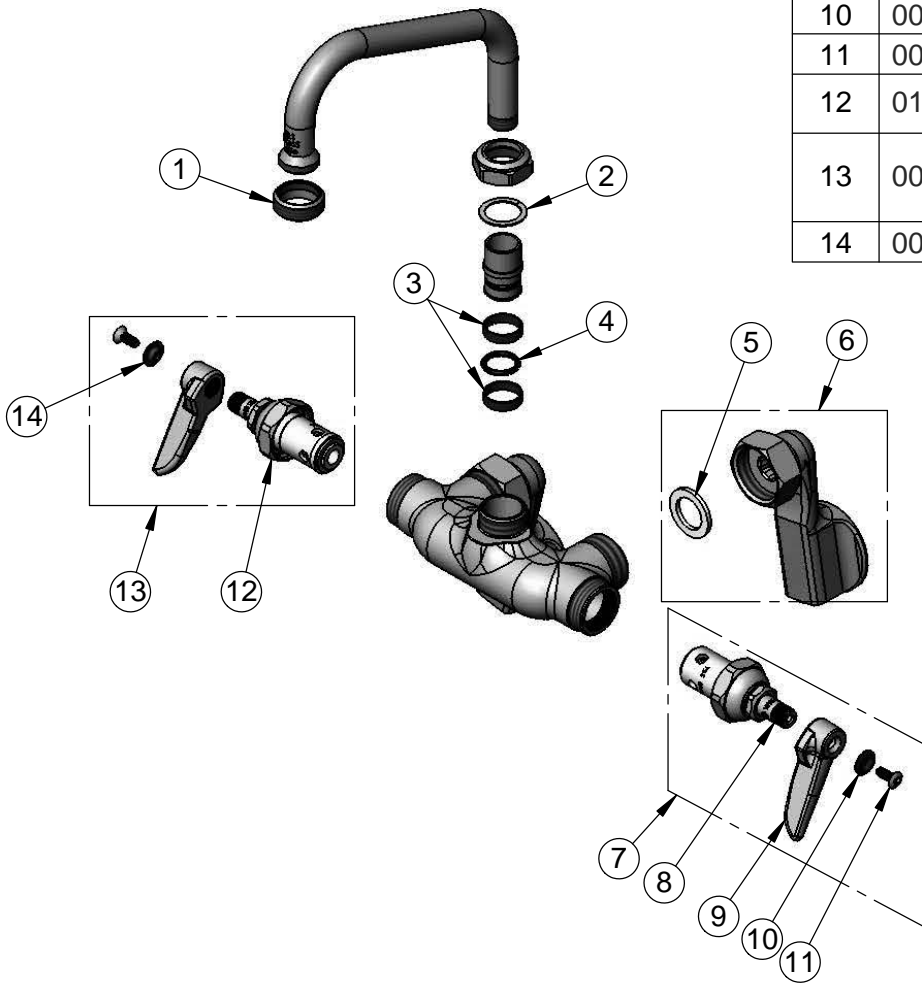
Model No.

**B-0238**

Item No.

Travelers Rest, SC: 800-476-4103 • Simi Valley, CA: 800-423-0150 • Fax: 864-834-3518 • www.tsbrass.com

ITEM NO.	SALES NO.	DESCRIPTION
1	B-GFE	Adapter, Garden Hose Male x Aerator Thread
2	009538-45	Swivel Washer
3	011429-45	Swivel Sleeves (2)
4	001074-45	O-Ring
5	001019-45	Coupling Nut Washer
6	00GG	1/2" NPT Female Adjustable Flange
7	002711-40	Quarter-Turn Eterna Cartridge, LTC w/ Spring Check, Handle, Index & Screw
8	012442-40	Eterna Cartridge, LTC w/ Spring Check
9	001638-45	Lever Handle
10	001660-45	Blue Index-CW
11	000922-45	Lever Handle Screw
12	012443-40	Eterna Cartridge, RTC w/ Spring Check
13	002712-40	Quarter-Turn Eterna Cartridge, RTC w/ Spring Check, Handle, Index & Screw
14	001661-45	Red Index-HW



**Product Specifications:**

Wall Mount Polished Chrome Mixing Faucet, 6" Swing Nozzle, Adjustable Inlet Arms, Lever Handles & Garden Hose Outlet

**Product Compliance:**

ASME A112.18.1 / CSA B125.1  
NSF 61 - Section 9  
NSF 372 (Low Lead Content)  
ANSI A117.1 (ADA)