



# T&S BRASS AND BRONZE WORKS, INC.

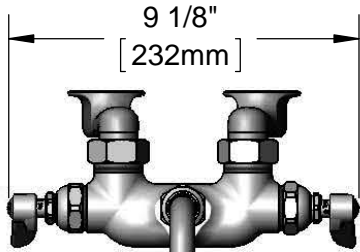
2 Saddleback Cove / P.O. Box 1088  
Travelers Rest, SC 29690

Model No.

**B-0239**

Item No.

Travelers Rest, SC: 800-476-4103 • Simi Valley, CA: 800-423-0150 • Fax: 864-834-3518 • www.tsbrass.com



9 1/8"  
[232mm]



**ADA Compliant**

This Space for Architect/Engineer Approval

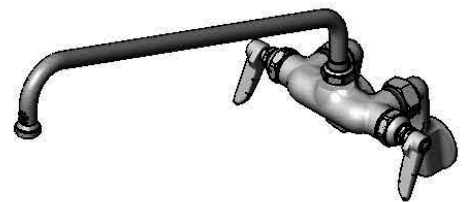
Job Name \_\_\_\_\_ Date \_\_\_\_\_

Model Specified \_\_\_\_\_ Quantity \_\_\_\_\_

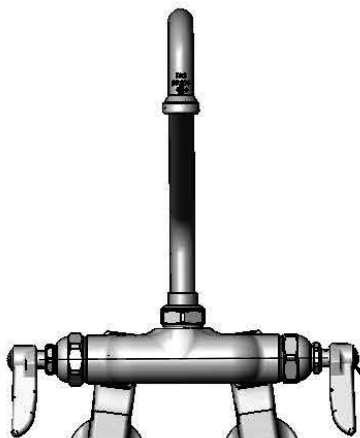
Customer/Wholesaler \_\_\_\_\_

Contractor \_\_\_\_\_

Architect/Engineer \_\_\_\_\_



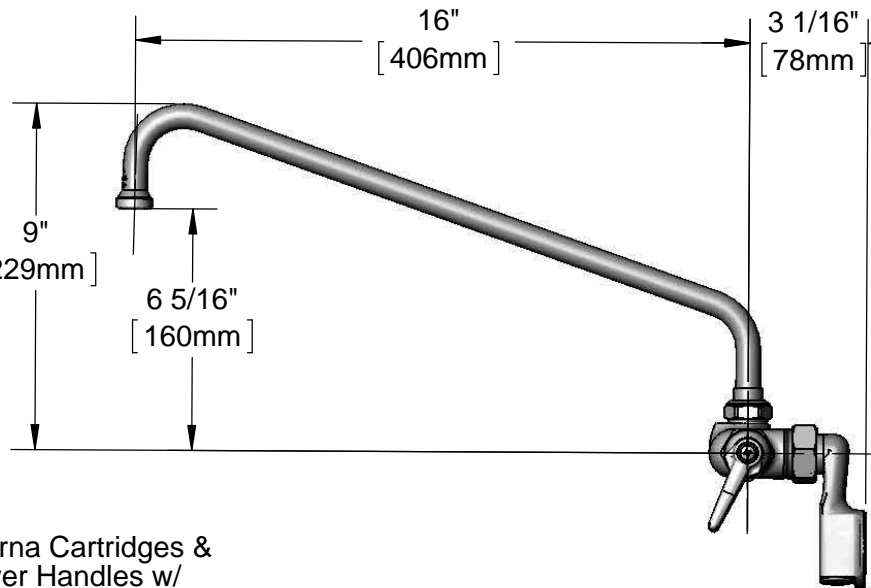
064X  
16" Swing Nozzle w/  
Stream Regulator Outlet



Adjustable  
from  
2 1/4" to 8 1/4"  
[57mm to 210mm]  
Above or Below Centerline

Eterna Cartridges &  
Lever Handles w/  
Color Coded Indexes

Ø 2" [51mm]  
Wall Flange w/  
1/2" NPT  
Female Inlets



9"  
[229mm]

6 5/16"  
[160mm]

16"  
[406mm]

3 1/16"  
[78mm]

Product Specifications:  
Combination Sink Faucet, Eterna Cartridges, 16" Swivel Nozzle  
w/ Stream Regulator Outlet, Lever Handles & Adjustable Inlets

Product Compliance:  
ASME A112.18.1 / CSA B125.1  
NSF 61 - Section 9  
NSF 372 (Low Lead Content)  
ANSI A117.1 (ADA)



# T&S BRASS AND BRONZE WORKS, INC.

2 Saddleback Cove / P.O. Box 1088  
Travelers Rest, SC 29690

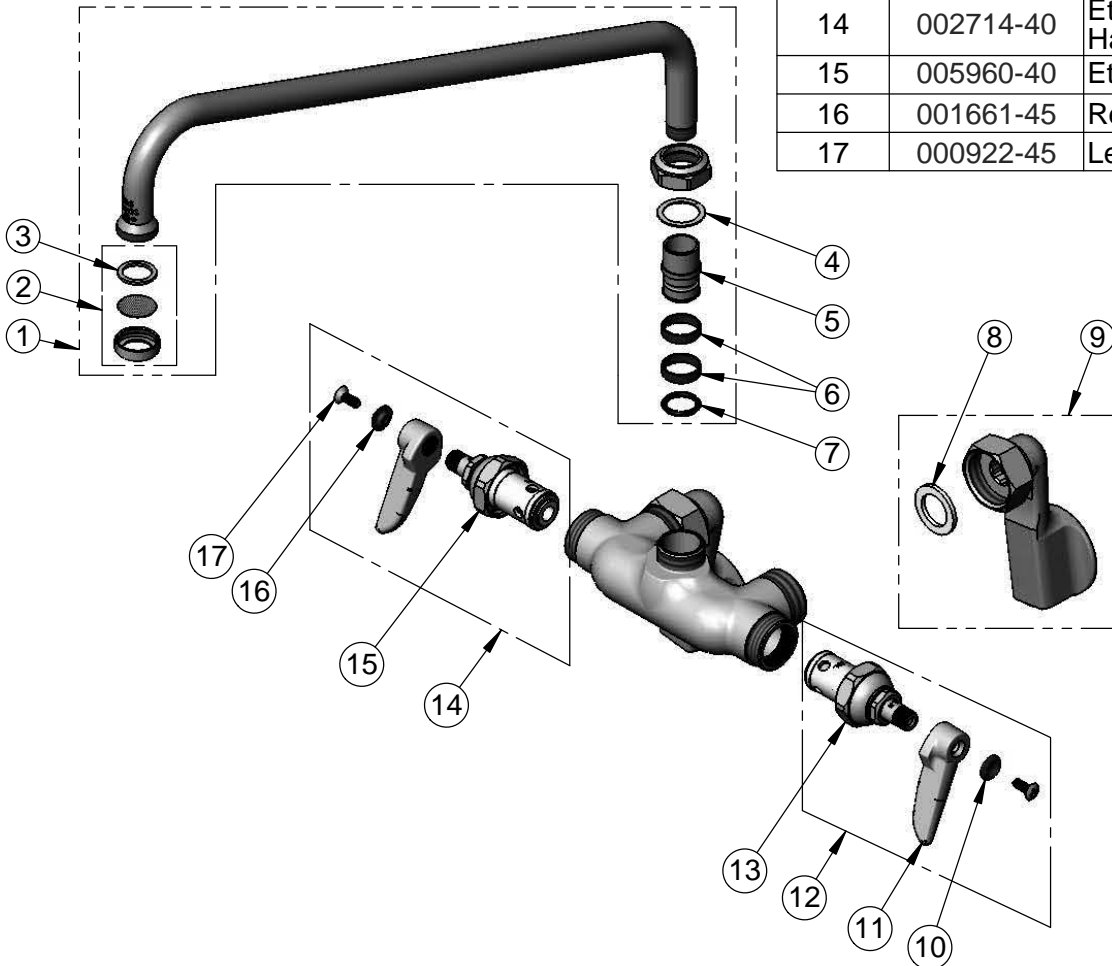
Model No.

**B-0239**

Item No.

Travelers Rest, SC: 800-476-4103 • Simi Valley, CA: 800-423-0150 • Fax: 864-834-3518 • www.tsbrass.com

ITEM NO.	SALES NO.	DESCRIPTION
1	064X	16" Swing Nozzle Assembly
2	B-PT	Stream Regulator Outlet
3	001048-45	Nozzle Tip Washer
4	009538-45	Swivel Washer
5	011430-25	Swivel Piece
6	011429-45	Swivel Sleeves (2)
7	001074-45	O-Ring
8	001019-45	Coupling Nut Washer
9	00GG	1/2" NPT Female Adjustable Flange
10	001660-45	Blue Index-CW
11	001638-45	Lever Handle
12	002713-40	Eterna Cartridge, LTC w/ Handle, Index & Screw
13	005959-40	Eterna Cartridge, LTC
14	002714-40	Eterna Cartridge, RTC w/ Handle, Index & Screw
15	005960-40	Eterna Cartridge, RTC
16	001661-45	Red Index-HW
17	000922-45	Lever Handle Screw



**Product Specifications:**

Combination Sink Faucet, Eterna Cartridges, 16" Swivel Nozzle w/ Stream Regulator Outlet, Lever Handles & Adjustable Inlets

**Product Compliance:**

ASME A112.18.1 / CSA B125.1  
NSF 61 - Section 9  
NSF 372 (Low Lead Content)  
ANSI A117.1 (ADA)