



T&S BRASS AND BRONZE WORKS, INC.

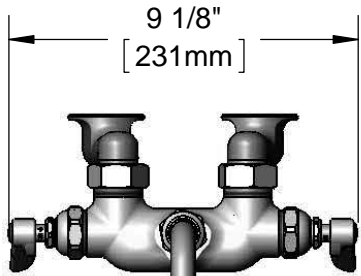
2 Saddleback Cove / P.O. Box 1088
Travelers Rest, SC 29690

Model No.

B-0241

Item No.

Travelers Rest, SC: 800-476-4103 • Simi Valley, CA: 800-423-0150 • Fax: 864-834-3518 • www.tsbrass.com



9 1/8"
[231mm]



ADA Compliant

This Space for Architect/Engineer Approval

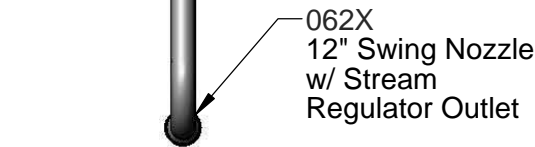
Job Name _____ Date _____

Model Specified _____ Quantity _____

Customer/Wholesaler _____

Contractor _____

Architect/Engineer _____

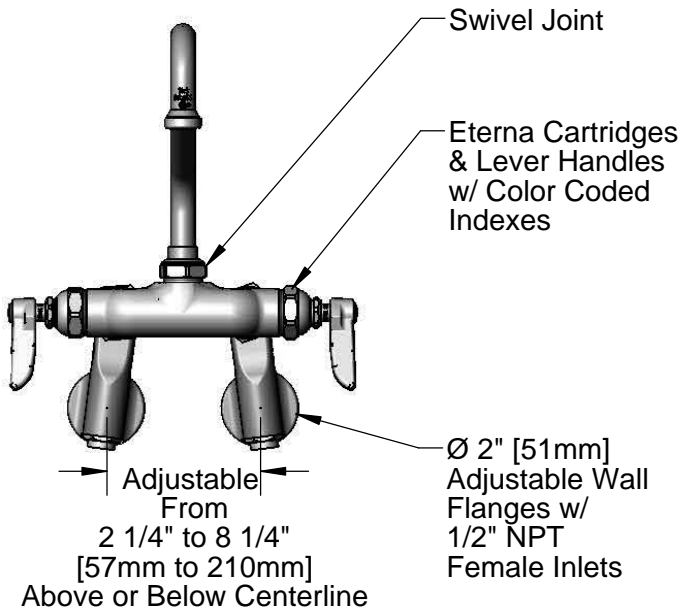


062X
12" Swing Nozzle
w/ Stream
Regulator Outlet



3 1/16"
[78mm]

12"
[305mm]

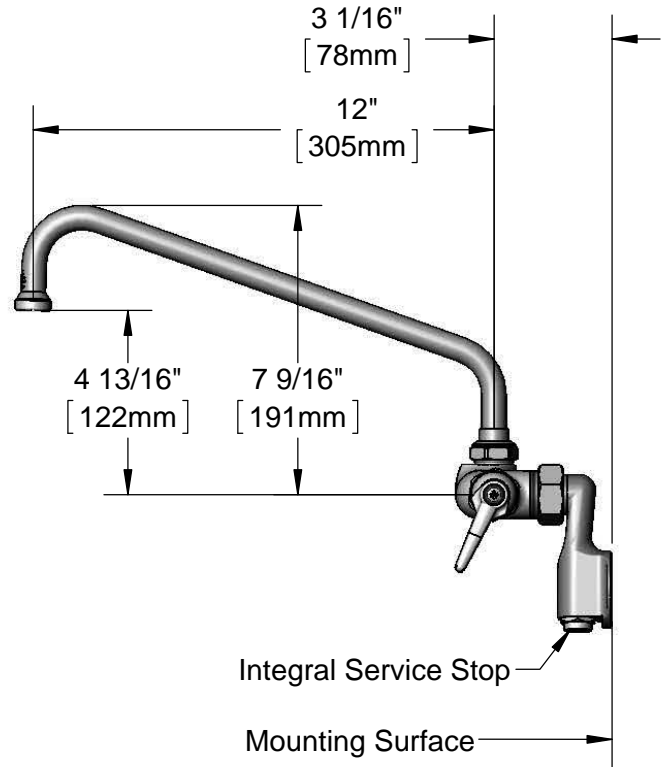


Swivel Joint

Eterna Cartridges
& Lever Handles
w/ Color Coded
Indexes

Ø 2" [51mm]
Adjustable Wall
Flanges w/
1/2" NPT
Female Inlets

Adjustable
From
2 1/4" to 8 1/4"
[57mm to 210mm]
Above or Below Centerline



4 13/16"
[122mm]

7 9/16"
[191mm]

Integral Service Stop

Mounting Surface

Product Specifications:

Wall Mount Mixing Faucet, Eterna Cartridges, Lever Handles,
12" Swing Nozzle & 1/2" NPT Female Inlet Adjustable Wall Flanges
w/ Integral Service Stops

Product Compliance:

ASME A112.18.1 / CSA B125.1
NSF 61 - Section 9
NSF 372 (Low Lead Content)
ANSI A117.1 (ADA)



T&S BRASS AND BRONZE WORKS, INC.

2 Saddleback Cove / P.O. Box 1088
Travelers Rest, SC 29690

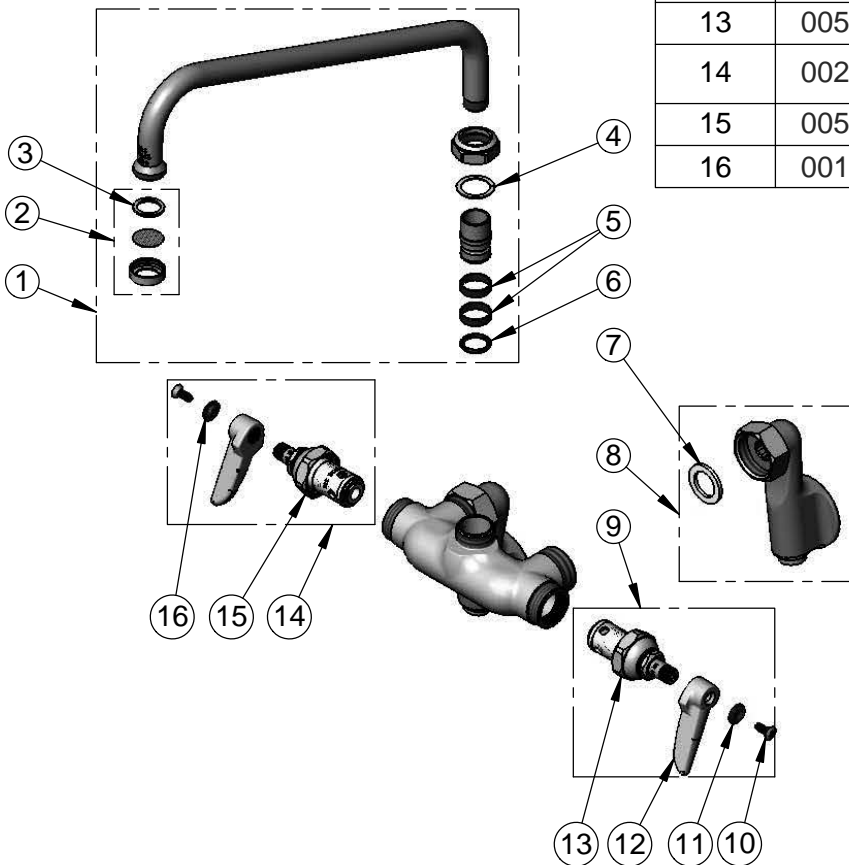
Model No.

B-0241

Item No.

Travelers Rest, SC: 800-476-4103 • Simi Valley, CA: 800-423-0150 • Fax: 864-834-3518 • www.tsbrass.com

ITEM NO.	SALES NO.	DESCRIPTION
1	062X	12" Swing Nozzle
2	B-PT	Stream Regulator Outlet
3	001048-45	Nozzle Tip Washer
4	009538-45	Swivel Washer
5	011429-45	Swivel Sleeves (2)
6	001074-45	O-Ring
7	001019-45	Coupling Nut Washer
8	00XX	1/2" NPT Female Inlet Adjustable Wall Flange w/ Screwdriver Stop
9	002713-40	Eterna Cartridge LTC w/ Handle, Index & Screw
10	000922-45	Lever Handle Screw
11	001660-45	Blue Index-CW
12	001638-45	Lever Handle
13	005959-40	Eterna Cartridge, LTC
14	002714-40	Eterna Cartridge RTC w/ Handle, Index & Screw
15	005960-40	Eterna Cartridge, RTC
16	001661-45	Red Index-HW



Product Specifications:

Wall Mount Mixing Faucet, Eterna Cartridges, Lever Handles, 12" Swing Nozzle & 1/2" NPT Female Inlet Adjustable Wall Flanges w/ Integral Service Stops

Product Compliance:

ASME A112.18.1 / CSA B125.1
NSF 61 - Section 9
NSF 372 (Low Lead Content)
ANSI A117.1 (ADA)