



T&S BRASS AND BRONZE WORKS, INC.

2 Saddleback Cove / P.O. Box 1088
Travelers Rest, SC 29690

Model No.

B-0243

Item No.

Travelers Rest, SC: 800-476-4103 • Simi Valley, CA: 800-423-0150 • Fax: 864-834-3518 • www.tsbrass.com



ADA Compliant

This Space for Architect/Engineer Approval

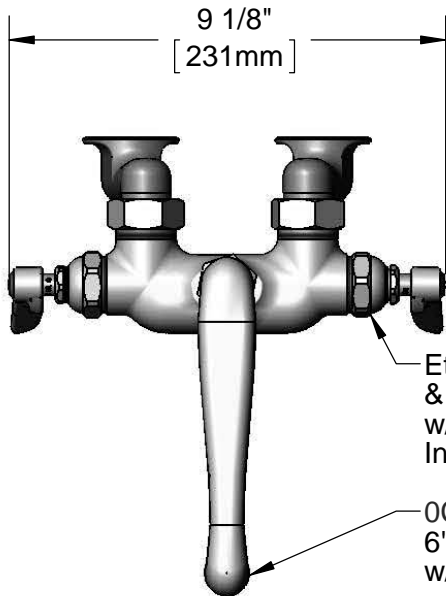
Job Name _____ Date _____

Model Specified _____ Quantity _____

Customer/Wholesaler _____

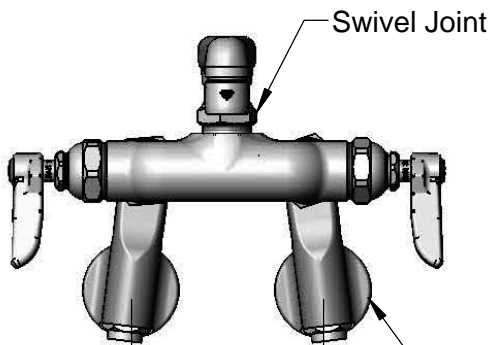
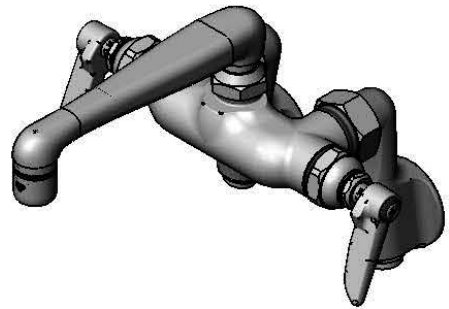
Contractor _____

Architect/Engineer _____



Eterna Cartridges
& Lever Handles
w/ Color Coded
Indexes

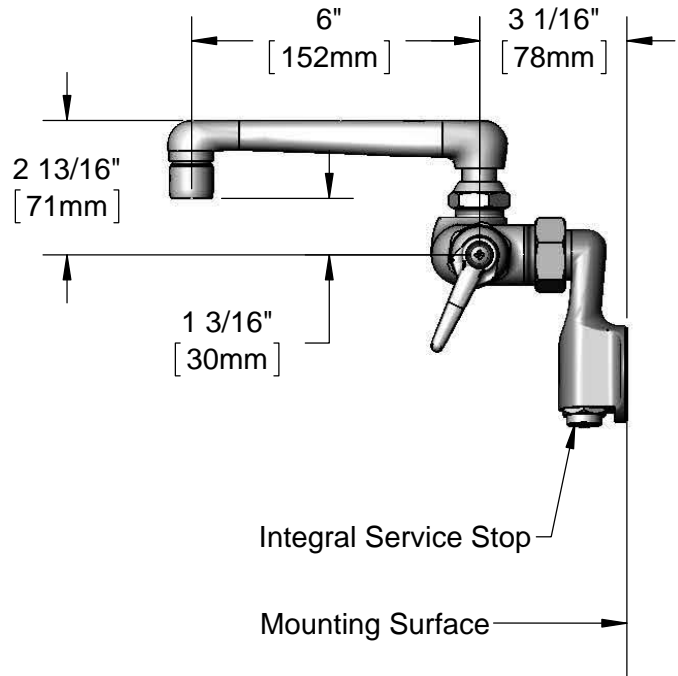
OCS6
6" Swivel Cast Spout
w/ 2.2 GPM Aerator



4"
[102mm]
Adjustable From
2 1/4" to 8 1/4"
[57mm to 210mm]
Above or Below c/c

Swivel Joint

Ø 2" [51mm]
Adjustable Wall
Flanges w/
1/2" NPT
Female Inlets



Product Specifications:

Wall Mount Mixing Faucet, Eterna Cartridges, Lever Handles,
6" Swivel Cast Spout w/ 2.2 GPM Aerator & 1/2" NPT Female Inlet
Adjustable Wall Flanges w/ Integral Service Stops

Product Compliance:

ASME A112.18.1 / CSA B125.1
NSF 61 - Section 9
NSF 372 (Low Lead Content)
ANSI A117.1 (ADA)



T&S BRASS AND BRONZE WORKS, INC.

2 Saddleback Cove / P.O. Box 1088
Travelers Rest, SC 29690

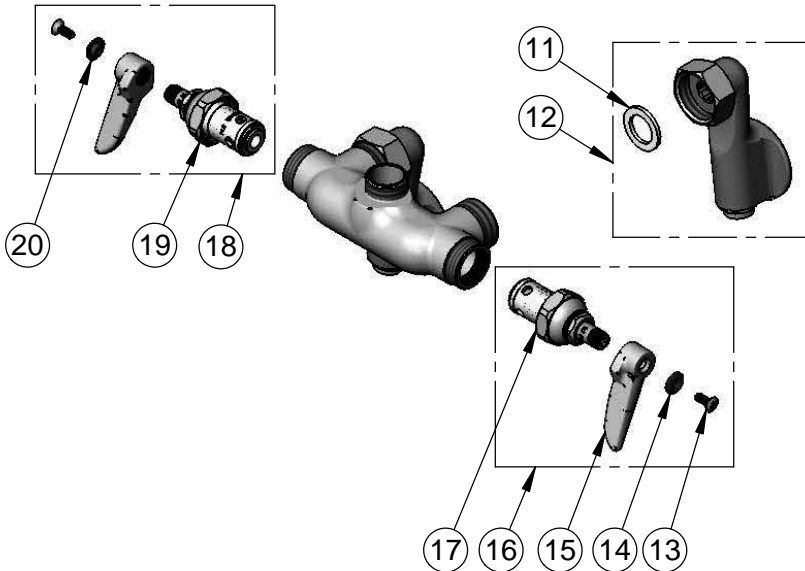
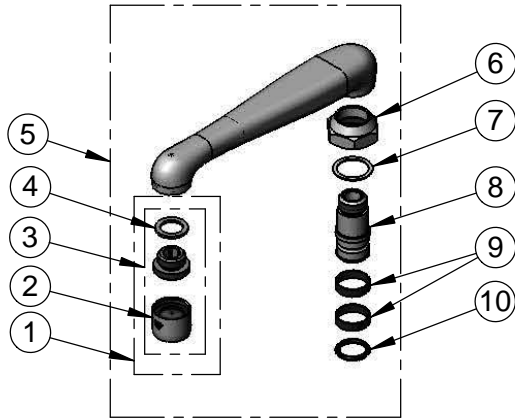
Model No.

B-0243

Item No.

Travelers Rest, SC: 800-476-4103 • Simi Valley, CA: 800-423-0150 • Fax: 864-834-3518 • www.tsbrass.com

ITEM NO.	SALES NO.	DESCRIPTION
1	B-0199-02	2.2 GPM Aerator, 3/8" NPSM Male
2	B-0199-01	2.2 GPM Aerator, 55/64"-27 UN Female
3	044A	3/8" to Aerator Adapter
4	001043-45	Washer
5	0CS6	6" Swivel Cast Spout w/ 2.2 GPM Aerator
6	000711-40	Swivel Nut
7	009E	Plastic Washer
8	000843-25	Swivel Body
9	011429-45	Swivel Sleeves (2)
10	001074-45	O-Ring
11	001019-45	Coupling Nut Washer
12	00XX	1/2" NPT Female Inlet Adjustable Wall Flange w/ Screwdriver Stop
13	000922-45	Lever Handle Screw
14	001660-45	Blue Index-CW
15	001638-45	Lever Handle
16	002713-40	Eterna Cartridge LTC w/ Handle, Index & Screw
17	005959-40	Eterna Cartridge, LTC
18	002714-40	Eterna Cartridge RTC w/ Handle, Index & Screw
19	005960-40	Eterna Cartridge, RTC
20	001661-45	Red Index-HW



Product Specifications:

Wall Mount Mixing Faucet, Eterna Cartridges, Lever Handles, 6" Swivel Cast Spout w/ 2.2 GPM Aerator & 1/2" NPT Female Inlet Adjustable Wall Flanges w/ Integral Service Stops

Product Compliance:

ASME A112.18.1 / CSA B125.1
NSF 61 - Section 9
NSF 372 (Low Lead Content)
ANSI A117.1 (ADA)