



T&S BRASS AND BRONZE WORKS, INC.

2 Saddleback Cove / P.O. Box 1088
Travelers Rest, SC 29690

Model No.

B-0252

Item No.

Travelers Rest, SC: 800-476-4103 • Simi Valley, CA: 800-423-0150 • Fax: 864-834-3518 • www.tsbrass.com



ADA Compliant

This Space for Architect/Engineer Approval

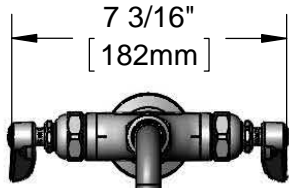
Job Name _____ Date _____

Model Specified _____ Quantity _____

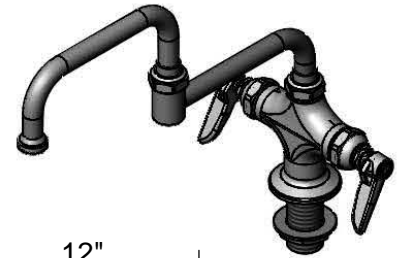
Customer/Wholesaler _____

Contractor _____

Architect/Engineer _____



7 3/16"
[182mm]



066X
12" Double Joint Swing
Nozzle w/ Stream
Regulator Outlet

Swivel Joint

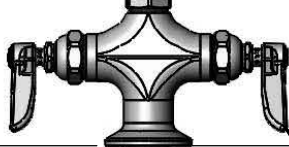


12"
[305mm]

6"
[153mm]

Swivel Joint

2 5/16"
[59mm]



10 1/4"
[260mm]

7 7/16"
[189mm]

5 9/16"
[141mm]

Mounting Surface

Eterna Cartridges &
Lever Handles w/
Color Coded Indexes

Ø 2 1/4" [57mm]
Flange w/
Ø 1 1/8" Shank

1 3/8"
[35mm]
Maximum
Thickness

18" Flexible
Stainless Steel
Supply Hoses

Compression Fittings
for 5/8" O.D. Copper Tubing
(Remove Compression Nut
for 1/2" NPSM Male)

Rough-In Requirement:
Ø 1 1/2" [38mm] Mounting Hole

Product Specifications:

Single Hole Deck Mount Mixing Faucet, Eterna Cartridges, Lever Handles, 12" Double Joint Swing Nozzle w/ Stream Regulator Outlet & 18" Flexible Stainless Steel Supply Hoses w/ 1/2" NPSM Male Inlets

Product Compliance:

ASME A112.18.1 / CSA B125.1
NSF 61 - Section 9
NSF 372 (Low Lead Content)
ANSI A117.1 (ADA)

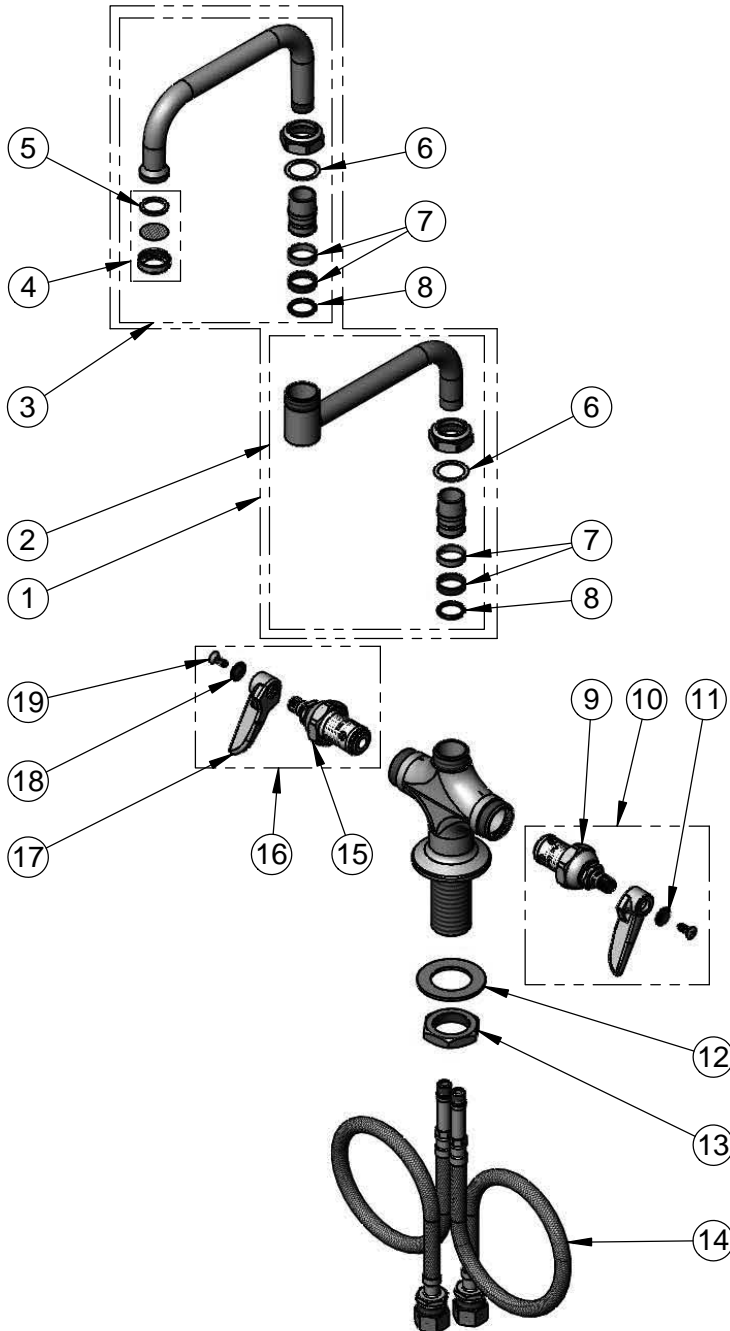


T&S BRASS AND BRONZE WORKS, INC.
 2 Saddleback Cove / P.O. Box 1088
 Travelers Rest, SC 29690

Model No.
B-0252

Item No.

Travelers Rest, SC: 800-476-4103 • Simi Valley, CA: 800-423-0150 • Fax: 864-834-3518 • www.tsbrass.com



| ITEM NO. | SALES NO. | DESCRIPTION |
|----------|-----------|--|
| 1 | 066X | 12" Double Joint Swing Nozzle w/ Stream Regulator Outlet |
| 2 | 151X | 12" Double Joint Swing Nozzle, 6" Back Section |
| 3 | 153X | 12" Double Joint Swing Nozzle, 6" Front Section |
| 4 | B-PT | Stream Regulator Outlet |
| 5 | 001048-45 | Nozzle Tip Washer |
| 6 | 009538-45 | Swivel Washer |
| 7 | 011429-45 | Swivel Sleeves (2) |
| 8 | 001074-45 | O-Ring |
| 9 | 005959-40 | Eterna Cartridge, LTC |
| 10 | 002713-40 | Eterna Cartridge LTC w/ Handle, Index & Screw |
| 11 | 001660-45 | Blue Index-CW |
| 12 | 002290-45 | Lock Washer |
| 13 | 000965-45 | Lock Nut |
| 14 | 012534-45 | 18" Flexible Supply Hose (2) |
| 15 | 005960-40 | Eterna Cartridge, RTC |
| 16 | 002714-40 | Eterna Cartridge RTC w/ Handle, Index & Screw |
| 17 | 001638-45 | Lever Handle |
| 18 | 001661-45 | Red Index-HW |
| 19 | 000922-45 | Lever Handle Screw |

Product Specifications:

Single Hole Deck Mount Mixing Faucet, Eterna Cartridges, Lever Handles, 12" Double Joint Swing Nozzle w/ Stream Regulator Outlet & 18" Flexible Stainless Steel Supply Hoses w/ 1/2" NPSM Male Inlets

Product Compliance:

ASME A112.18.1 / CSA B125.1
 NSF 61 - Section 9
 NSF 372 (Low Lead Content)
 ANSI A117.1 (ADA)