



# T&S BRASS AND BRONZE WORKS, INC.

2 Saddleback Cove / P.O. Box 1088  
Travelers Rest, SC 29690

Model No.

**B-0257**

Item No.

Travelers Rest, SC: 800-476-4103 • Simi Valley, CA: 800-423-0150 • Fax: 864-834-3518 • www.tsbrass.com



**ADA Compliant**

This Space for Architect/Engineer Approval

Job Name \_\_\_\_\_ Date \_\_\_\_\_

Model Specified \_\_\_\_\_ Quantity \_\_\_\_\_

Customer/Wholesaler \_\_\_\_\_

Contractor \_\_\_\_\_

Architect/Engineer \_\_\_\_\_

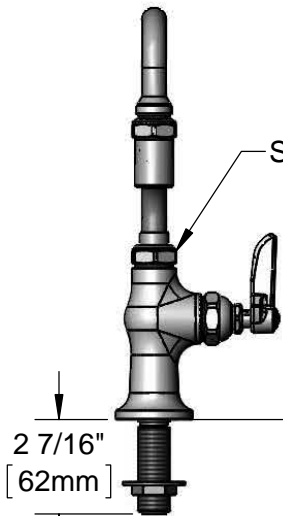
3 1/4"  
[83mm]



Eterna Cartridges &  
Lever Handles w/  
Blue Color Coded Index



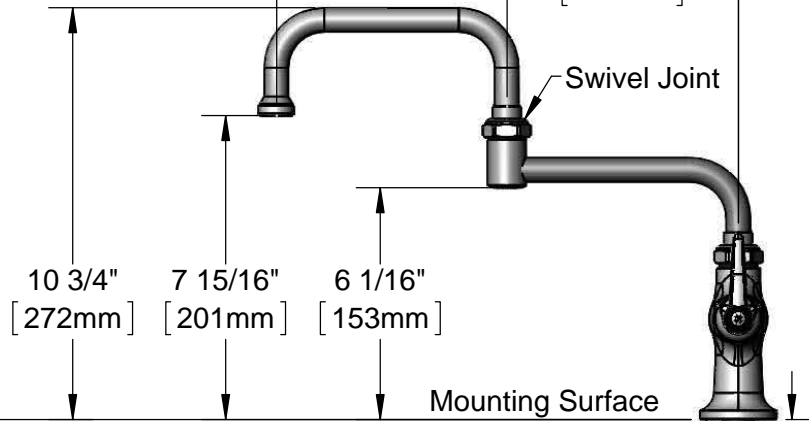
066X  
12" Double Joint  
Swing Nozzle w/  
Stream Regulator  
Outlet



Swivel Joint

2 9/16"  
[66mm]

2 7/16"  
[62mm]



Swivel Joint

Ø2" [51mm] Flange  
w/ 1/2" NPSM  
Male Inlet

150A  
Optional Tailpiece & Nut  
For 1/4" NPT Connection  
(Included)

1 5/8"  
[41mm]  
Maximum  
Thickness

Rough-In Requirement:  
Ø1" [25mm] Mounting Hole

Product Specifications:  
Single Hole Single Temperature Deck Mount Faucet, Eterna Cartridge, Lever  
Handle, 12" Double Joint Swing Nozzle & 1/2" NPSM Male Inlet

Product Compliance:  
ASME A112.18.1 / CSA B125.1  
NSF 61 - Section 9  
NSF 372 (Low Lead Content)  
ANSI A117.1 (ADA)

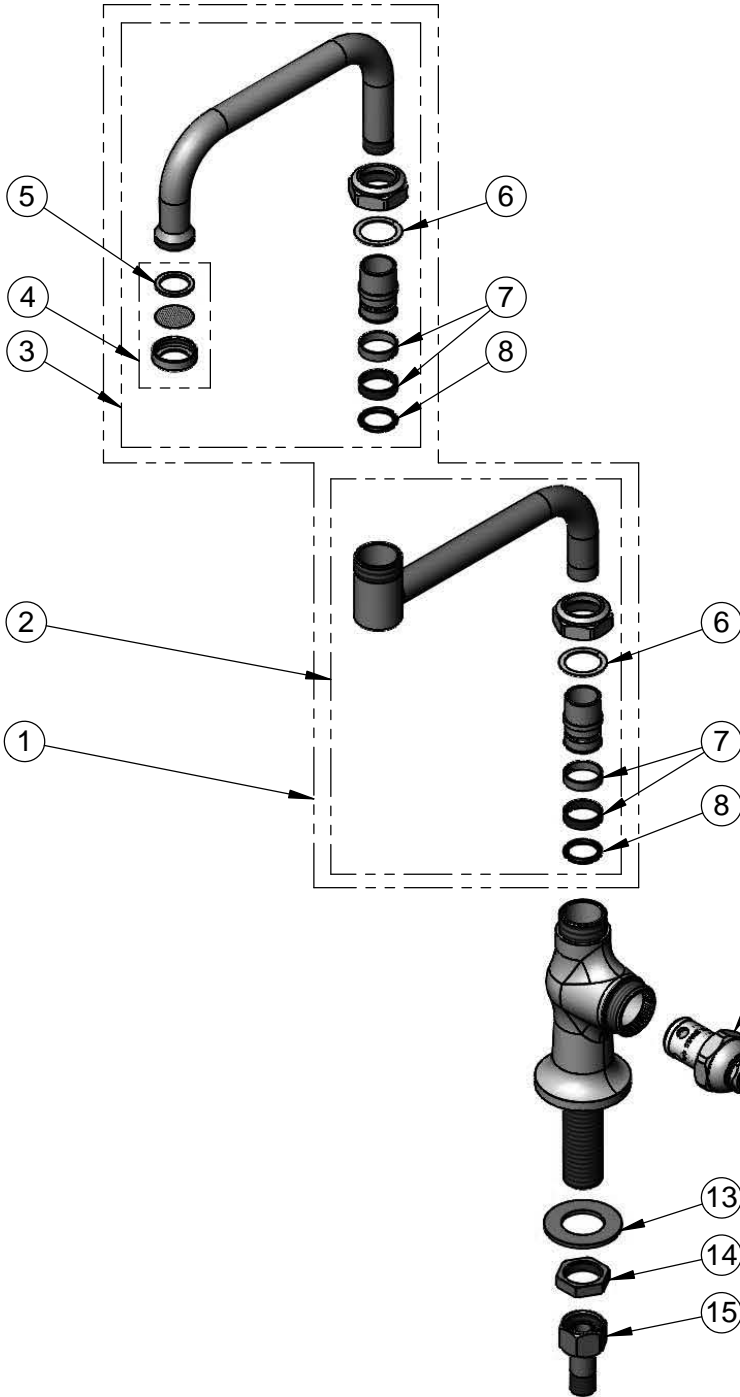


**T&S BRASS AND BRONZE WORKS, INC.**  
 2 Saddleback Cove / P.O. Box 1088  
 Travelers Rest, SC 29690

Model No.  
**B-0257**

Item No.

Travelers Rest, SC: 800-476-4103 • Simi Valley, CA: 800-423-0150 • Fax: 864-834-3518 • www.tsbrass.com



ITEM NO.	SALES NO.	DESCRIPTION
1	066X	12" Double Joint Swing Nozzle
2	151X	6" Back Section
3	153X	6" Front Section
4	B-PT	Stream Regulator Outlet
5	001048-45	Nozzle Tip Washer
6	009538-45	Swivel Washer
7	011429-45	Swivel Sleeves (2)
8	001074-45	O-Ring
9	005960-40	Eterna Cartridge, RTC
10	001638-45	Lever Handle
11	001660-45	Blue Index-CW
12	000922-45	Lever Handle Screw
13	000999-45	Brass Lock Washer
14	002954-45	Shank Lock Nut
15	150A	1/4" NPT Tailpiece & Nut

Product Specifications:  
 Single Hole Single Temperature Deck Mount Faucet, Eterna Cartridge, Lever Handle, 12" Double Joint Swing Nozzle & 1/2" NPSM Male Inlet

Product Compliance:  
 ASME A112.18.1 / CSA B125.1  
 NSF 61 - Section 9  
 NSF 372 (Low Lead Content)  
 ANSI A117.1 (ADA)