



T&S BRASS AND BRONZE WORKS, INC.
 2 Saddleback Cove / P.O. Box 1088
 Travelers Rest, SC 29690

Model No.
B-0259

Item No.

Travelers Rest, SC: 800-476-4103 • Simi Valley, CA: 800-423-0150 • Fax: 864-834-3518 • www.tsbrass.com



ADA Compliant

This Space for Architect/Engineer Approval

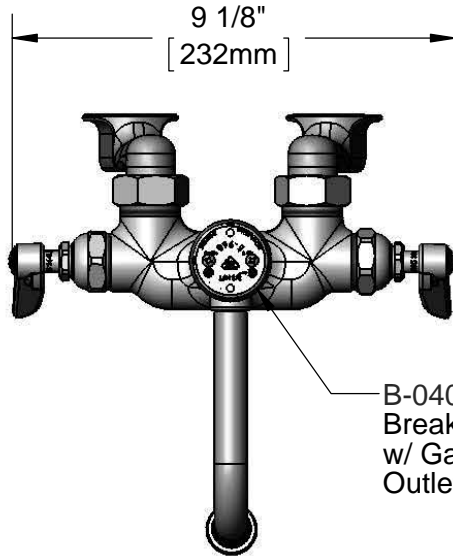
Job Name _____ Date _____

Model Specified _____ Quantity _____

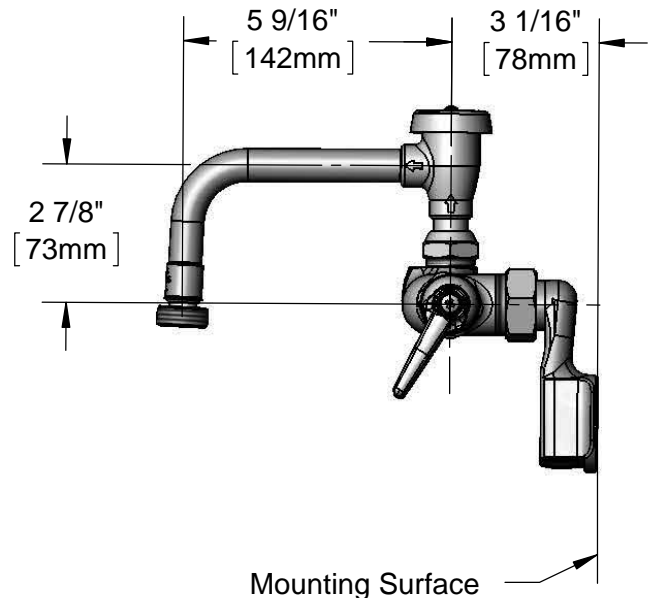
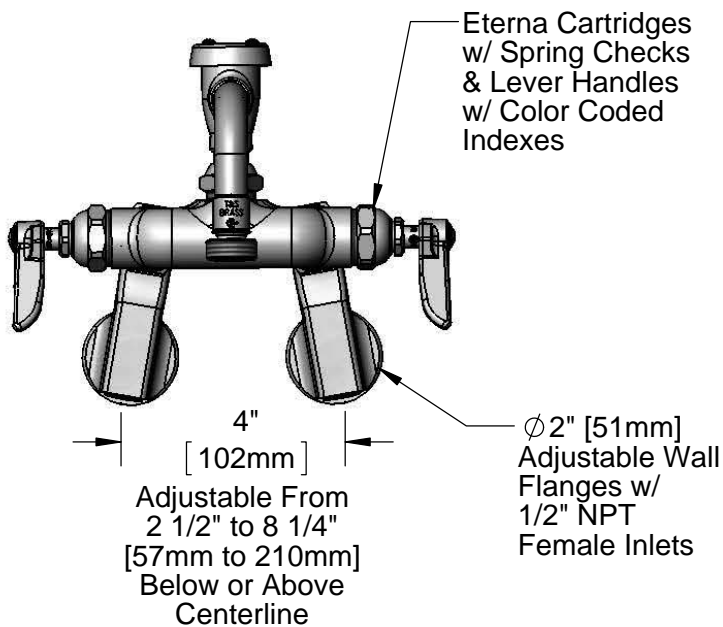
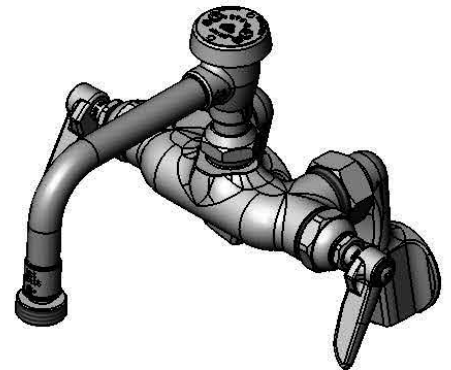
Customer/Wholesaler _____

Contractor _____

Architect/Engineer _____



B-0409-02 Vacuum
 Breaker Swing Nozzle
 w/ Garden Hose Male
 Outlet



Product Specifications:
 Wall Mount Polished Chrome Mixing Faucet, Vacuum Breaker Swing Nozzle & 1/2" NPT Adjustable Inlet Arms

Product Compliance:
 ASME A112.18.1 / CSA B125.1
 NSF 61 - Section 9
 NSF 372 (Low Lead Content)
 ANSI A117.1 (ADA)
 ASSE 1001 (VB)

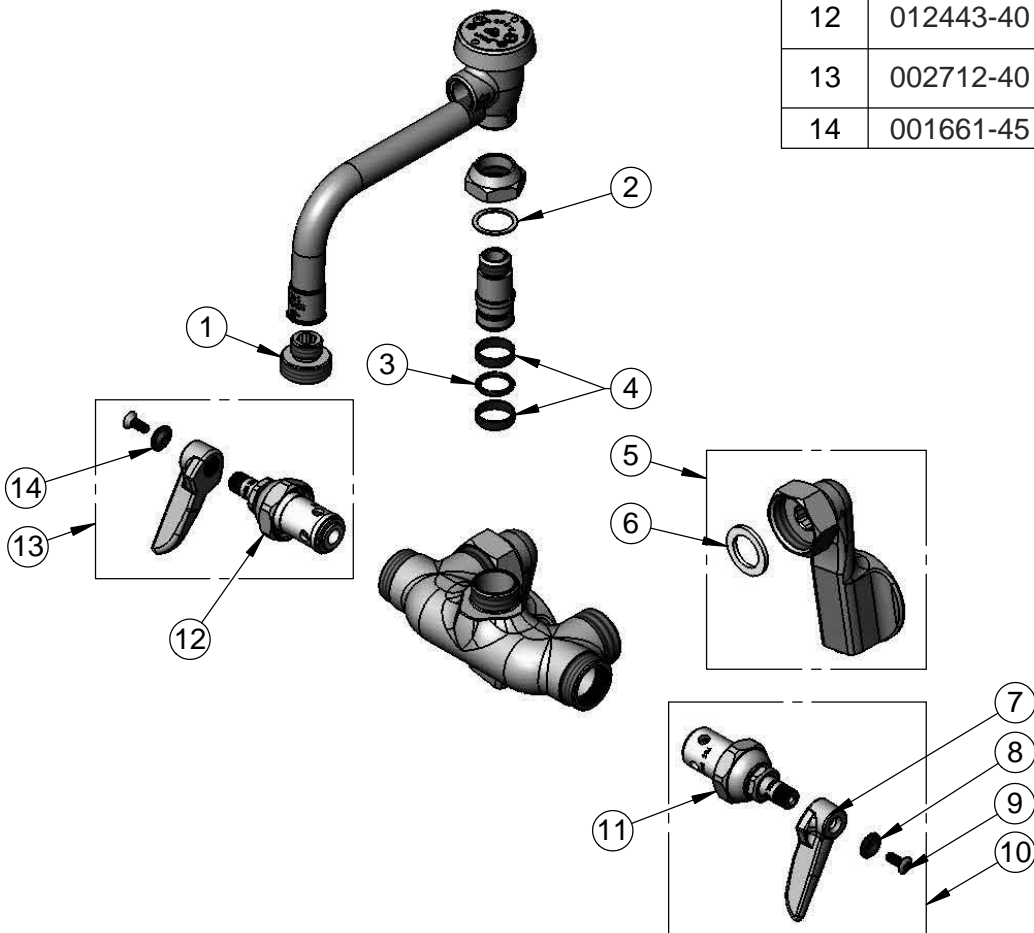


T&S BRASS AND BRONZE WORKS, INC.
 2 Saddleback Cove / P.O. Box 1088
 Travelers Rest, SC 29690

Model No.
B-0259
 Item No.

Travelers Rest, SC: 800-476-4103 • Simi Valley, CA: 800-423-0150 • Fax: 864-834-3518 • www.tsbrass.com

ITEM NO.	SALES NO.	DESCRIPTION
1	000560-25	Adapter 3/4" GH X 3/8" NPSM
2	009E	Plastic Washer
3	001074-45	O-Ring
4	011429-45	Swivel Sleeves (2)
5	00GG	Flange Assembly, 1/2" NPT, Adjustable
6	001019-45	Coupling Nut Washer
7	001638-45	Lever Handle
8	001660-45	Blue Index-CW
9	000922-45	Lever Handle Screw
10	002711-40	Eterna Cartridge, LTC w/ Spring Check, Handle, Index & Screw
11	012442-40	Eterna Cartridge, LTC w/ Spring Check
12	012443-40	Eterna Cartridge, RTC w/ Spring Check
13	002712-40	Eterna Cartridge, RTC w/ Spring Check, Handle, Index & Screw
14	001661-45	Red Index-HW



Product Specifications:
 Wall Mount Polished Chrome Mixing Faucet, Vacuum Breaker Swing Nozzle & 1/2" NPT Adjustable Inlet Arms

Product Compliance:
 ASME A112.18.1 / CSA B125.1
 NSF 61 - Section 9
 NSF 372 (Low Lead Content)
 ANSI A117.1 (ADA)
 ASSE 1001 (VB)