



T&S BRASS AND BRONZE WORKS, INC.

2 Saddleback Cove / P.O. Box 1088
Travelers Rest, SC 29690

Model No.

B-0262

Item No.

Travelers Rest, SC: 800-476-4103 • Simi Valley, CA: 800-423-0150 • Fax: 864-834-3518 • www.tsbrass.com



ADA Compliant

This Space for Architect/Engineer Approval

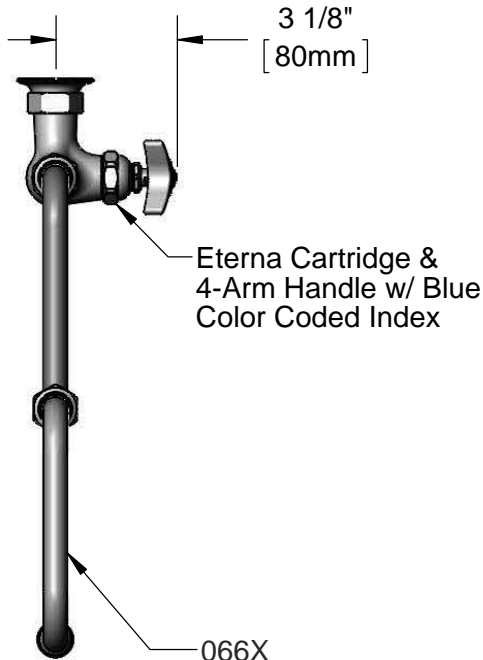
Job Name _____ Date _____

Model Specified _____ Quantity _____

Customer/Wholesaler _____

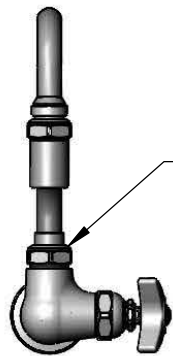
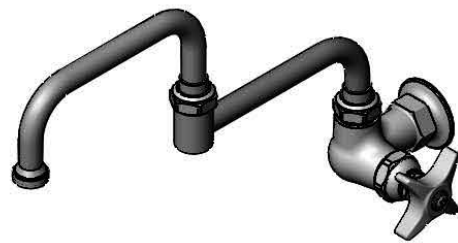
Contractor _____

Architect/Engineer _____

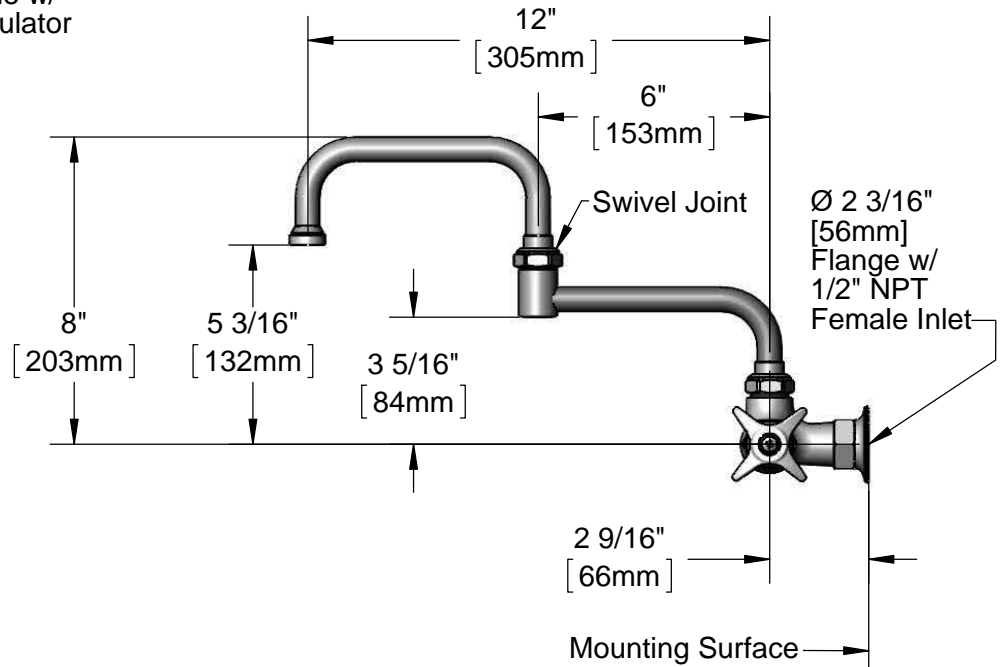


Eterna Cartridge &
4-Arm Handle w/ Blue
Color Coded Index

066X
12" Double Joint
Swing Nozzle w/
Stream Regulator
Outlet



Swivel Joint



Product Specifications:

Single Hole Single Temperature Wall Mount Faucet, Eterna Cartridge, 4-Arm Handle, 12" Double Joint Swing Nozzle & 1/2" NPT Female Inlet

Product Compliance:

ASME A112.18.1 / CSA B125.1
NSF 61 - Section 9
NSF 372 (Low Lead Content)
ANSI A117.1 (ADA)

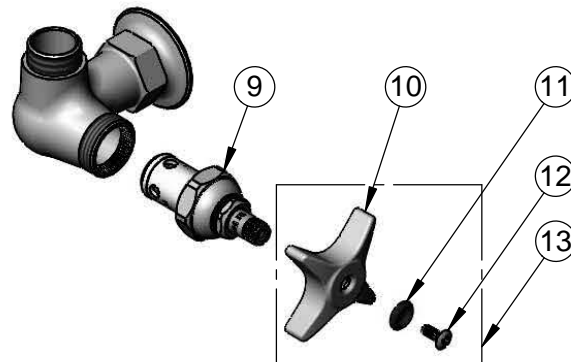
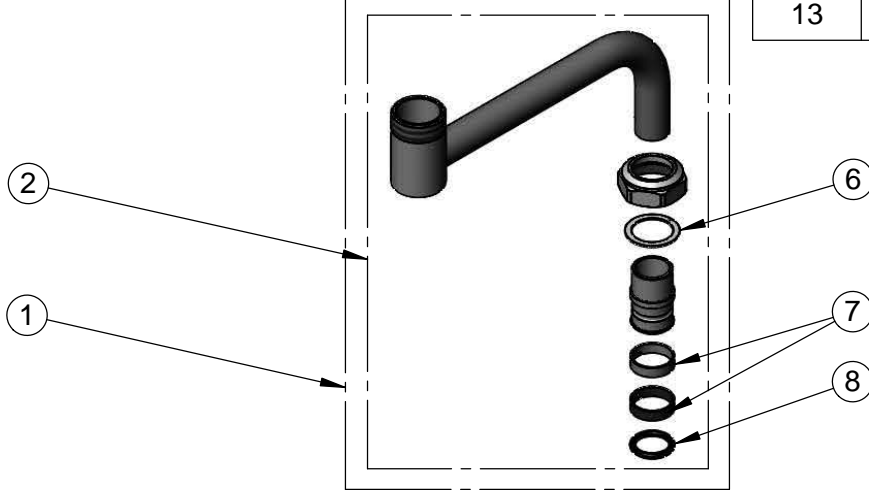
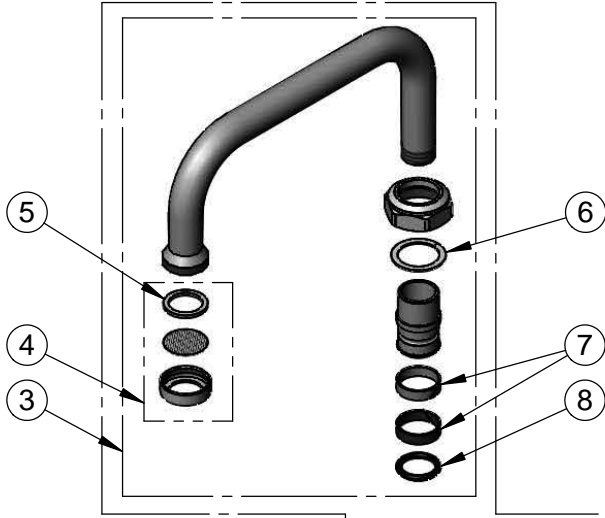


T&S BRASS AND BRONZE WORKS, INC.
 2 Saddleback Cove / P.O. Box 1088
 Travelers Rest, SC 29690

Model No.
B-0262
 Item No.

Travelers Rest, SC: 800-476-4103 • Simi Valley, CA: 800-423-0150 • Fax: 864-834-3518 • www.tsbrass.com

ITEM NO.	SALES NO.	DESCRIPTION
1	066X	12" Double Joint Swing Nozzle w/ Stream Regulator Outlet
2	151X	12" Double Joint Swing Nozzle, 6" Back Section
3	153X	12" Double Joint Swing Nozzle, 6" Front Section
4	B-PT	Stream Regulator Outlet
5	001048-45	Nozzle Tip Washer
6	009538-45	Swivel Washer
7	011429-45	Swivel Sleeves (2)
8	001074-45	O-Ring
9	005960-40	Eterna Cartridge, RTC
10	002521-45	4-Arm Handle
11	001660-45	Blue Index-CW
12	000922-45	Lever Handle Screw
13	175FC	4-Arm Kitchen Handle w/ (CW) Index & Screw



Product Specifications:
 Single Hole Single Temperature Wall Mount Faucet, Eterna Cartridge, 4-Arm Handle, 12" Double Joint Swing Nozzle & 1/2" NPT Female Inlet

Product Compliance:
 ASME A112.18.1 / CSA B125.1
 NSF 61 - Section 9
 NSF 372 (Low Lead Content)
 ANSI A117.1 (ADA)