



# T&S BRASS AND BRONZE WORKS, INC.

2 Saddleback Cove / P.O. Box 1088  
Travelers Rest, SC 29690

Model No.

**B-0266**

Item No.

Travelers Rest, SC: 800-476-4103 • Simi Valley, CA: 800-423-0150 • Fax: 864-834-3518 • www.tsbrass.com



**ADA Compliant**

This Space for Architect/Engineer Approval

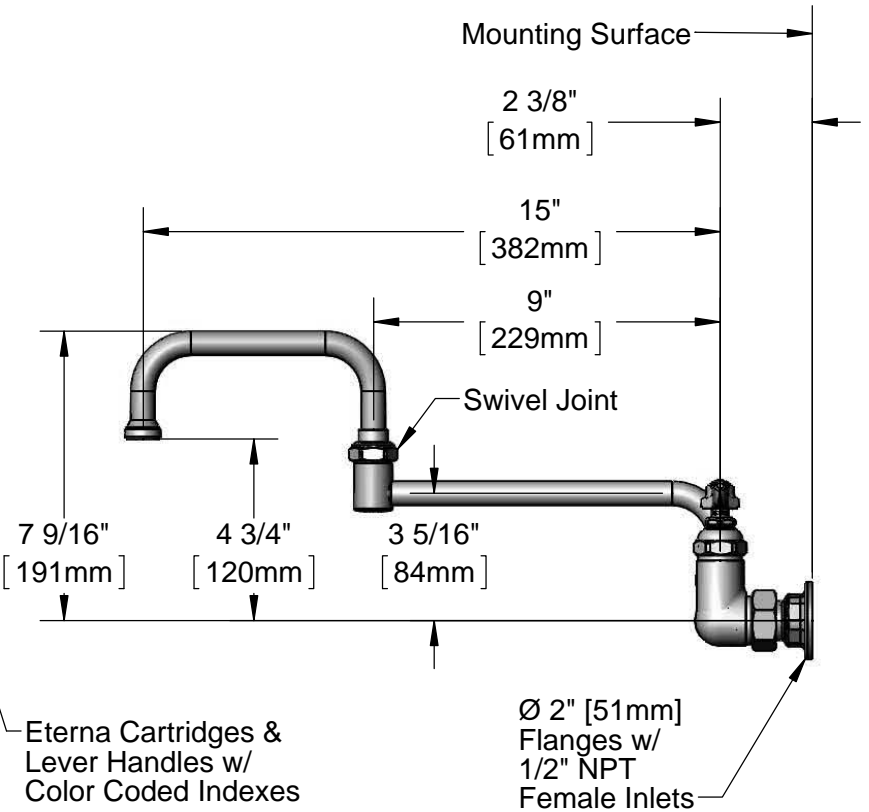
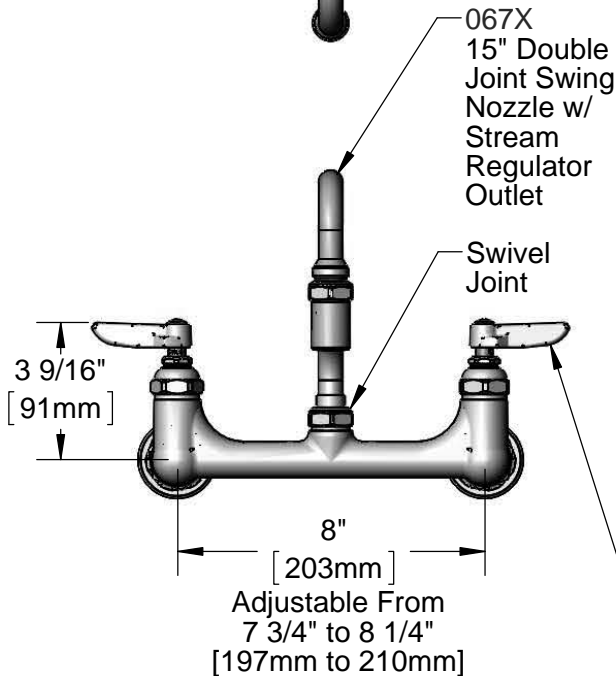
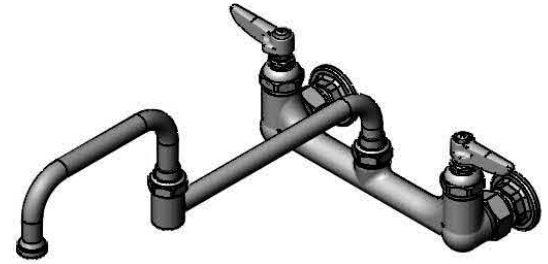
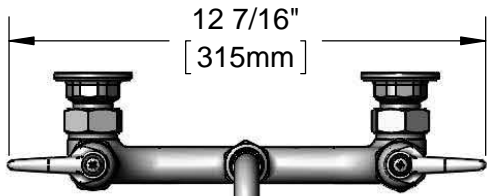
Job Name \_\_\_\_\_ Date \_\_\_\_\_

Model Specified \_\_\_\_\_ Quantity \_\_\_\_\_

Customer/Wholesaler \_\_\_\_\_

Contractor \_\_\_\_\_

Architect/Engineer \_\_\_\_\_



**Product Specifications:**

8" Wall Mount Mixing Faucet, Eterna Cartridges, Lever Handles,  
15" Double Joint Swing Nozzle & 1/2" NPT Male Inlets

**Product Compliance:**

ASME A112.18.1 / CSA B125.1  
NSF 61 - Section 9  
NSF 372 (Low Lead Content)  
ANSI A117.1 (ADA)

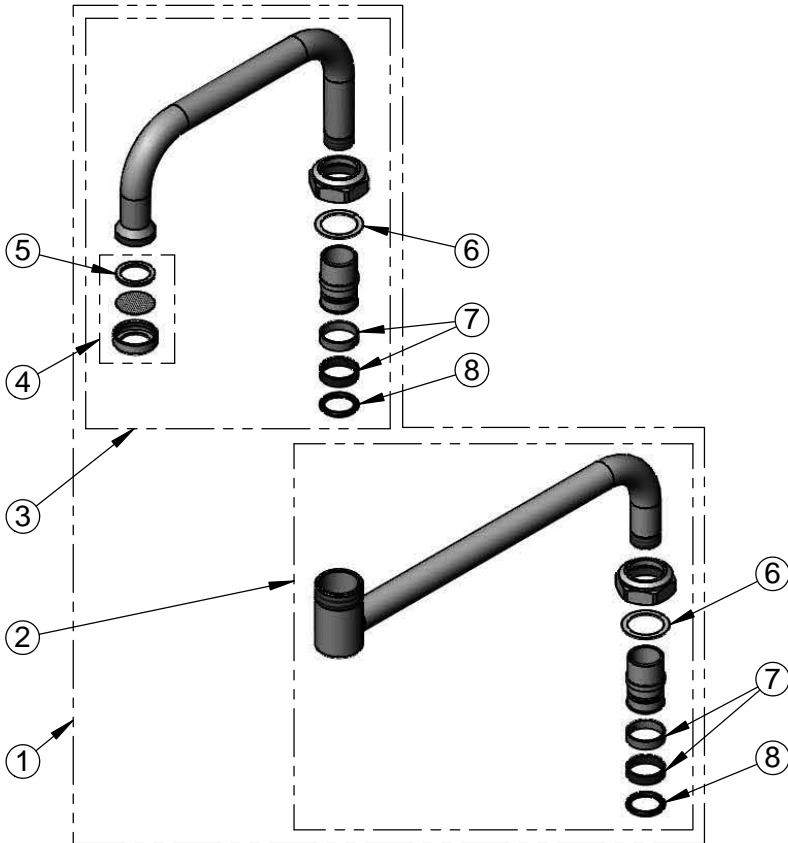


**T&S BRASS AND BRONZE WORKS, INC.**  
 2 Saddleback Cove / P.O. Box 1088  
 Travelers Rest, SC 29690

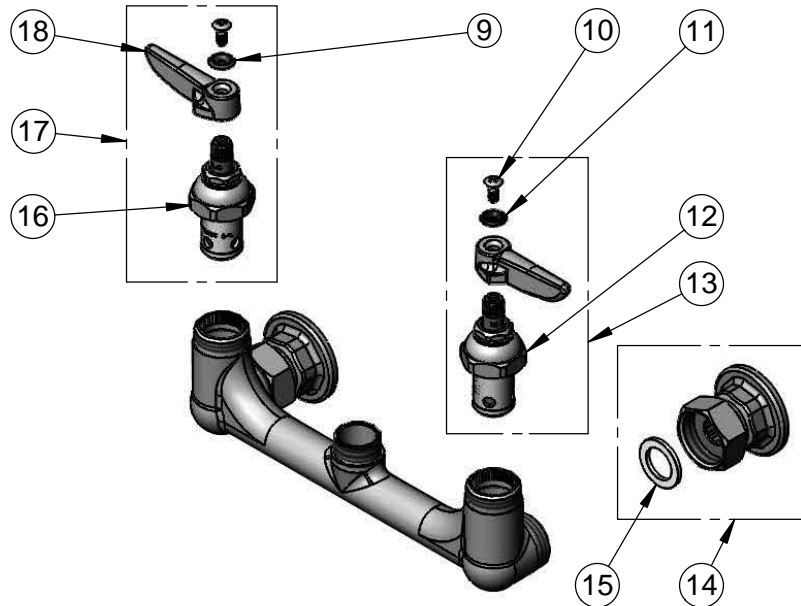
Model No.  
**B-0266**

Item No.

Travelers Rest, SC: 800-476-4103 • Simi Valley, CA: 800-423-0150 • Fax: 864-834-3518 • www.tsbrass.com



ITEM NO.	SALES NO.	DESCRIPTION
1	067X	15" Double Joint Swing Nozzle
2	152X	9" Back Section
3	153X	6" Front Section
4	B-PT	Stream Regulator Outlet
5	001048-45	Nozzle Tip Washer
6	009538-45	Swivel Washer
7	011429-45	Swivel Sleeves (2)
8	001074-45	O-Ring
9	001661-45	Red Index-HW
10	000922-45	Lever Handle Screw
11	001660-45	Blue Index-CW
12	005959-40	Eterna Cartridge, LTC
13	002713-40	Eterna Cartridge, LTC w/ Handle, Index & Screw
14	00AA	1/2" NPT Female Eccentric Flange
15	001019-45	Coupling Nut Washer
16	005960-40	Eterna Cartridge, RTC
17	002714-40	Eterna Cartridge, RTC w/ Handle, Index & Screw
18	001638-45	Lever Handle



**Product Specifications:**

8" Wall Mount Mixing Faucet, Eterna Cartridges, Lever Handles, 15" Double Joint Swing Nozzle & 1/2" NPT Male Inlets

**Product Compliance:**

ASME A112.18.1 / CSA B125.1  
 NSF 61 - Section 9  
 NSF 372 (Low Lead Content)  
 ANSI A117.1 (ADA)