



# T&S BRASS AND BRONZE WORKS, INC.

2 Saddleback Cove / P.O. Box 1088  
Travelers Rest, SC 29690

Model No.

**B-0268-03**

Item No.

Travelers Rest, SC: 800-476-4103 • Simi Valley, CA: 800-423-0150 • Fax: 864-834-3518 • www.tsbrass.com



**ADA Compliant**

This Space for Architect/Engineer Approval

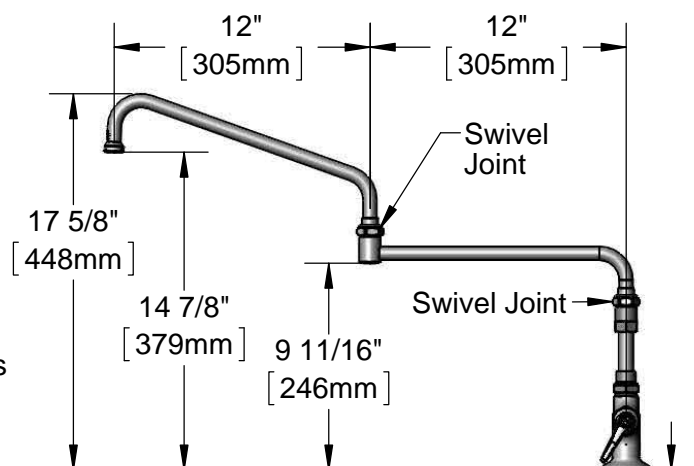
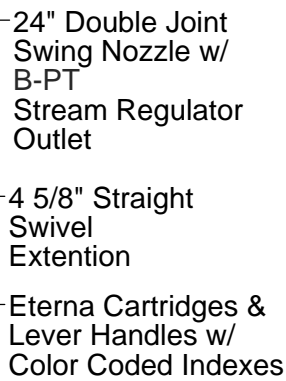
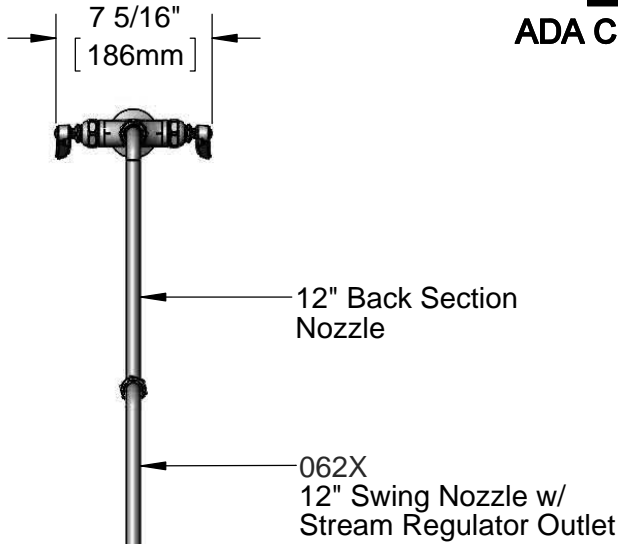
Job Name \_\_\_\_\_ Date \_\_\_\_\_

Model Specified \_\_\_\_\_ Quantity \_\_\_\_\_

Customer/Wholesaler \_\_\_\_\_

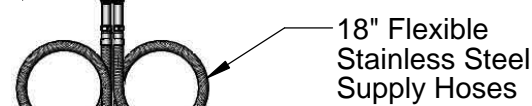
Contractor \_\_\_\_\_

Architect/Engineer \_\_\_\_\_



2 5/16" [58mm]

Mounting Surface



Compression Fittings for 5/8" O.D. Copper Tubing (Remove Compression Nut for 1/2" NPSM Male)

Ø 2 1/4" [57mm] Deck Flange

1 3/8" [35mm] Maximum Thickness

Rough-In Requirement:  
Ø 1 1/2" [38mm] Mounting Hole

Product Specifications:  
Single Hole Deck Mount Mixing Faucet, Eterna Cartridges, Lever Handles, 24" Double Joint Nozzle w/ Stream Regulator Outlet, 4 5/8" Extension & 18" Flexible Stainless Steel Supply Hoses w/ 1/2" NPT Male Inlets

Product Compliance:  
ASME A112.18.1 / CSA B125.1  
NSF 61 - Section 9  
NSF 372 (Low Lead Content)  
ANSI A117.1 (ADA)



# T&S BRASS AND BRONZE WORKS, INC.

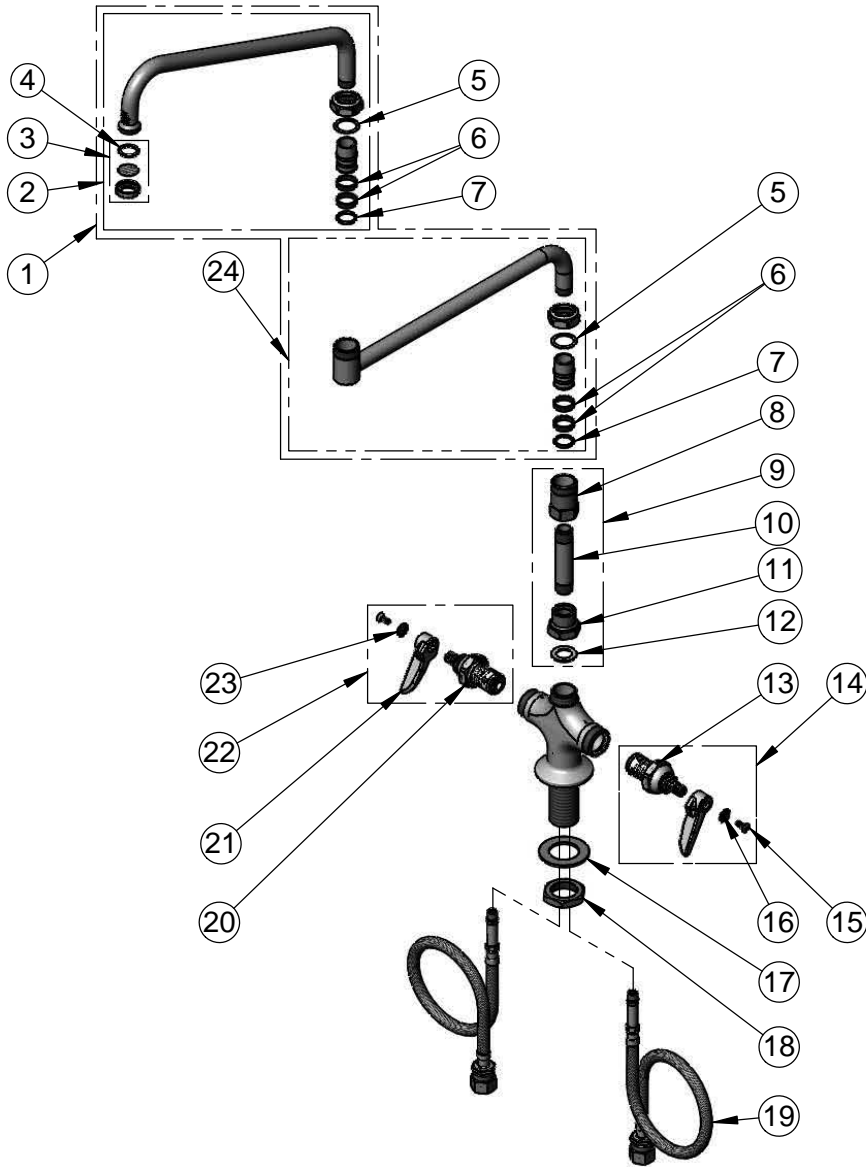
2 Saddleback Cove / P.O. Box 1088  
Travelers Rest, SC 29690

Model No.

**B-0268-03**

Item No.

Travelers Rest, SC: 800-476-4103 • Simi Valley, CA: 800-423-0150 • Fax: 864-834-3518 • www.tsbrass.com



ITEM NO.	SALES NO.	DESCRIPTION
1	017919-40	24" Double Joint Swing Nozzle w/ 12" Front Section & 12" Back Section
2	062X	12" Swing Nozzle
3	B-PT	Stream Regulator Outlet
4	001048-45	Nozzle Tip Washer
5	009538-45	Swivel Washer
6	011429-45	Swivel Sleeves (2)
7	001074-45	O-Ring
8	054X	Swivel Body
9	B-1912-11	4 5/8" Straight Swivel Extension
10	000358-40	Nipple, 3/8" NPT x 3"
11	B-0413	Adapter, Swivel to Rigid
12	001049-45	Washer
13	005959-40	Eterna Cartridge, LTC
14	002713-40	Eterna Cartridge, LTC w/ Handle, Index & Screw
15	000922-45	Lever Handle Screw
16	001660-45	Blue Index-CW
17	002290-45	Lock Washer
18	000965-45	Lock Nut
19	012534-45	18" Flexible Supply Hose (2)
20	005960-40	Eterna Cartridge, RTC
21	001638-45	Lever Handle
22	002714-40	Eterna Cartridge, RTC w/ Handle, Index & Screw
23	001661-45	Red Index-HW
24	002871-40	Double Joint Swing Nozzle 12" Back Section

**Product Specifications:**

Single Hole Deck Mount Mixing Faucet, Eterna Cartridges, Lever Handles, 24" Double Joint Nozzle w/ Stream Regulator Outlet, 4 5/8" Extension & 18" Flexible Stainless Steel Supply Hoses w/ 1/2" NPT Male Inlets

**Product Compliance:**

ASME A112.18.1 / CSA B125.1  
NSF 61 - Section 9  
NSF 372 (Low Lead Content)  
ANSI A117.1 (ADA)