



T&S BRASS AND BRONZE WORKS, INC.

2 Saddleback Cove / P.O. Box 1088
Travelers Rest, SC 29690

Model No.

B-0268-04

Item No.

Travelers Rest, SC: 800-476-4103 • Simi Valley, CA: 800-423-0150 • Fax: 864-834-3518 • www.tsbrass.com



ADA Compliant

This Space for Architect/Engineer Approval

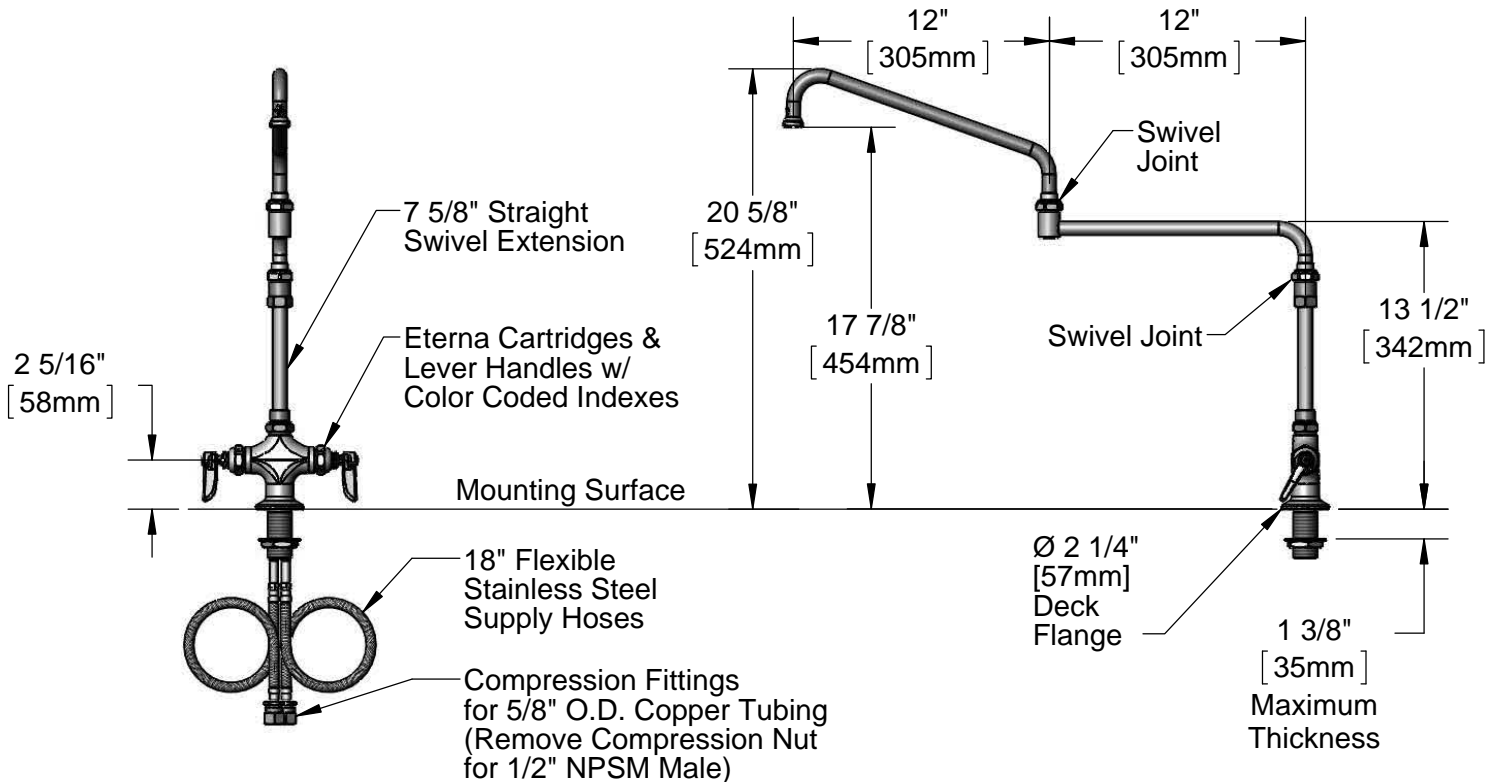
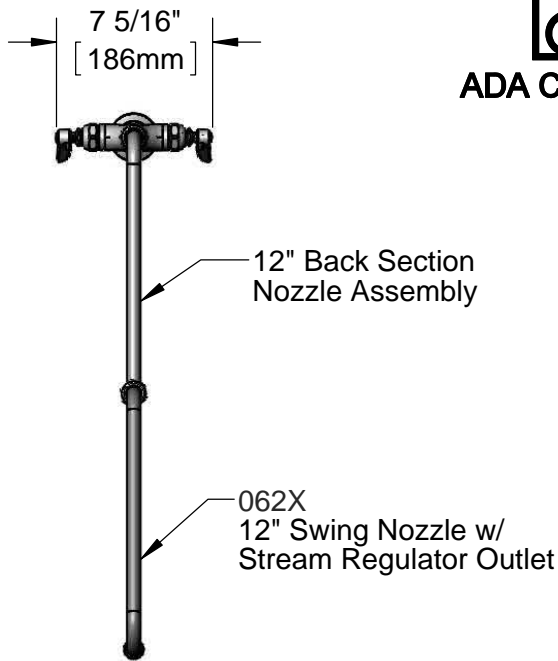
Job Name _____ Date _____

Model Specified _____ Quantity _____

Customer/Wholesaler _____

Contractor _____

Architect/Engineer _____



Rough-In Requirement:
Ø 1 1/2" [38mm] Mounting Hole

Product Specifications:

Single Hole Deck Mount Mixing Faucet, Eterna Cartridges, Lever Handles, 24" Double Joint Nozzle w/ Stream Regulator Outlet, 7 5/8" Extension & 18" Flexible Stainless Steel Supply Hoses w/ 1/2" NPT Male Inlets

Product Compliance:

ASME A112.18.1 / CSA B125.1
NSF 61 - Section 9
NSF 372 (Low Lead Content)
ANSI A117.1 (ADA)



T&S BRASS AND BRONZE WORKS, INC.

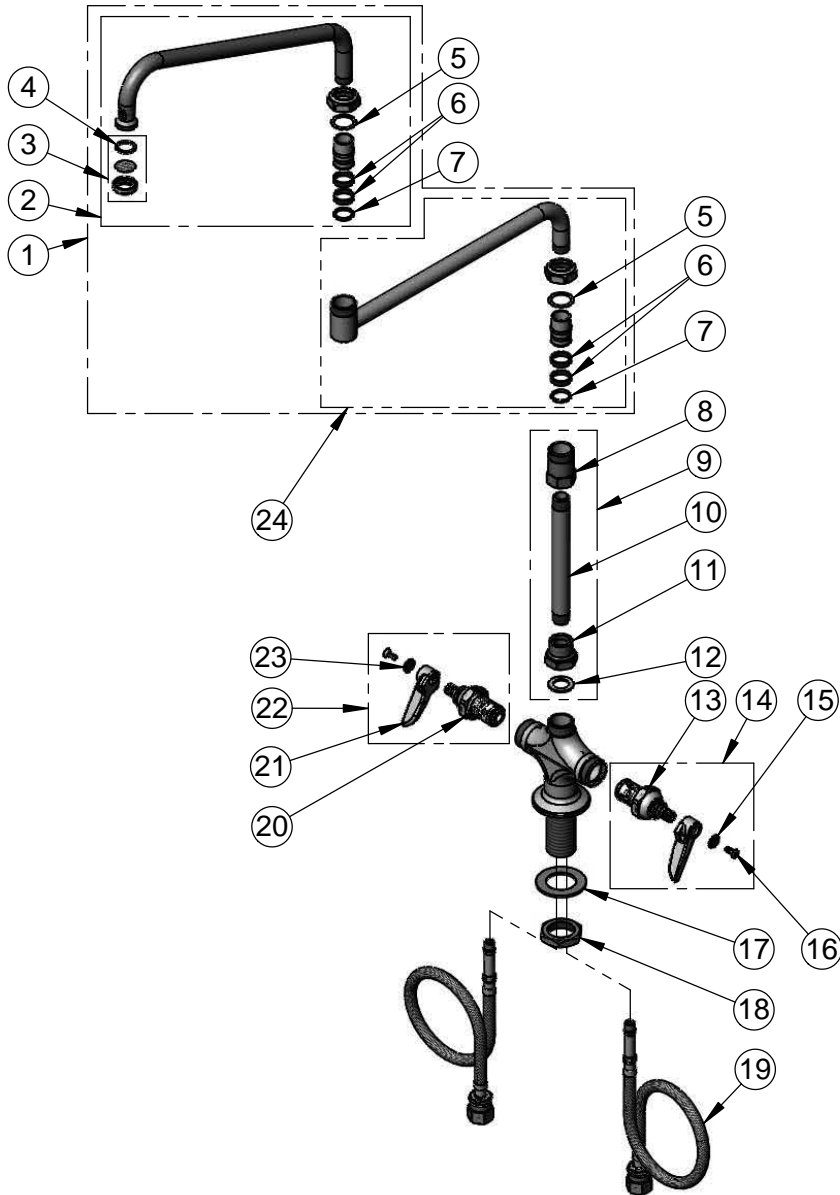
2 Saddleback Cove / P.O. Box 1088
Travelers Rest, SC 29690

Model No.

B-0268-04

Item No.

Travelers Rest, SC: 800-476-4103 • Simi Valley, CA: 800-423-0150 • Fax: 864-834-3518 • www.tsbrass.com



ITEM NO.	SALES NO.	DESCRIPTION
1	017919-40	24" Double Joint Swing Nozzle w/ 12" Front Section & 12" Back Section
2	062X	12" Front Section
3	B-PT	Stream Regulator Outlet
4	001048-45	Nozzle Tip Washer
5	009538-45	Swivel Washer
6	011429-45	Swivel Sleeves (2)
7	001074-45	O-Ring
8	054X	Swivel Body
9	B-1912-10	7 5/8" Straight Swivel Extension
10	144X	3/8" NPT x 6" Nipple
11	B-0413	Swivel to Rigid Adapter
12	001049-45	Washer
13	005959-40	Eterna Cartridge, LTC
14	002713-40	Eterna Cartridge, LTC w/ Handle, Index & Screw
15	001660-45	Blue Index-CW
16	000922-45	Lever Handle Screw
17	002290-45	Lock Washer
18	000965-45	Lock Nut
19	012534-45	18" Flexible Supply Hose (2)
20	005960-40	Eterna Cartridge, RTC
21	001638-45	Lever Handle
22	002714-40	Eterna Cartridge, RTC w/ Handle, Index & Screw
23	001661-45	Red Index-HW
24	002871-40	12" Back Section

Product Specifications:

Single Hole Deck Mount Mixing Faucet, Eterna Cartridges, Lever Handles, 24" Double Joint Nozzle w/ Stream Regulator Outlet, 7 5/8" Extension & 18" Flexible Stainless Steel Supply Hoses w/ 1/2" NPT Male Inlets

Product Compliance:

ASME A112.18.1 / CSA B125.1
NSF 61 - Section 9
NSF 372 (Low Lead Content)
ANSI A117.1 (ADA)