



T&S BRASS AND BRONZE WORKS, INC.

2 Saddleback Cove / P.O. Box 1088
Travelers Rest, SC 29690

Model No.

B-0268

Item No.

Travelers Rest, SC: 800-476-4103 • Simi Valley, CA: 800-423-0150 • Fax: 864-834-3518 • www.tsbrass.com



ADA Compliant

This Space for Architect/Engineer Approval

Job Name _____ Date _____

Model Specified _____ Quantity _____

Customer/Wholesaler _____

Contractor _____

Architect/Engineer _____

7 5/16"
[186mm]



12" Back Section
Nozzle



12" Swing Nozzle w/
Stream Regulator Outlet



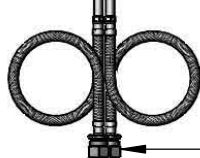
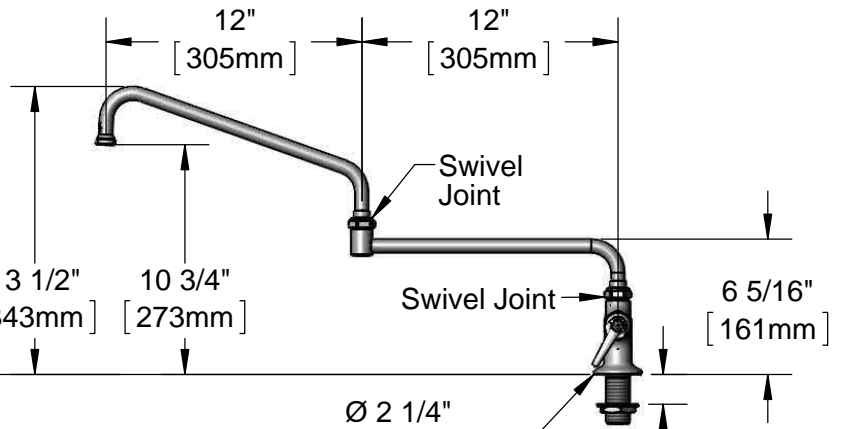
24" Double Joint
Swing Nozzle w/
B-PT
Stream Regulator
Outlet

Eterna Cartridges &
Lever Handles w/
Color Coded Indexes

2 5/16"
[58mm]



Mounting Surface



18" Flexible
Stainless Steel
Supply Hoses

Compression Fittings
for 5/8" O.D. Copper Tubing
(Remove Compression Nut
for 1/2" NPSM Male)

1 3/8"
[35mm]
Maximum
Thickness

Rough-In Requirement:
Ø 1 1/2" [38mm] Mounting Hole

Product Specifications:

Single Hole Deck Mount Mixing Faucet, Eterna Cartridges, 24" Double-Joint Nozzle w/ Stream Regulator Outlet & 18" Flexible Stainless Steel Supply Hoses w/ 1/2" NPT Male Inlets

Product Compliance:

ASME A112.18.1 / CSA B125.1
NSF 61 - Section 9
NSF 372 (Low Lead Content)
ANSI A117.1 (ADA)



T&S BRASS AND BRONZE WORKS, INC.

2 Saddleback Cove / P.O. Box 1088
Travelers Rest, SC 29690

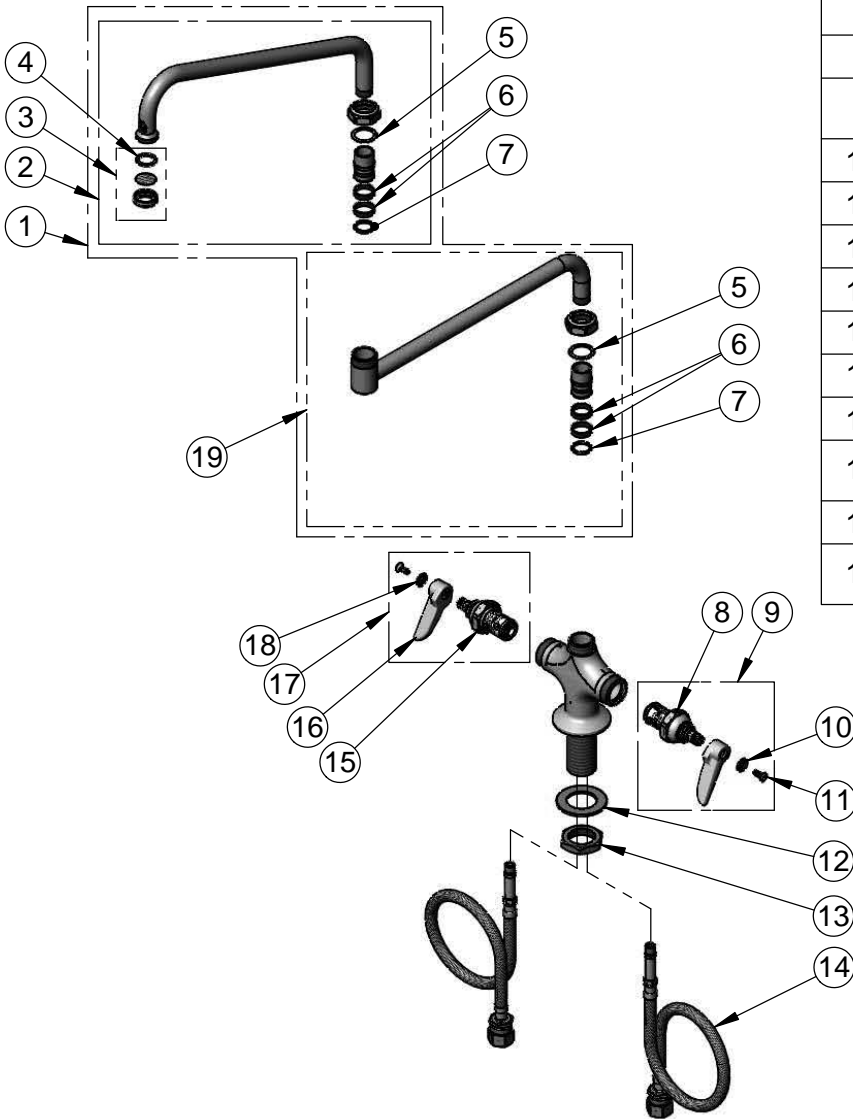
Model No.

B-0268

Item No.

Travelers Rest, SC: 800-476-4103 • Simi Valley, CA: 800-423-0150 • Fax: 864-834-3518 • www.tsbrass.com

ITEM NO.	SALES NO.	DESCRIPTION
1	017919-40	24" Double Joint Swing Nozzle w/ 12" Front Section & 12" Back Section
2	062X	12" Swing Nozzle
3	B-PT	Stream Regulator Outlet
4	001048-45	Nozzle Tip Washer
5	009538-45	Swivel Washer
6	011429-45	Swivel Sleeves (2)
7	001074-45	O-Ring
8	005959-40	Eterna Cartridge, LTC
9	002713-40	Eterna Cartridge, LTC w/ Handle, Index & Screw
10	001660-45	Blue Index-CW
11	000922-45	Lever Handle Screw
12	002290-45	Lock Washer
13	000965-45	Lock Nut
14	012534-45	18" Flexible Supply Hose (2)
15	005960-40	Eterna Cartridge, RTC
16	001638-45	Lever Handle
17	002714-40	Eterna Cartridge, RTC w/ Handle, Index & Screw
18	001661-45	Red Index-HW
19	002871-40	Double Joint Swing Nozzle 12" Back Section



Product Specifications:

Single Hole Deck Mount Mixing Faucet, Eterna Cartridges, 24" Double-Joint Nozzle w/ Stream Regulator Outlet & 18" Flexible Stainless Steel Supply Hoses w/ 1/2" NPT Male Inlets

Product Compliance:

ASME A112.18.1 / CSA B125.1
NSF 61 - Section 9
NSF 372 (Low Lead Content)
ANSI A117.1 (ADA)