



T&S BRASS AND BRONZE WORKS, INC.

2 Saddleback Cove / P.O. Box 1088
Travelers Rest, SC 29690

Model No.

B-0273

Item No.

Travelers Rest, SC: 800-476-4103 • Simi Valley, CA: 800-423-0150 • Fax: 864-834-3518 • www.tsbrass.com

This Space for Architect/Engineer Approval

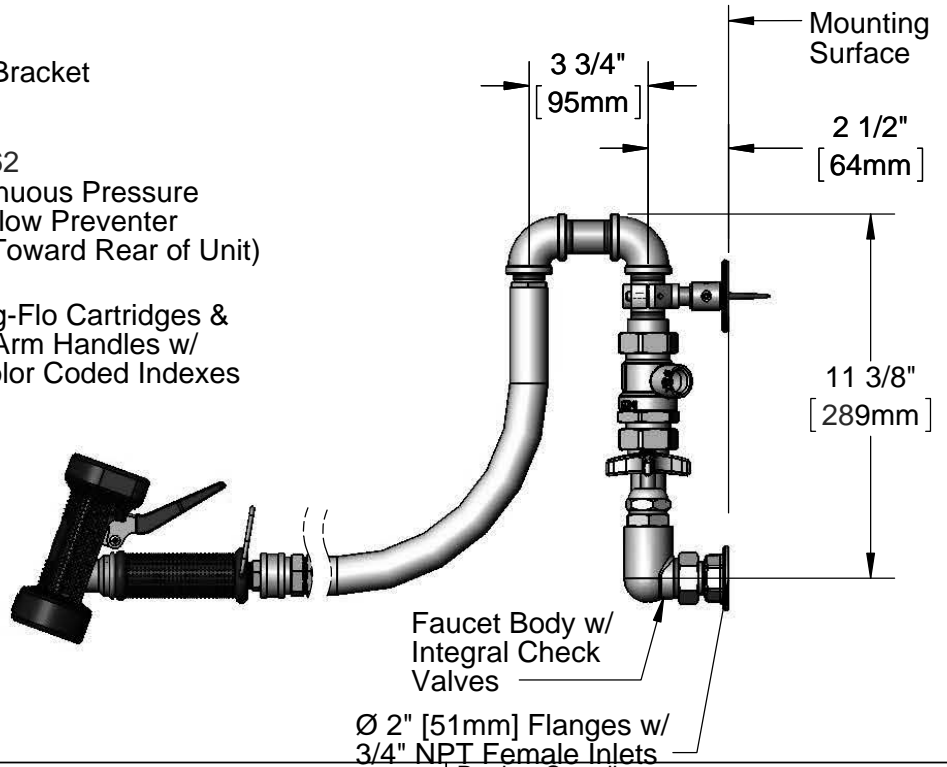
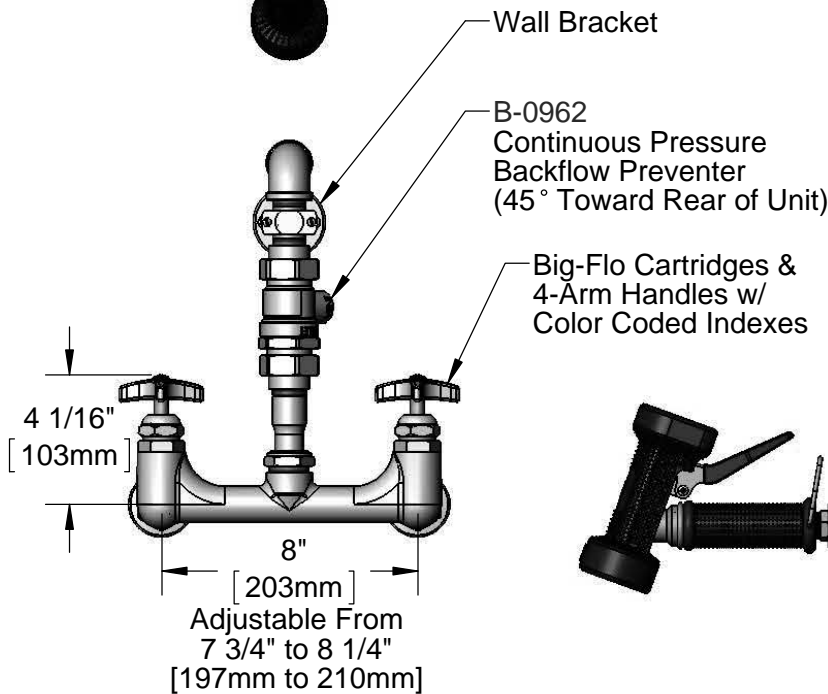
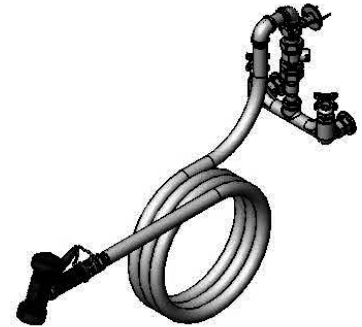
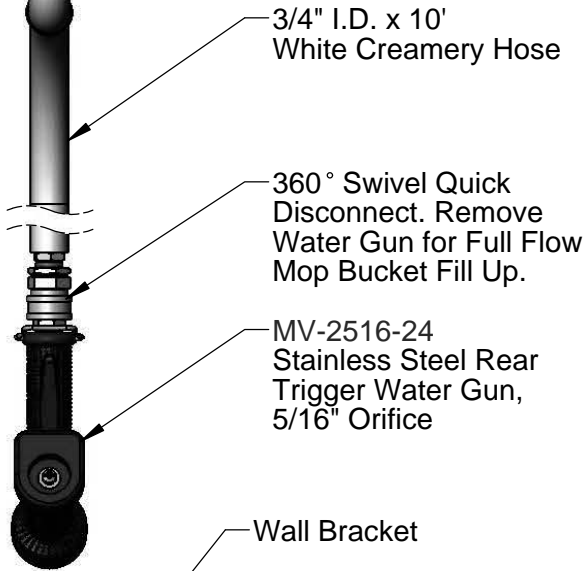
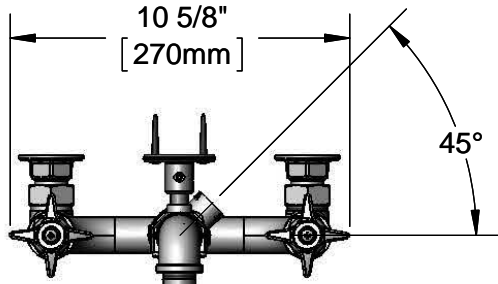
Job Name _____ Date _____

Model Specified _____ Quantity _____

Customer/Wholesaler _____

Contractor _____

Architect/Engineer _____

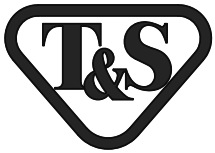


Product Specifications:

8" Wall Mount Big-Flo Mixing Faucet, 4-Arm Handles, Backflow Preventer, Wall Bracket, 10' White Creamery Hose, Quick Disconnect, Rear Trigger Water Gun, Integral Check Valves & 3/4" NPT Female Inlets

Product Compliance:

ASME A112.18.1 / CSA B125.1
NSF 61 Exempt (Non-Potable)



T&S BRASS AND BRONZE WORKS, INC.

2 Saddleback Cove / P.O. Box 1088
Travelers Rest, SC 29690

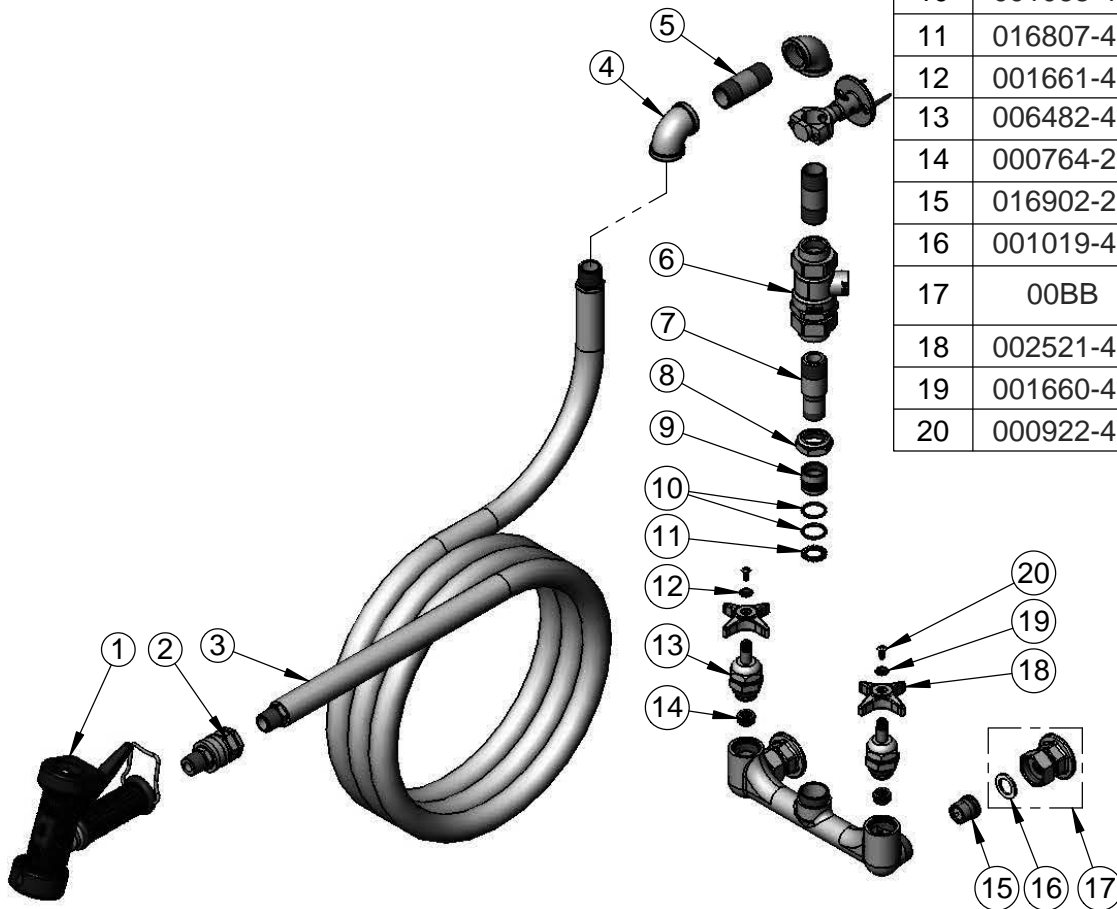
Model No.

B-0273

Item No.

Travelers Rest, SC: 800-476-4103 • Simi Valley, CA: 800-423-0150 • Fax: 864-834-3518 • www.tsbrass.com

ITEM NO.	SALES NO.	DESCRIPTION
1	MV-2516-24	Stainless Steel Rear Trigger Water Gun, 5/16" Orifice
2	B-0273-QD	1/2" NPT Washdown Quick Disconnect
3	014034-45	3/4" I.D. x 10' White Creamery Hose
4	001720-40	3/4" NPT Elbow
5	004525-40	3/4" NPT x 2 1/2" Nipple
6	B-0962	3/4" NPT Continuous Pressure Backflow Preventer
7	016808-40	Big-Flo EasyInstall Add-on Faucet Nipple
8	000724-25	Big-Flo Swivel Nut
9	000847-20	Big-Flo Swivel Piece
10	001068-45	O-ring
11	016807-45	Serrated Lock Washer
12	001661-45	Red Index-HW
13	006482-40	Big-Flo Cartridge, RTC
14	000764-20	Seat, Big-Flo
15	016902-20	Big-Flo Check Valve
16	001019-45	Coupling Nut Washer
17	00BB	3/4" NPT Female Eccentric Flange
18	002521-45	4-Arm Handle
19	001660-45	Blue Index-CW
20	000922-45	Lever Handle Screw



Product Specifications:

8" Wall Mount Big-Flo Mixing Faucet, 4-Arm Handles, Backflow Preventer, Wall Bracket, 10' White Creamery Hose, Quick Disconnect, Rear Trigger Water Gun, Integral Check Valves & 3/4" NPT Female Inlets

Product Compliance:

ASME A112.18.1 / CSA B125.1
NSF 61 Exempt (Non-Potable)