



# T&S BRASS AND BRONZE WORKS, INC.

2 Saddleback Cove / P.O. Box 1088  
Travelers Rest, SC 29690

Model No.

**B-0287-427-BC**

Item No.

Travelers Rest, SC: 800-476-4103 • Simi Valley, CA: 800-423-0150 • Fax: 864-834-3518 • www.tsbrass.com

This Space for Architect/Engineer Approval

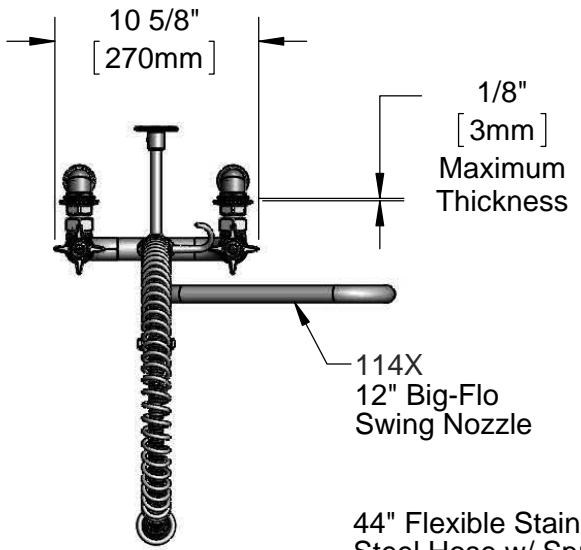
Job Name \_\_\_\_\_ Date \_\_\_\_\_

Model Specified \_\_\_\_\_ Quantity \_\_\_\_\_

Customer/Wholesaler \_\_\_\_\_

Contractor \_\_\_\_\_

Architect/Engineer \_\_\_\_\_



114X  
12" Big-Flo  
Swing Nozzle

44" Flexible Stainless  
Steel Hose w/ Spring  
& Spray Valve

3/8" NPT x 18" Riser

Finger Hook

B-0107-C  
0.65 GPM  
Low Flow  
Spray Valve

38 11/16"  
[982mm]

B-0109-01  
6" Wall  
Bracket

2 3/8"  
[60mm]

EasyInstall Add-On  
Faucet w/ Big-Flo  
Cartridge & 4-Arm  
Handle

Items Not Shown  
for Clarity

EasyInstall  
Lock Nut &  
Bushing

Big-Flo Cartridges  
& 4-Arm Handles  
w/ Color Coded  
Indexes

12"  
[305mm]

9 15/16"  
[252mm]

8"  
[204mm]

Ø2"  
[52mm]  
Flanges

8"  
[203mm]

Faucet Body w/  
Integral Check Valves

3/4" Short Elbow Inlets  
& B-0427  
Supply Nipples

Adjustable from  
7 3/4" to 8 1/4"  
[197mm to 210mm]

14 1/8"  
[358mm]

1 1/16"  
[26mm]

2 1/2"  
[64mm]

Mounting  
Surface

Rough-In Requirement:  
(2) Ø 1 1/4" [32mm] Mounting Holes

**Product Specifications:**

Pre-Rinse Unit: EasyInstall 8" Wall Mount Big-Flo Mixing Faucet, Big-Flo Cartridges, Check Valves, 4-Arm Handles, Big-Flo Add-On Faucet, 12" Swing Nozzle, 0.65 GPM Low Flow Spray Valve, 44" Flexible Stainless Steel Hose, 6" Wall Bracket, 3/4" Short Elbow Inlets & Supply Nipples

**Product Compliance:**

ASME A112.18.1 / CSA B125.1  
NSF 61 - Section 9  
NSF 372 (Low Lead Content)  
EPA Act 2005 (PRSV)  
EPA WaterSense (PRSV)



# T&S BRASS AND BRONZE WORKS, INC.

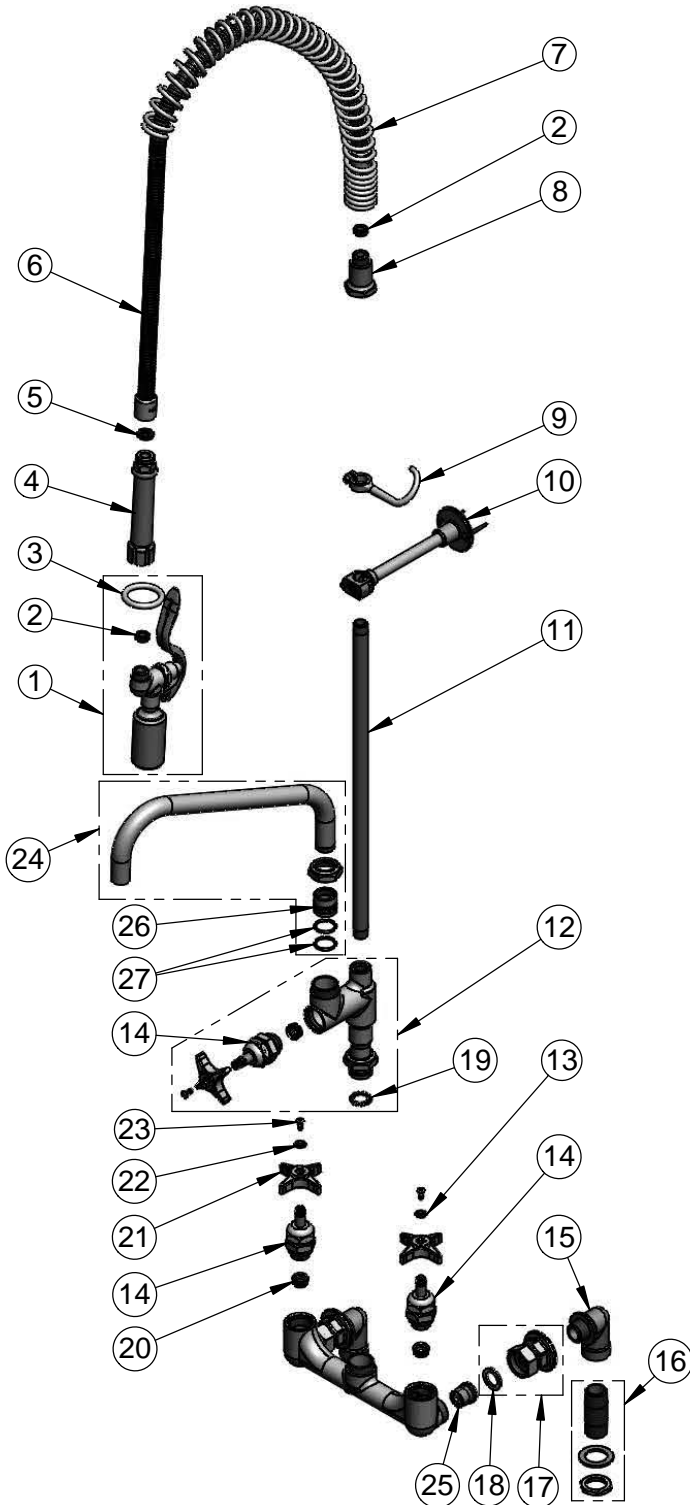
2 Saddleback Cove / P.O. Box 1088  
Travelers Rest, SC 29690

Model No.

**B-0287-427-BC**

Item No.

Travelers Rest, SC: 800-476-4103 • Simi Valley, CA: 800-423-0150 • Fax: 864-834-3518 • www.tsbrass.com



ITEM NO.	SALES NO.	DESCRIPTION
1	B-0107-C	0.65 GPM Low Flow Spray Valve
2	010476-45	#27 Washer
3	000907-45	Spray Valve Hold Down Ring
4	002987-40	Grip Handle
5	001014-45	Washer, B-0100 Hose Barrel
6	B-0044-H2A	44" Flexible Stainless Steel Hose, Less Handle
7	000888-45	EasyInstall Overhead Spring
8	000821-40	Spring Body
9	004R	Finger Hook
10	B-0109-01	6" Wall Bracket
11	000369-40	3/8" NPT x 18" Riser
12	B-0286-LNEZ	EasyInstall Big-Flo Add-On Faucet
13	001660-45	Blue Index-CW
14	006482-40	Big-Flo Cartridge, RTC
15	00LL	3/4" Short Elbow Inlet
16	B-0427	3/4" NPT Supply Nipple Kit
17	00BB	3/4" NPT Female Eccentric Flange
18	001019-45	Coupling Nut Washer
19	016807-45	Serrated Lock Washer
20	000764-20	Seat, Big-Flo
21	002521-45	4-Arm Handle
22	001661-45	Red Index-HW
23	000922-45	Lever Handle Screw
24	114X	12" Big-Flo Swing Nozzle
25	016902-20	Big-Flo Check Valve
26	000847-20	Swivel Piece
27	001068-45	O-Ring

**Product Specifications:**

Pre-Rinse Unit: EasyInstall 8" Wall Mount Big-Flo Mixing Faucet, Big-Flo Cartridges, Check Valves, 4-Arm Handles, Big-Flo Add-On Faucet, 12" Swing Nozzle, 0.65 GPM Low Flow Spray Valve, 44" Flexible Stainless Steel Hose, 6" Wall Bracket, 3/4" Short Elbow Inlets & Supply Nipples

**Product Compliance:**

ASME A112.18.1 / CSA B125.1  
NSF 61 - Section 9  
NSF 372 (Low Lead Content)  
EPA Act 2005 (PRSV)  
EPA WaterSense (PRSV)