



T&S BRASS AND BRONZE WORKS, INC.
 2 Saddleback Cove / P.O. Box 1088
 Travelers Rest, SC 29690

Model No.
B-0287-427-B

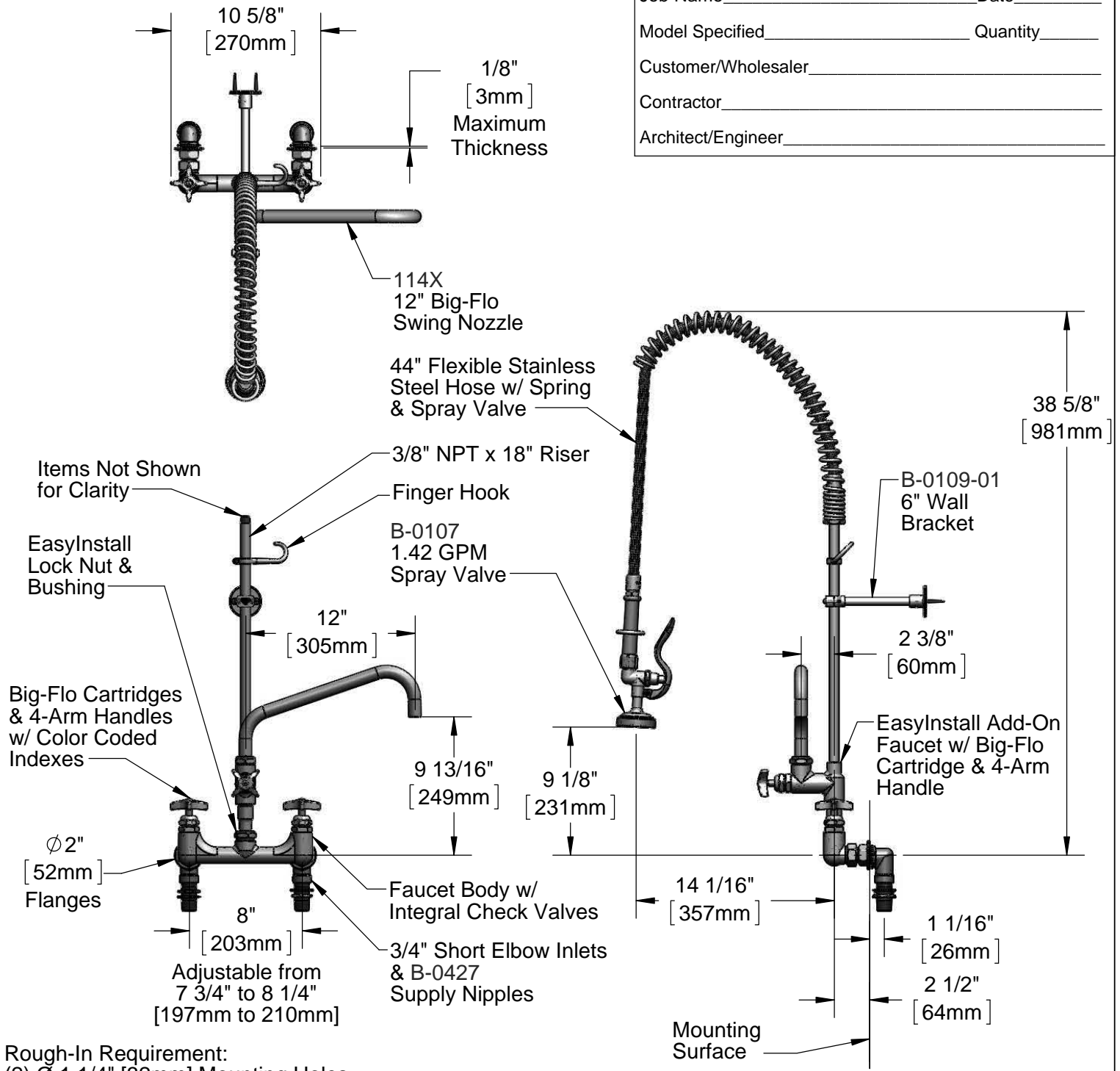
Item No.

Travelers Rest, SC: 800-476-4103 • Simi Valley, CA: 800-423-0150 • Fax: 864-834-3518 • www.tsbrass.com

EPAct 2005 Compliant

This Space for Architect/Engineer Approval

Job Name _____ Date _____
 Model Specified _____ Quantity _____
 Customer/Wholesaler _____
 Contractor _____
 Architect/Engineer _____



Rough-In Requirement:
 (2) \varnothing 1 1/4" [32mm] Mounting Holes

Product Specifications:
 Pre-Rinse Unit: 8" Back Splash Mount BIG-FLO Faucet w/ Big-FLO Cartridges, Check Valves, 4-Arm Handles, EasyInstall BIG-FLO Add-On Faucet w/ 12" Swing Nozzle, 44" Flexible Stainless Steel Hose, 1.42 GPM Spray Valve, 6" Wall Bracket, 3/4" Short Elbow Inlets & Supply Nipples

Drawn KJG	Checked GEF	Approved JHB
Scale: 1:10		Date: 06/25/13



T&S BRASS AND BRONZE WORKS, INC.

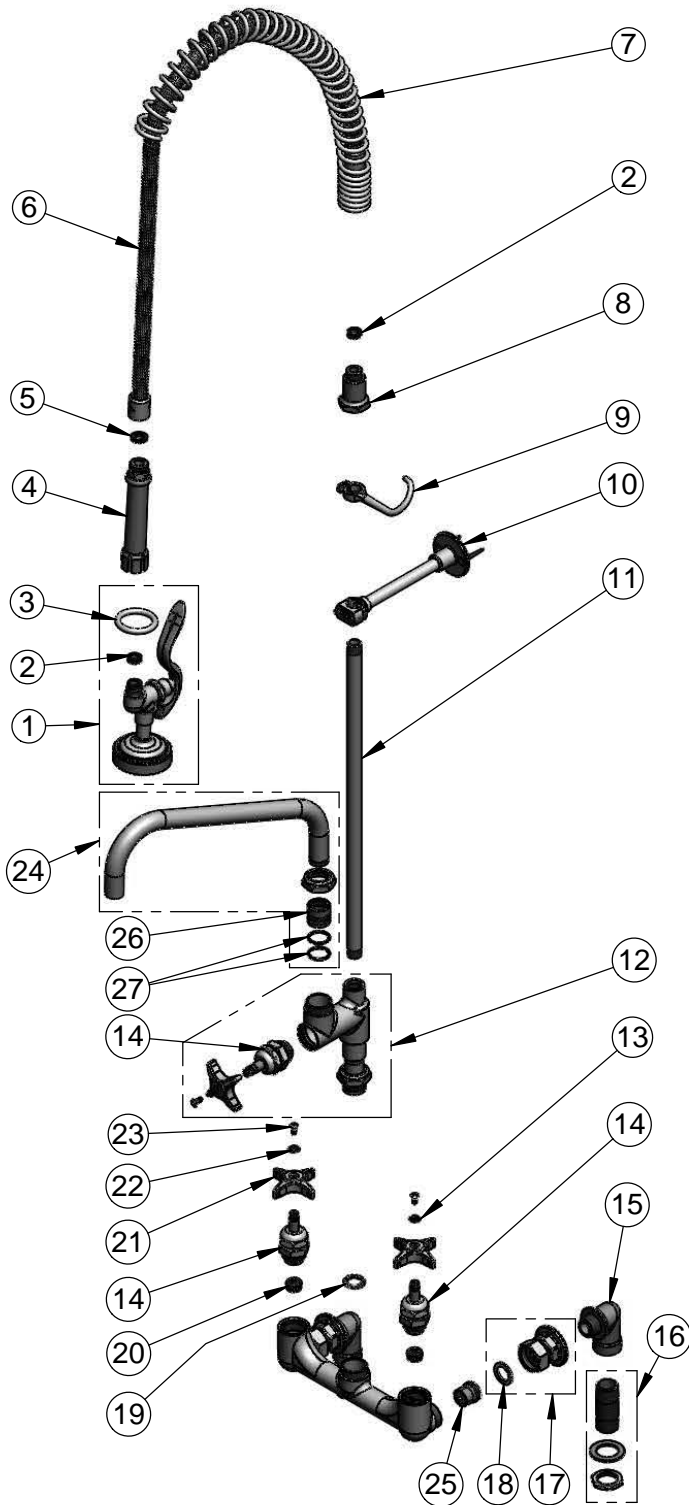
2 Saddleback Cove / P.O. Box 1088
Travelers Rest, SC 29690

Model No.

B-0287-427-B

Item No.

Travelers Rest, SC: 800-476-4103 • Simi Valley, CA: 800-423-0150 • Fax: 864-834-3518 • www.tsbrass.com



ITEM NO.	SALES NO.	DESCRIPTION
1	B-0107	1.42 GPM Spray Valve
2	010476-45	#27 Washer
3	000907-45	Spray Valve Hold Down Ring
4	002987-40	Grip Handle
5	001014-45	Washer, B-0100 Hose Barrel
6	B-0044-H2A	44" Flexible Stainless Steel Hose, Less Handle
7	000888-45	EasyInstall Overhead Spring
8	000821-40	Spring Body
9	004R	Finger Hook
10	B-0109-01	6" Wall Bracket
11	000369-40	3/8" NPT x 18" Long Riser
12	B-0286-LNEZ	EasyInstall Big-Flo Add-On Faucet
13	001660-45	Blue Index-CW
14	006482-40	B-0290 BIG-FLO Cartridge, RTC
15	00LL	3/4" Short Elbow Inlet
16	B-0427	3/4" NPT Supply Nipple Kit
17	00BB	3/4" NPT Female Eccentric Flange
18	001019-45	Coupling Nut Washer
19	016807-45	Serrated Lock Washer
20	000764-20	Seat, Big-Flo
21	002521-45	4-Arm Handle
22	001661-45	Red Index-HW
23	000922-45	Lever Handle Screw
24	114X	12" Big-Flo Swing Nozzle
25	016902-20	Big-Flo Check Valve
26	000847-20	Swivel Piece
27	001068-45	O-Ring

Product Specifications:

Pre-Rinse Unit: 8" Back Splash Mount BIG-FLO Faucet w/ Big-Flo Cartridges, Check Valves, 4-Arm Handles, EasyInstall BIG-FLO Add-On Faucet w/ 12" Swing Nozzle, 44" Flexible Stainless Steel Hose, 1.42 GPM Spray Valve, 6" Wall Bracket, 3/4" Short Elbow Inlets & Supply Nipples

Drawn

KJG

Checked

GEF

Approved

JHB

Scale:

NTS

Date:

06/25/13