



T&S BRASS AND BRONZE WORKS, INC.
 2 Saddleback Cove / P.O. Box 1088
 Travelers Rest, SC 29690

Model No.
B-0287

Item No.

Travelers Rest, SC: 800-476-4103 • Simi Valley, CA: 800-423-0150 • Fax: 864-834-3518 • www.tsbrass.com

This Space for Architect/Engineer Approval

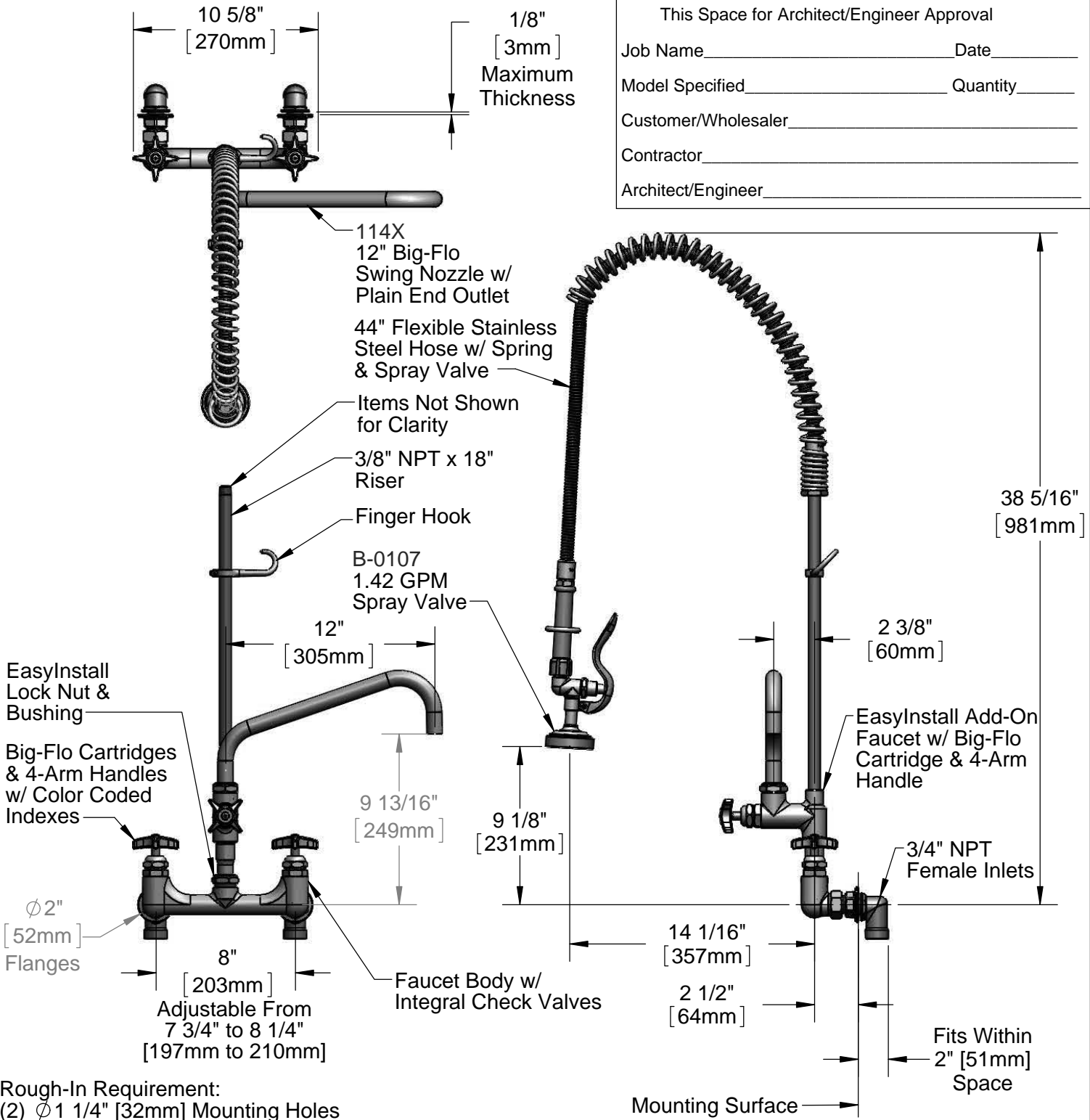
Job Name _____ Date _____

Model Specified _____ Quantity _____

Customer/Wholesaler _____

Contractor _____

Architect/Engineer _____



Rough-In Requirement:
 (2) Ø 1 1/4" [32mm] Mounting Holes

Product Specifications:
 Pre-Rinse Unit: EasyInstall 8" Wall Mount Big-Flo Mixing Faucet, Big-Flo Cartridges, Check Valves, 4-Arm Handles, Big-Flo Add-On Faucet, 12" Swing Nozzle, 44" Flexible Stainless Steel Hose, 1.42 GPM Spray Valve & 3/4" NPT Female Inlets

Product Compliance:
 ASME A112.18.1 / CSA B125.1
 NSF 61 - Section 9
 NSF 372 (Low Lead Content)
 EPA Act 2005 (PRSV)



T&S BRASS AND BRONZE WORKS, INC.

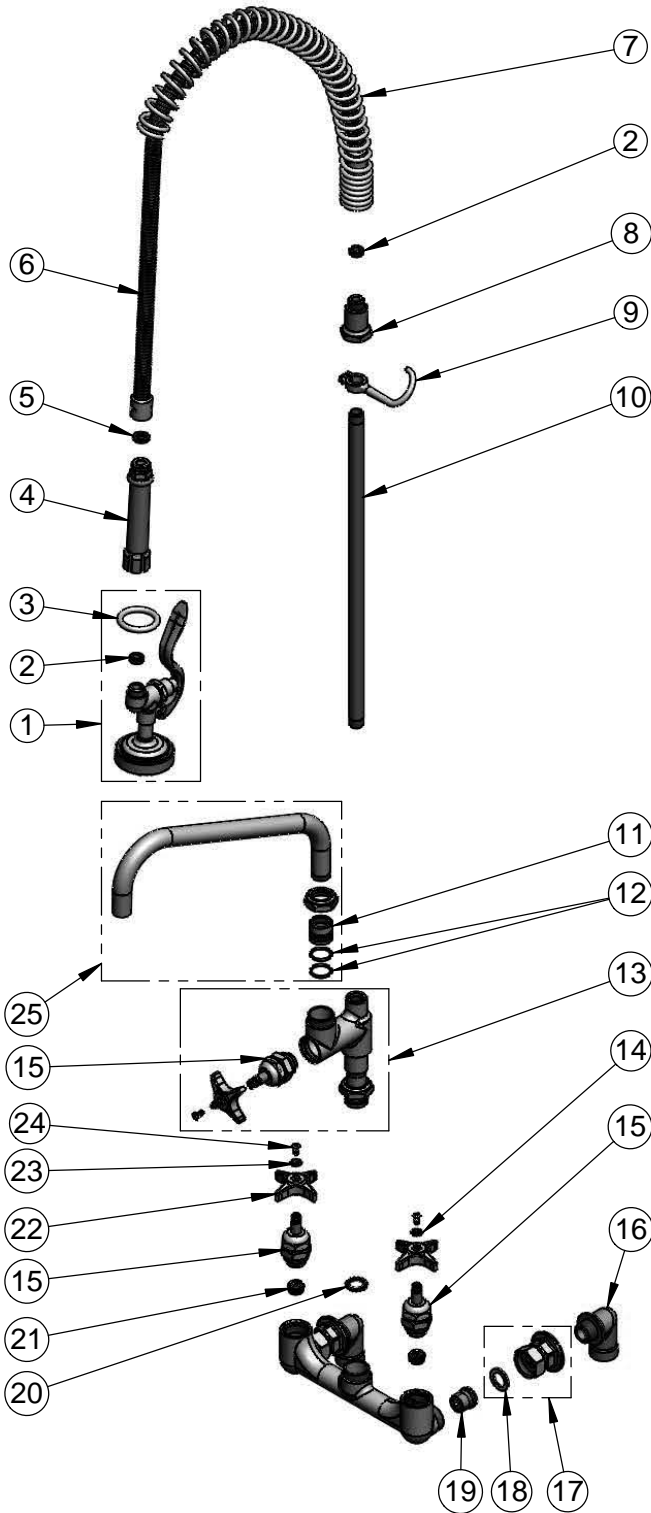
2 Saddleback Cove / P.O. Box 1088
Travelers Rest, SC 29690

Model No.

B-0287

Item No.

Travelers Rest, SC: 800-476-4103 • Simi Valley, CA: 800-423-0150 • Fax: 864-834-3518 • www.tsbrass.com



ITEM NO.	SALES NO.	DESCRIPTION
1	B-0107	1.42 GPM Spray Valve
2	010476-45	#27 Washer
3	000907-45	Spray Valve Hold Down Ring
4	002987-40	Grip Handle
5	001014-45	Washer, B-0100 Hose Barrel
6	B-0044-H2A	44" Flexible Stainless Steel Hose, Less Handle
7	000888-45	EasyInstall Overhead Spring
8	000821-40	Spring Body
9	004R	Finger Hook
10	000369-40	3/8" NPT x 18" Riser
11	000847-20	Big-Flo Swivel Piece
12	001068-45	O-ring
13	B-0286-LNEZ	EasyInstall Big-Flo Add-On Faucet
14	001660-45	Blue Index-CW
15	006482-40	Big-Flo Cartridge, RTC
16	00LL	3/4" Short Elbow Inlet
17	00BB	3/4" NPT Female Eccentric Flange
18	001019-45	Coupling Nut Washer
19	016902-20	Big-Flo Check Valve
20	016807-45	Serrated Lock Washer
21	000764-20	Seat, Big-Flo
22	002521-45	4-Arm Handle
23	001661-45	Red Index-HW
24	000922-45	Lever Handle Screw
25	114X	12" Big-Flo Swing Nozzle

Product Specifications:

Pre-Rinse Unit: EasyInstall 8" Wall Mount Big-Flo Mixing Faucet, Big-Flo Cartridges, Check Valves, 4-Arm Handles, Big-Flo Add-On Faucet, 12" Swing Nozzle, 44" Flexible Stainless Steel Hose, 1.42 GPM Spray Valve & 3/4" NPT Female Inlets

Product Compliance:

ASME A112.18.1 / CSA B125.1
NSF 61 - Section 9
NSF 372 (Low Lead Content)
EPA Act 2005 (PRSV)