



T&S BRASS AND BRONZE WORKS, INC.

2 Saddleback Cove / P.O. Box 1088
Travelers Rest, SC 29690

Model No.

B-0290-01

Item No.

Travelers Rest, SC: 800-476-4103 • Simi Valley, CA: 800-423-0150 • Fax: 864-834-3518 • www.tsbrass.com



ADA Compliant

This Space for Architect/Engineer Approval

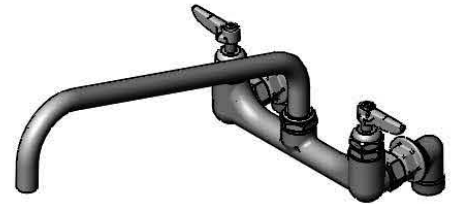
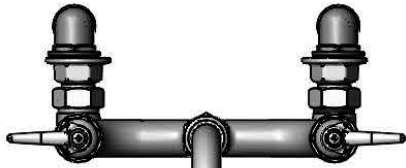
Job Name _____ Date _____

Model Specified _____ Quantity _____

Customer/Wholesaler _____

Contractor _____

Architect/Engineer _____



Big-Flo 16" Swing
Nozzle w/ Plain End
Outlet

Big-Flo Cartridges
& Lever Handles w/
Color Coded Indexes

16"
[406mm]

9 1/2"
[241mm]

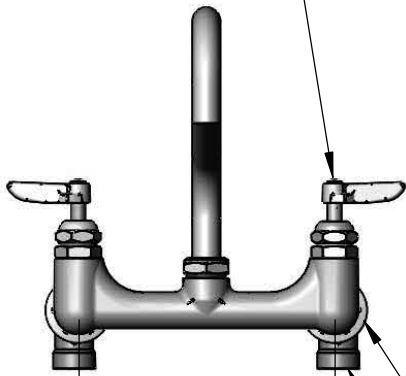
5 13/16"
[148mm]

Mounting
Surface

2 1/2"
[64mm]

1 13/16"
[46mm]

Fits Within
2" [51mm]
Space



8"
[203mm]

Adjustable from
7 3/4" to 8 1/4"
[197mm to 210mm]

Ø 2" [51mm] Flanges

3/4" NPT
Female Inlets

Rough-In Requirement:
(2) Ø 1 1/4" [382mm] Mounting Holes

Product Specifications:
8" Wall Mount Big-Flo Mixing Faucet, Big-Flo Cartridges, Lever Handles,
16" Big-Flo Swing Nozzle & 3/4" NPT Female Inlets

Product Compliance:
ASME A112.18.1 / CSA B125.1
NSF 61 - Section 9
NSF 372 (Low Lead Content)
ANSI A117.1 (ADA)



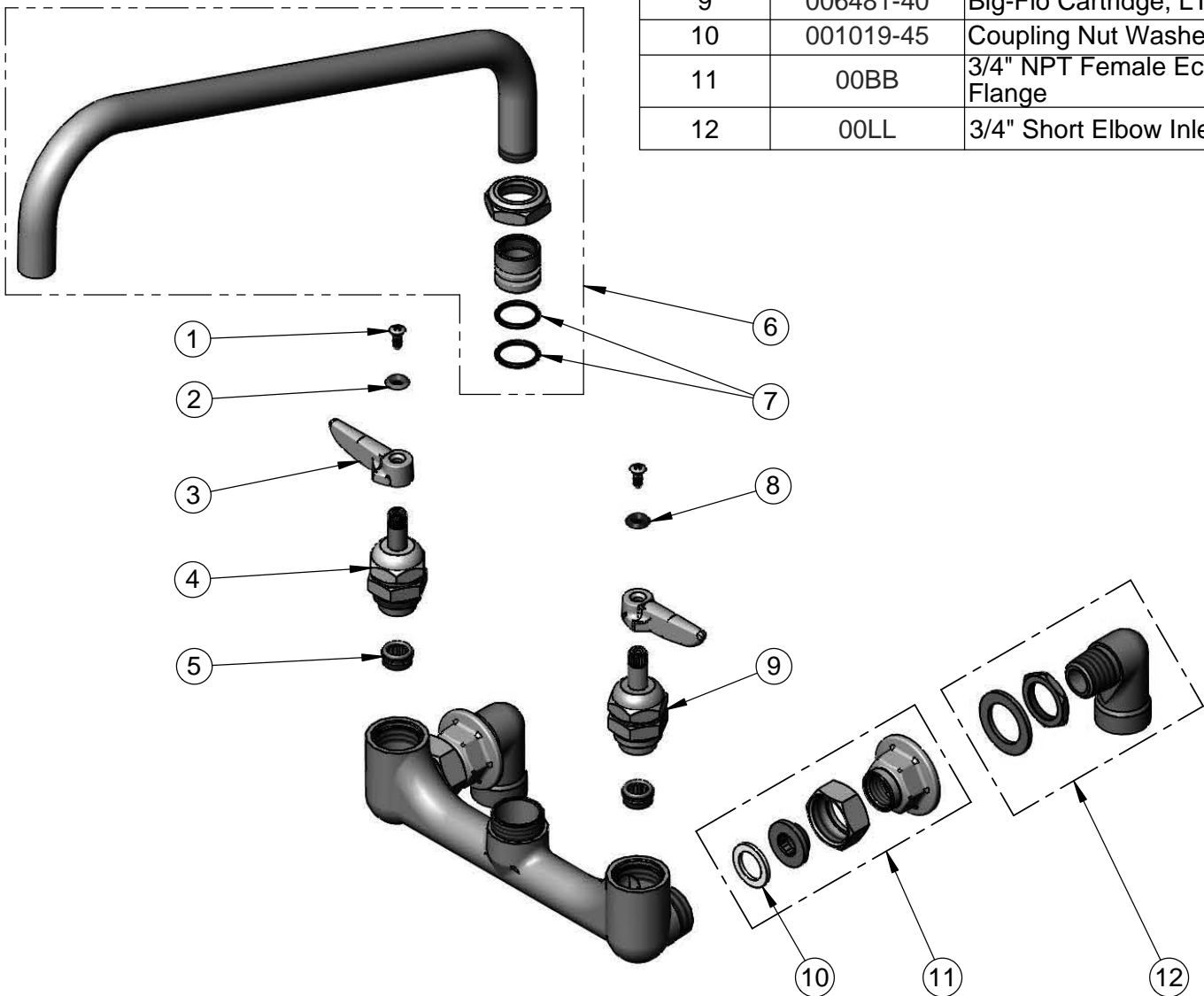
T&S BRASS AND BRONZE WORKS, INC.
 2 Saddleback Cove / P.O. Box 1088
 Travelers Rest, SC 29690

Model No.
B-0290-01

Item No.

Travelers Rest, SC: 800-476-4103 • Simi Valley, CA: 800-423-0150 • Fax: 864-834-3518 • www.tsbrass.com

ITEM NO.	SALES NO.	DESCRIPTION
1	000922-45	Lever Handle Screw
2	001661-45	Red Index-HW
3	001638-45	Lever Handle
4	006482-40	Big-Flo Cartridge, RTC
5	000764-20	Seat, Big-Flo
6	015297-40	16" Big Flo Swing Nozzle
7	001068-45	O-Ring
8	001660-45	Blue Index-CW
9	006481-40	Big-Flo Cartridge, LTC
10	001019-45	Coupling Nut Washer
11	00BB	3/4" NPT Female Eccentric Flange
12	00LL	3/4" Short Elbow Inlet



Product Specifications:

8" Wall Mount Big-Flo Mixing Faucet, Big-Flo Cartridges, Lever Handles, 16" Big-Flo Swing Nozzle & 3/4" NPT Female Inlets

Product Compliance:

ASME A112.18.1 / CSA B125.1
 NSF 61 - Section 9
 NSF 372 (Low Lead Content)
 ANSI A117.1 (ADA)