



T&S BRASS AND BRONZE WORKS, INC.

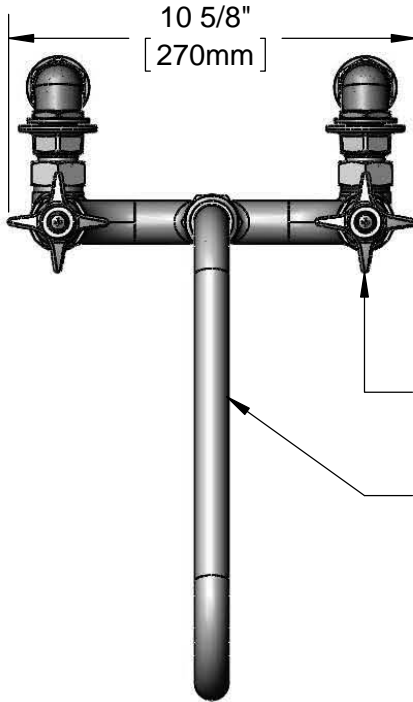
2 Saddleback Cove / P.O. Box 1088
Travelers Rest, SC 29690

Model No.

B-0290-0427

Item No.

Travelers Rest, SC: 800-476-4103 • Simi Valley, CA: 800-423-0150 • Fax: 864-834-3518 • www.tsbrass.com



10 5/8"
[270mm]



ADA Compliant

This Space for Architect/Engineer Approval

Job Name _____ Date _____

Model Specified _____ Quantity _____

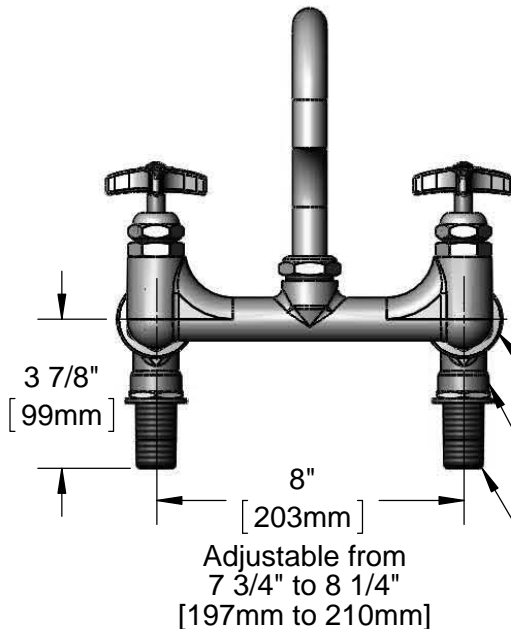
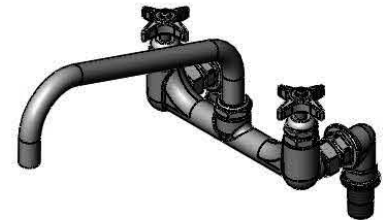
Customer/Wholesaler _____

Contractor _____

Architect/Engineer _____

4-Arm Handles w/
Color Coded Indexes

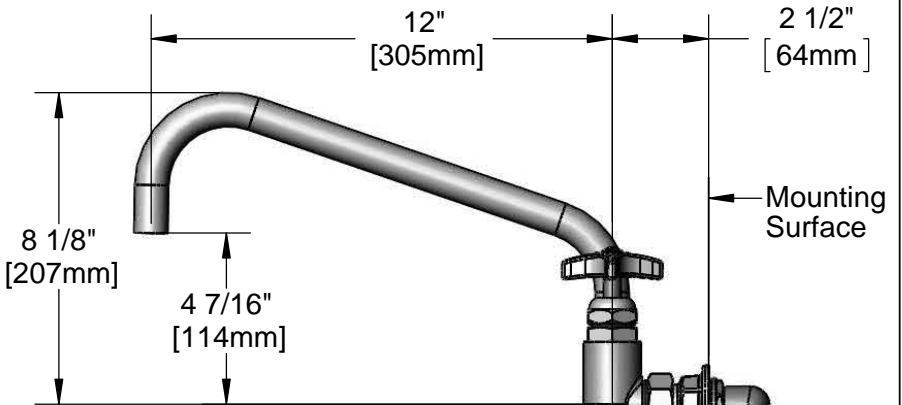
114X
Big-Flo 12" Swing
Nozzle w/ Plain End
Outlet



3 7/8"
[99mm]

8"
[203mm]

Adjustable from
7 3/4" to 8 1/4"
[197mm to 210mm]



12"
[305mm]

2 1/2"
[64mm]

8 1/8"
[207mm]

4 7/16"
[114mm]

Mounting
Surface

Ø2" [51mm] Flanges
w/ 3/4" NPT Female Inlets
When "00LL" Removed

"00LL" Street Elbows
w/ 3/4" NPT Female Inlets

B-0427
3/4" x 2 1/2" Supply Nipple Kits

2 1/2"
[64mm]

Fits Within
2" [51mm]
Space

Rough-In Requirement:
Ø1 1/4" [32mm] Mounting Holes

Product Specifications:

8" Wall Mount Big-Flo Mixing Faucet, Big-Flo Cartridges, 12" Big-Flo Swing Nozzle, 4-Arm Handles, Color Coded Indexes, "00LL" Street Elbows & B-0427 Supply Nipple Kits

Product Compliance:

ASME A112.18.1 / CSA B125.1
NSF 61 - Section 9
NSF 372 (Low Lead Content)
ANSI A117.1 (ADA)



T&S BRASS AND BRONZE WORKS, INC.

2 Saddleback Cove / P.O. Box 1088
Travelers Rest, SC 29690

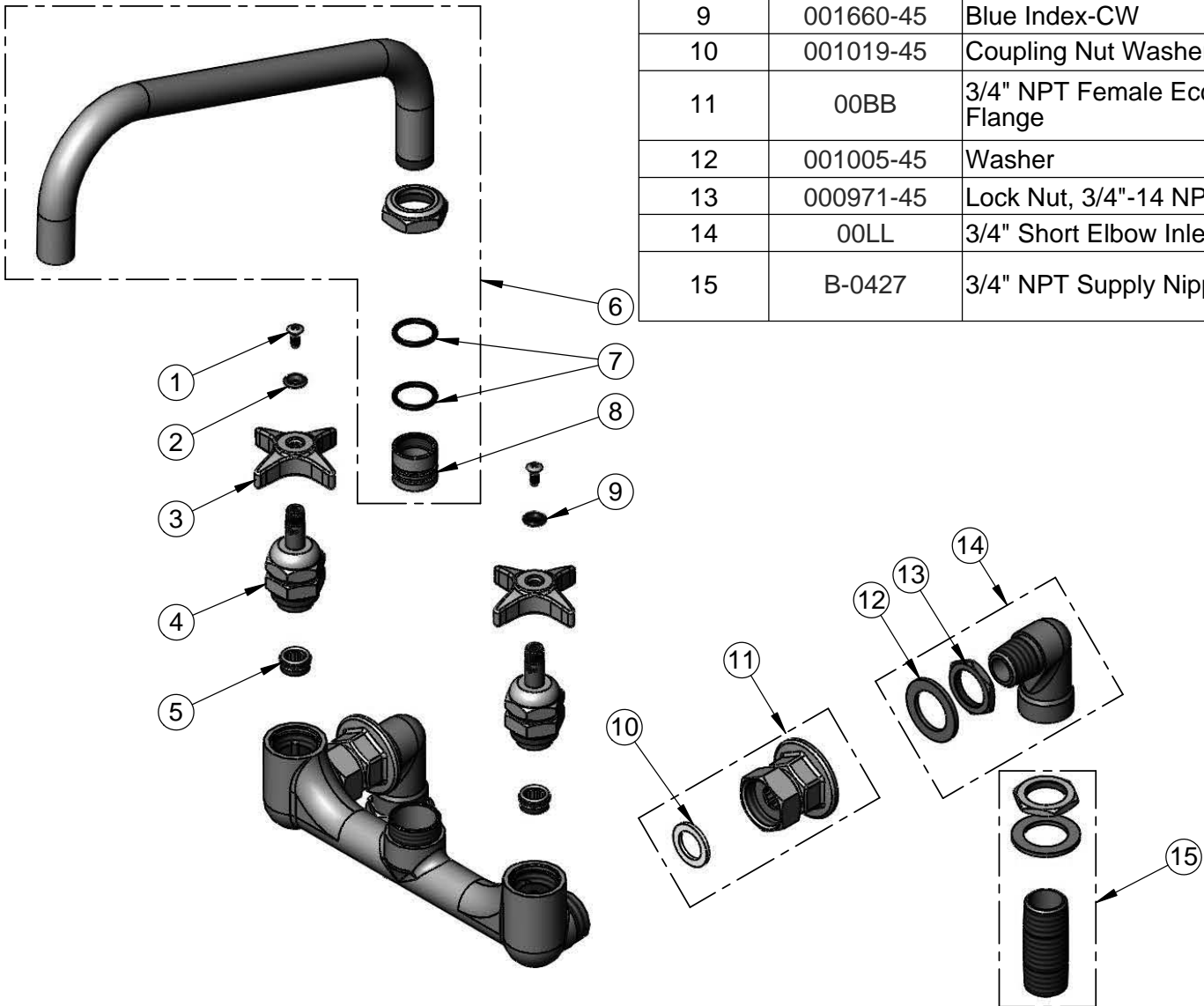
Model No.

B-0290-0427

Item No.

Travelers Rest, SC: 800-476-4103 • Simi Valley, CA: 800-423-0150 • Fax: 864-834-3518 • www.tsbrass.com

ITEM NO.	SALES NO.	DESCRIPTION
1	000922-45	Lever Handle Screw
2	001661-45	Red Index-HW
3	002521-45	4-Arm Handle
4	006482-40	Big-Flo Cartridge, RTC
5	000764-20	Seat, Big-Flo
6	114X	12" Big-Flo Swing Nozzle
7	001068-45	O-ring
8	000847-20	Big-Flo Swivel Piece
9	001660-45	Blue Index-CW
10	001019-45	Coupling Nut Washer
11	00BB	3/4" NPT Female Eccentric Flange
12	001005-45	Washer
13	000971-45	Lock Nut, 3/4"-14 NPSM
14	00LL	3/4" Short Elbow Inlet
15	B-0427	3/4" NPT Supply Nipple Kit



Product Specifications:

8" Wall Mount Big-Flo Mixing Faucet, Big-Flo Cartridges, 12" Big-Flo Swing Nozzle, 4-Arm Handles, Color Coded Indexes, "00LL" Street Elbows & B-0427 Supply Nipple Kits

Product Compliance:

ASME A112.18.1 / CSA B125.1
NSF 61 - Section 9
NSF 372 (Low Lead Content)
ANSI A117.1 (ADA)