



# T&S BRASS AND BRONZE WORKS, INC.

2 Saddleback Cove / P.O. Box 1088  
Travelers Rest, SC 29690

Model No.

**B-0290-112X**

Item No.

Travelers Rest, SC: 800-476-4103 • Simi Valley, CA: 800-423-0150 • Fax: 864-834-3518 • www.tsbrass.com



**ADA Compliant**

This Space for Architect/Engineer Approval

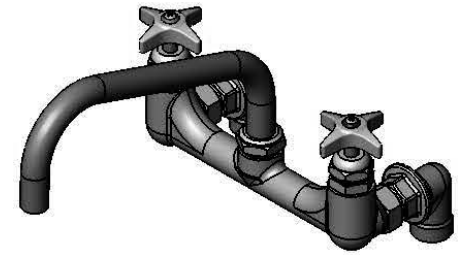
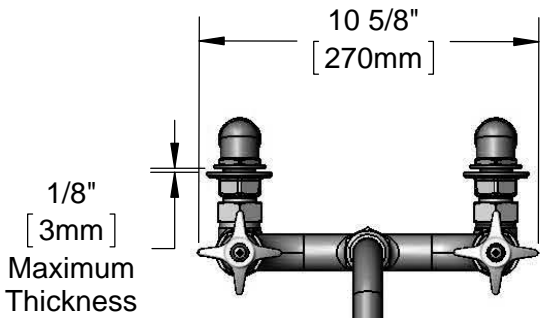
Job Name \_\_\_\_\_ Date \_\_\_\_\_

Model Specified \_\_\_\_\_ Quantity \_\_\_\_\_

Customer/Wholesaler \_\_\_\_\_

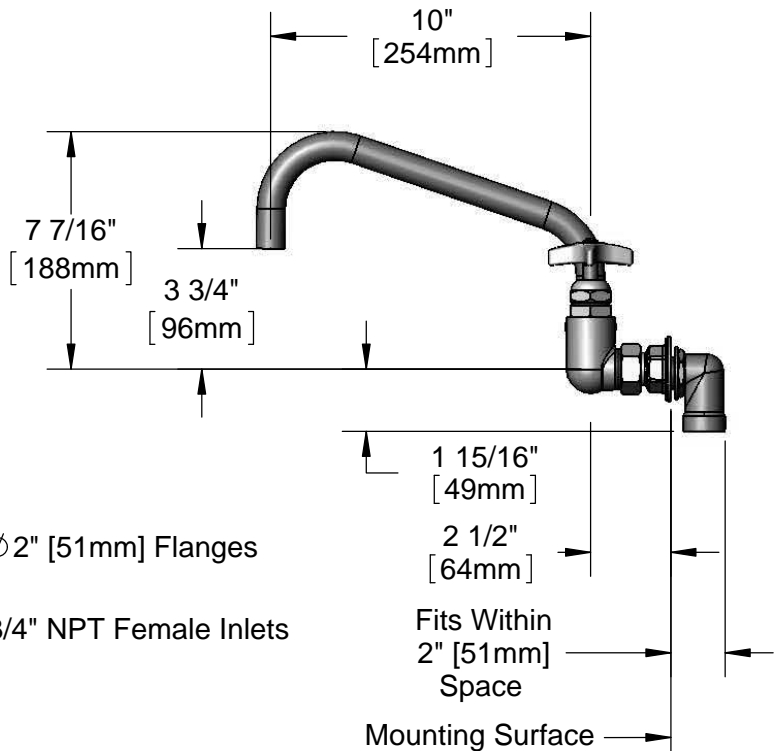
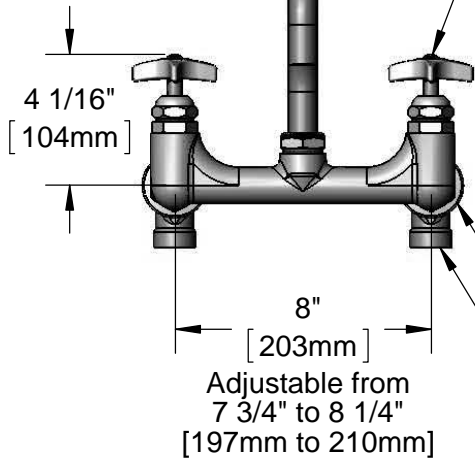
Contractor \_\_\_\_\_

Architect/Engineer \_\_\_\_\_



112X  
10" Big-Flo Swing  
Nozzle w/ Plain End  
Outlet

Big-Flo  
Cartridges &  
4-Arm Handles  
w/ Color Coded  
Indexes



**Rough-In Requirement:**  
(2)  $\phi$  1 1/4" [32mm] Mounting Holes

**Product Specifications:**  
8" Wall Mount Big-Flo Mixing Faucet, Big-Flo Cartridges, 4-Arm Handles, 10" Big-Flo Swing Nozzle & 3/4" NPT Female Inlets

**Product Compliance:**  
ASME A112.18.1 / CSA B125.1  
NSF 61 - Section 9  
NSF 372 (Low Lead Content)  
ANSI A117.1 (ADA)



# T&S BRASS AND BRONZE WORKS, INC.

2 Saddleback Cove / P.O. Box 1088  
Travelers Rest, SC 29690

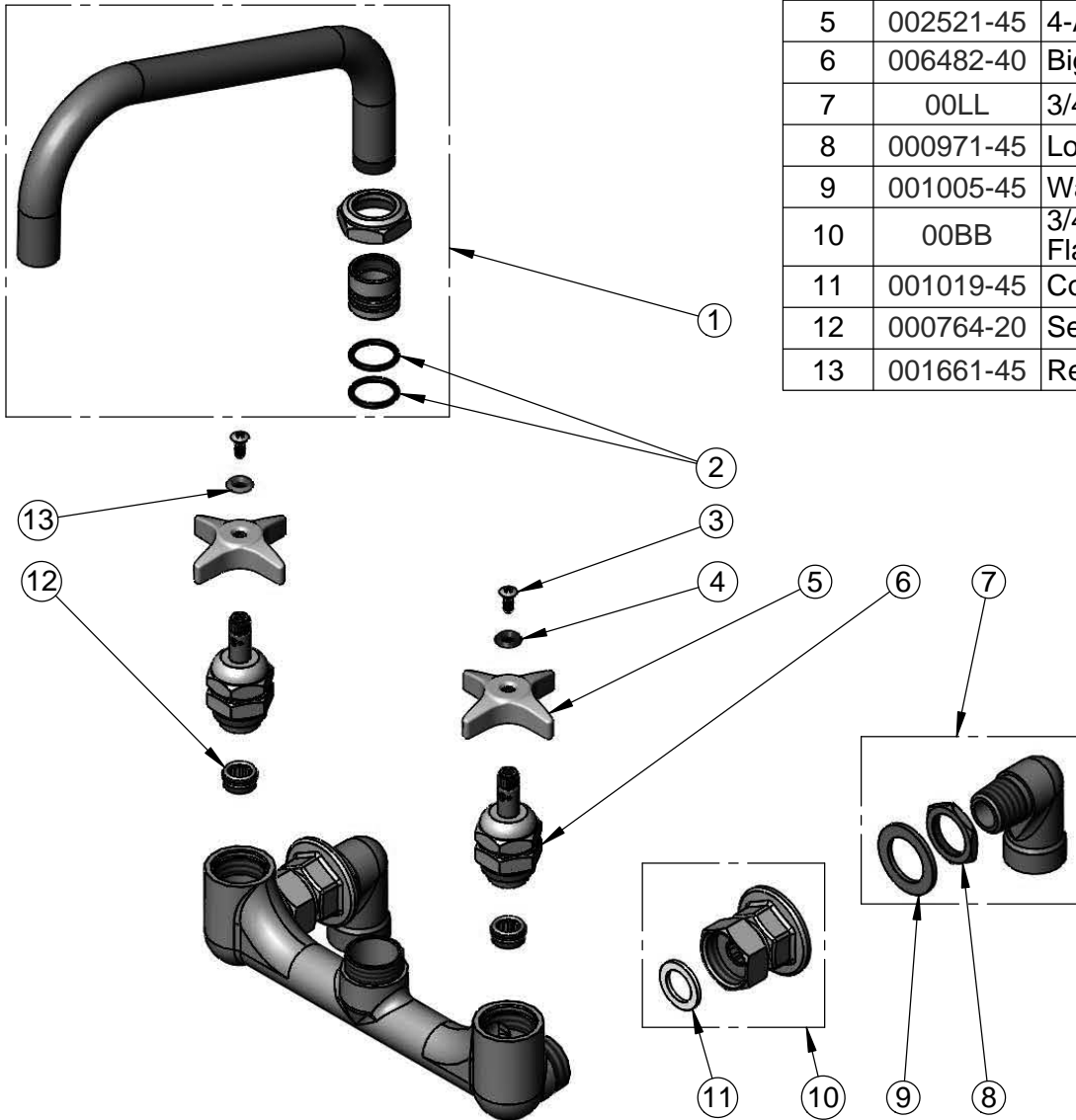
Model No.

**B-0290-112X**

Item No.

Travelers Rest, SC: 800-476-4103 • Simi Valley, CA: 800-423-0150 • Fax: 864-834-3518 • www.tsbrass.com

ITEM NO.	SALES NO.	DESCRIPTION
1	112X	10" Big-Flo Swing Nozzle
2	001068-45	O-ring
3	000922-45	Lever Handle Screw
4	001660-45	Blue Index-CW
5	002521-45	4-Arm Handle
6	006482-40	Big-Flo Cartridge, RTC
7	00LL	3/4" Short Elbow Inlet
8	000971-45	Lock Nut, 3/4"-14 NPSM
9	001005-45	Washer
10	00BB	3/4" NPT Female Eccentric Flange
11	001019-45	Coupling Nut Washer
12	000764-20	Seat, Big-Flo
13	001661-45	Red Index-HW



**Product Specifications:**

8" Wall Mount Big-Flo Mixing Faucet, Big-Flo Cartridges, 4-Arm Handles, 10" Big-Flo Swing Nozzle & 3/4" NPT Female Inlets

**Product Compliance:**

ASME A112.18.1 / CSA B125.1  
NSF 61 - Section 9  
NSF 372 (Low Lead Content)  
ANSI A117.1 (ADA)