



T&S BRASS AND BRONZE WORKS, INC.

2 Saddleback Cove / P.O. Box 1088
Travelers Rest, SC 29690

Model No.

B-0290-14

Item No.

Travelers Rest, SC: 800-476-4103 • Simi Valley, CA: 800-423-0150 • Fax: 864-834-3518 • www.tsbrass.com

This Space for Architect/Engineer Approval

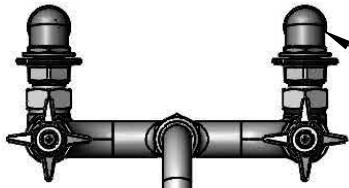
Job Name _____ Date _____

Model Specified _____ Quantity _____

Customer/Wholesaler _____

Contractor _____

Architect/Engineer _____



"00LL" Elbows w/
3/4" NPT Female
Inlets



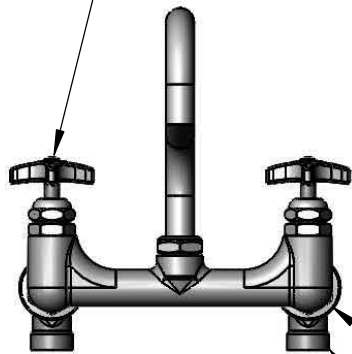
014462-40
Big-Flo 14" Swing Nozzle
w/ Plain End Outlet



ADA Compliant

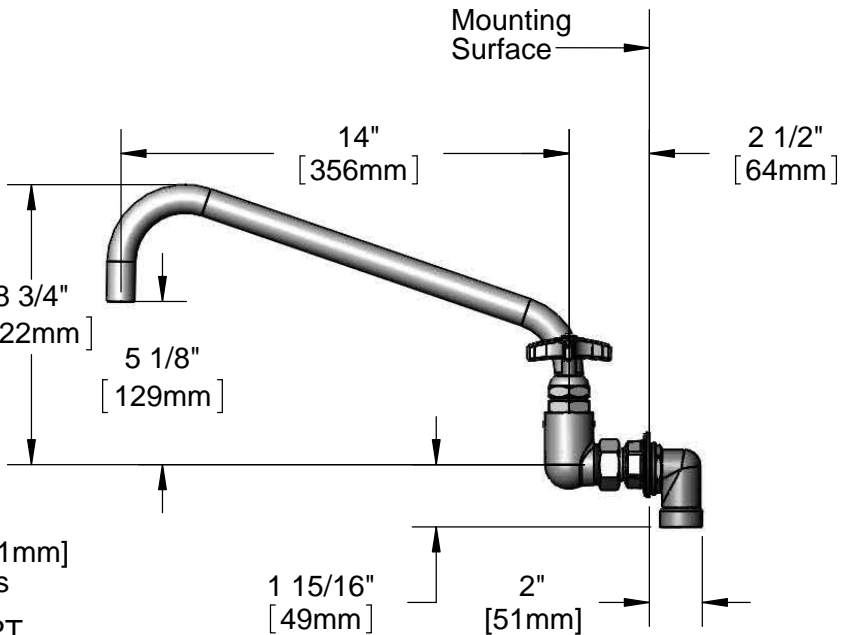


4 Arm Handles w/
Color Coded
Indexes



8"
[203mm]
Adjustable From
7 3/4" to 8 1/4"
[197mm to 210mm]

Ø 2" [51mm]
Flanges
3/4" NPT
Female Inlets



Product Specifications:

8" Wall Mount Mixing Faucet w/ 3/4" NPT Female Inlet Elbows & Big-Flo 14" Swivel Nozzle

Product Compliance:

ASME A112.18.1 / CSA B125.1
NSF 61 - Section 9
NSF 372 (Low Lead Content)
ANSI A117.1 (ADA)



T&S BRASS AND BRONZE WORKS, INC.

2 Saddleback Cove / P.O. Box 1088
Travelers Rest, SC 29690

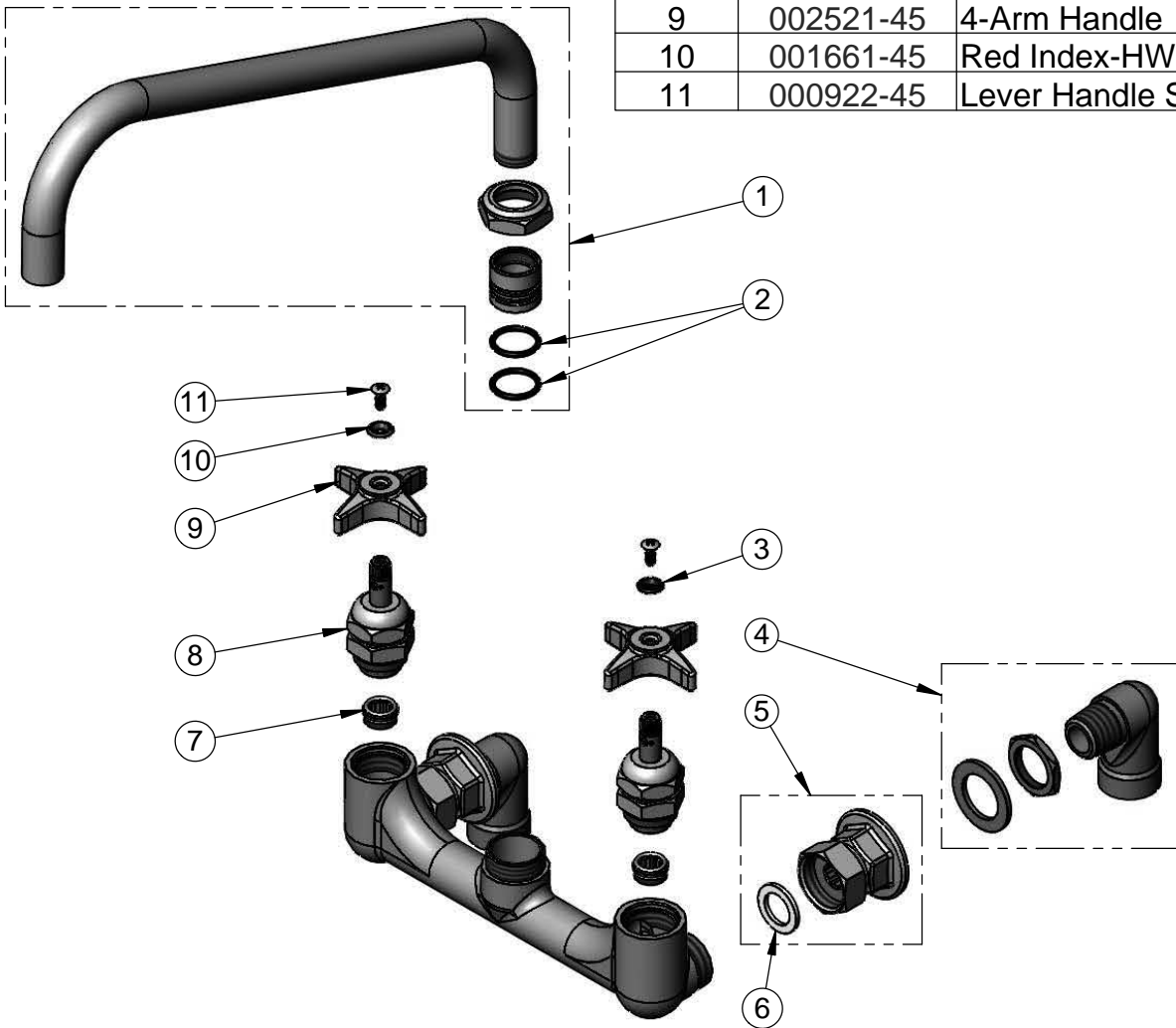
Model No.

B-0290-14

Item No.

Travelers Rest, SC: 800-476-4103 • Simi Valley, CA: 800-423-0150 • Fax: 864-834-3518 • www.tsbrass.com

ITEM NO.	SALES NO.	DESCRIPTION
1	014462-40	14" Big-Flo Swivel Nozzle
2	001068-45	O-ring
3	001660-45	Blue Index-CW
4	00LL	3/4" Short Elbow Inlet
5	00BB	3/4" NPT Inlet Flange
6	001019-45	Coupling Nut Washer
7	000764-20	Seat, Big-Flo
8	006482-40	
9	002521-45	4-Arm Handle
10	001661-45	Red Index-HW
11	000922-45	Lever Handle Screw



Product Specifications:

8" Wall Mount Mixing Faucet w/ 3/4" NPT Female Inlet Elbows & Big-Flo 14" Swivel Nozzle

Product Compliance:

ASME A112.18.1 / CSA B125.1
NSF 61 - Section 9
NSF 372 (Low Lead Content)
ANSI A117.1 (ADA)