



T&S BRASS AND BRONZE WORKS, INC.

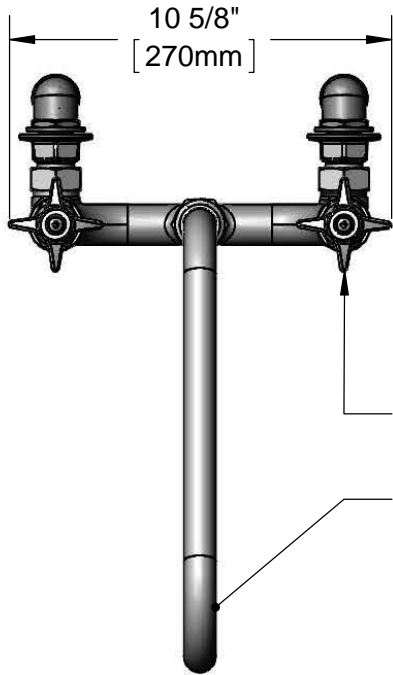
2 Saddleback Cove / P.O. Box 1088
Travelers Rest, SC 29690

Model No.

B-0290-CVH

Item No.

Travelers Rest, SC: 800-476-4103 • Simi Valley, CA: 800-423-0150 • Fax: 864-834-3518 • www.tsbrass.com



10 5/8"
[270mm]



4-Arm Handles w/
Color Coded Indexes

114X
Big-Flo 12" Swing Nozzle
w/ Plain End Outlet

This Space for Architect/Engineer Approval

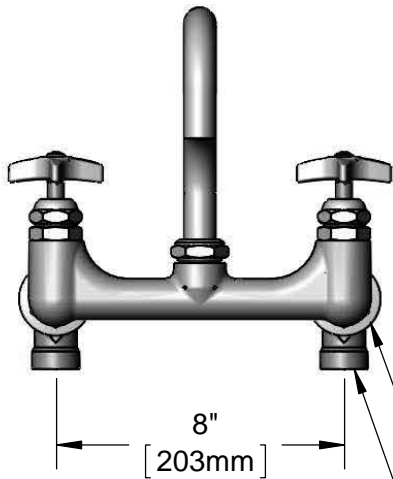
Job Name _____ Date _____

Model Specified _____ Quantity _____

Customer/Wholesaler _____

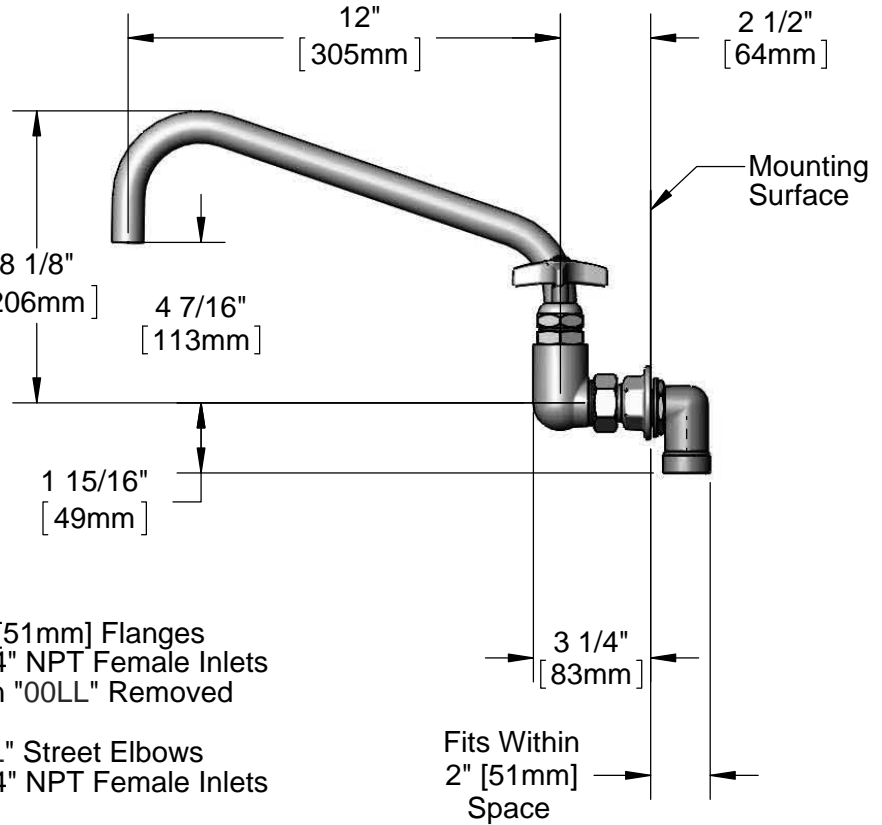
Contractor _____

Architect/Engineer _____



8"
[203mm]

Adjustable from
7 3/4" to 8 1/4"
[197mm to 210mm]



8 1/8"
[206mm]

12"
[305mm]

2 1/2"
[64mm]

4 7/16"
[113mm]

Mounting
Surface

1 15/16"
[49mm]

Ø2" [51mm] Flanges
w/ 3/4" NPT Female Inlets
When "00LL" Removed

3 1/4"
[83mm]

Fits Within
2" [51mm]
Space



(2) B-CVH3-4
3/4" NPT Female
Check Valves
Included

"00LL" Street Elbows
w/ 3/4" NPT Female Inlets

Product Specifications:

8" Wall Mount Big-Flo Mixing Faucet, Big-Flo Cartridges, 12" Big-Flo Swing Nozzle, 4-Arm Handles, Color Coded Indexes, Check Valves & "00LL" Street Elbows

Product Compliance:

ASME A112.18.1 / CSA B125.1
NSF 61 - Section 9
NSF 372 (Low Lead Content)
ANSI A117.1 (ADA)



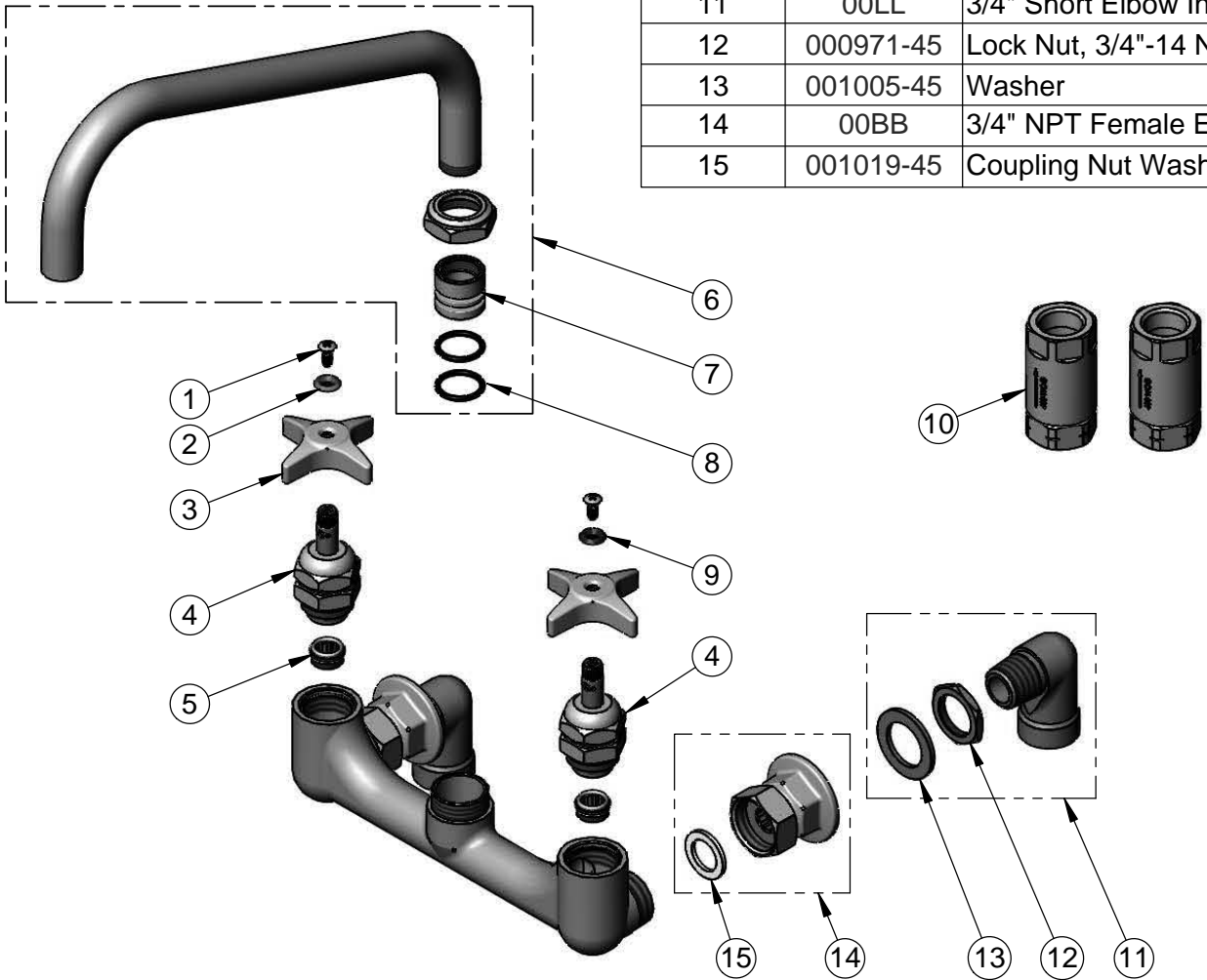
T&S BRASS AND BRONZE WORKS, INC.
 2 Saddleback Cove / P.O. Box 1088
 Travelers Rest, SC 29690

Model No.
B-0290-CVH

Item No.

Travelers Rest, SC: 800-476-4103 • Simi Valley, CA: 800-423-0150 • Fax: 864-834-3518 • www.tsbrass.com

ITEM NO.	SALES NO.	DESCRIPTION
1	000922-45	Lever Handle Screw
2	001661-45	Red Index-HW
3	002521-45	4-Arm Handle
4	006482-40	Big-Flo Cartridge, RTC
5	000764-20	Seat, Big-Flo
6	114X	12" Big-Flo Swing Nozzle
7	000847-20	Big-Flo Swivel Piece
8	001068-45	O-ring
9	001660-45	Blue Index-CW
10	B-CVH3-4	3/4" Check Valve
11	00LL	3/4" Short Elbow Inlet
12	000971-45	Lock Nut, 3/4"-14 NPSM
13	001005-45	Washer
14	00BB	3/4" NPT Female Eccentric Flange
15	001019-45	Coupling Nut Washer



Product Specifications:
 8" Wall Mount Big-Flo Mixing Faucet, Big-Flo Cartridges, 12" Big-Flo Swing Nozzle, 4-Arm Handles, Color Coded Indexes, Check Valves & "00LL" Street Elbows

Product Compliance:
 ASME A112.18.1 / CSA B125.1
 NSF 61 - Section 9
 NSF 372 (Low Lead Content)
 ANSI A117.1 (ADA)