



T&S BRASS AND BRONZE WORKS, INC.

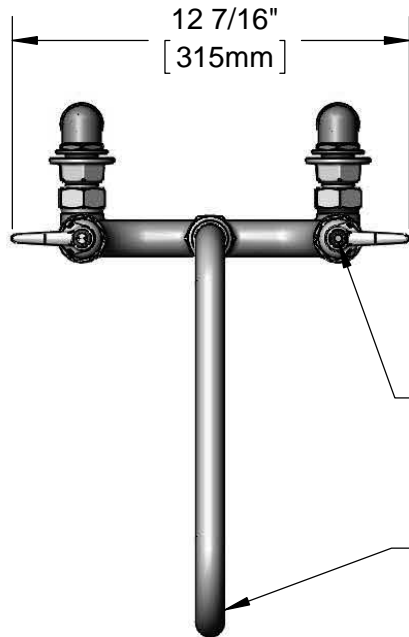
2 Saddleback Cove / P.O. Box 1088
Travelers Rest, SC 29690

Model No.

B-0290-PRISON

Item No.

Travelers Rest, SC: 800-476-4103 • Simi Valley, CA: 800-423-0150 • Fax: 864-834-3518 • www.tsbrass.com



ADA Compliant

This Space for Architect/Engineer Approval

Job Name _____ Date _____

Model Specified _____ Quantity _____

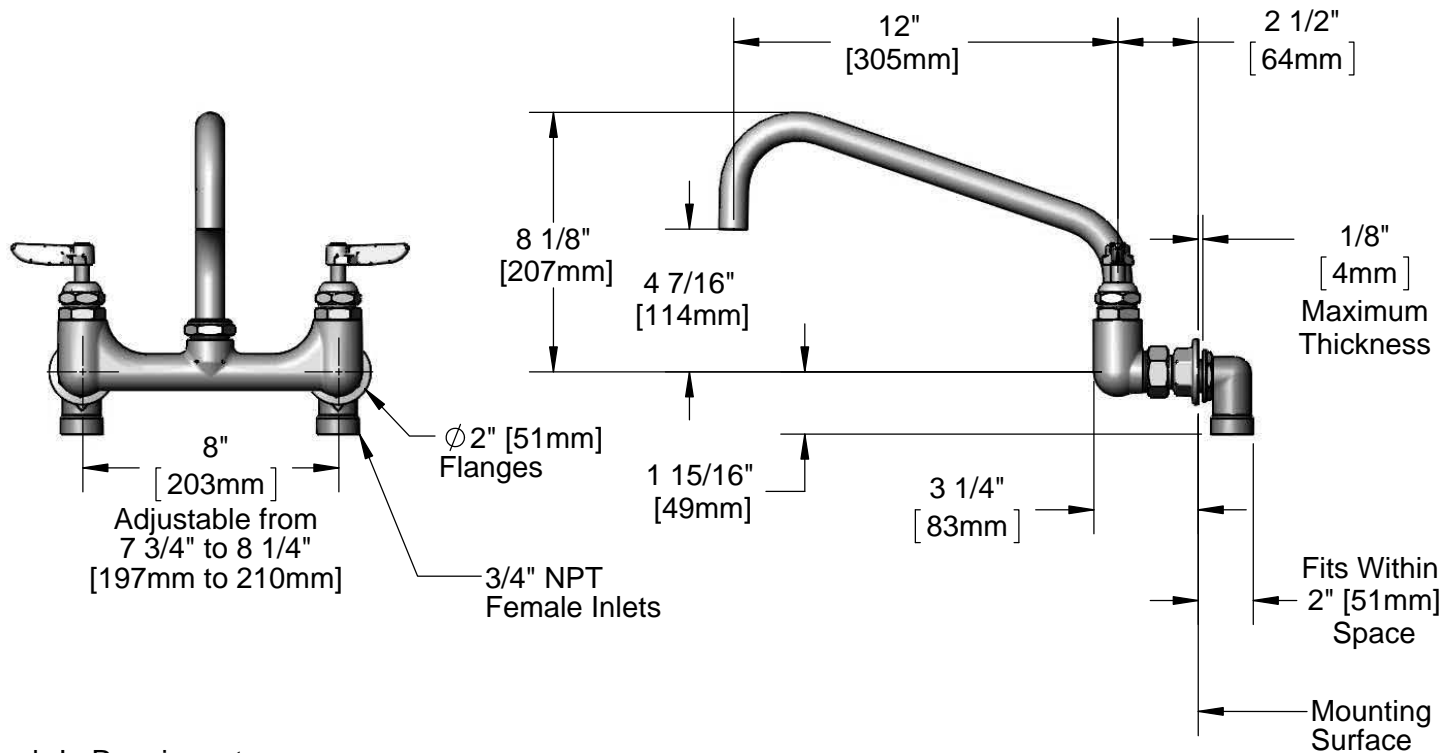
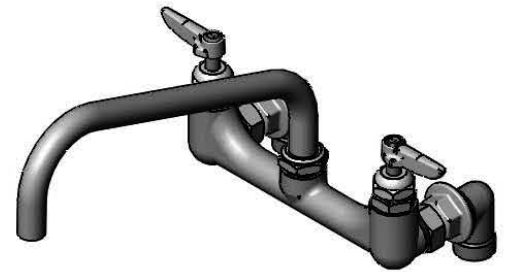
Customer/Wholesaler _____

Contractor _____

Architect/Engineer _____

Solid Brass Chrome Plated
Lever Handles w/ Color
Coded Indexes & Vandal
Resistant Screws

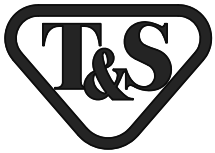
114X
Big-Flo 12" Swing Nozzle
w/ Plain End Outlet



Rough-In Requirement:
(2) ϕ 1 1/4" [32mm] Mounting Holes

Product Specifications:
Kettle & Pot Sink Mixing Faucet w/ Big-Flo 12" Swing Nozzle, Solid Brass Chrome Plated Lever Handles w/ VR Screws, Color Coded Indexes & "OOLL" Street Elbows w/ 3/4" NPT Female Inlets

Product Compliance:
ASME A112.18.1 / CSA B125.1
NSF 61 - Section 9
NSF 372 (Low Lead Content)
ANSI A117.1 (ADA)

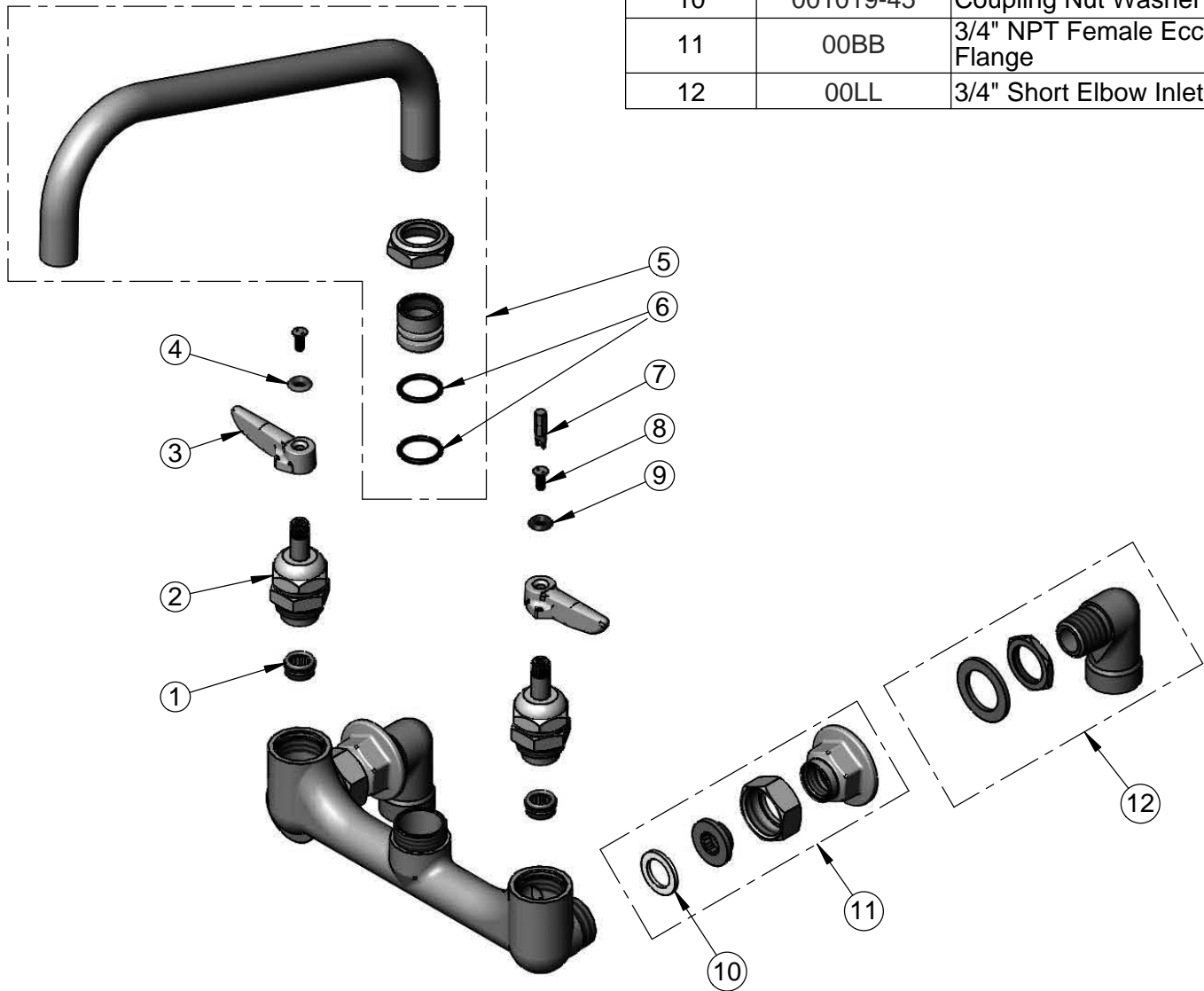


T&S BRASS AND BRONZE WORKS, INC.
 2 Saddleback Cove / P.O. Box 1088
 Travelers Rest, SC 29690

Model No.
B-0290-PRISON
 Item No.

Travelers Rest, SC: 800-476-4103 • Simi Valley, CA: 800-423-0150 • Fax: 864-834-3518 • www.tsbrass.com

ITEM NO.	SALES NO.	DESCRIPTION
1	000764-20	Seat, Big-Flo
2	006482-40	Big-Flo Cartridge, RTC
3	010027-40	Solid Brass Chrome Plated Lever Handle
4	001661-45	Red Index-HW
5	114X	12" Big-Flo Swing Nozzle
6	001068-45	O-ring
7	014075-45	#10 Spanner Bit
8	011755-45	VR Screw
9	001660-45	Blue Index-CW
10	001019-45	Coupling Nut Washer
11	00BB	3/4" NPT Female Eccentric Flange
12	00LL	3/4" Short Elbow Inlet



Product Specifications:
 Kettle & Pot Sink Mixing Faucet w/ Big-Flo 12" Swing Nozzle, Solid Brass Chrome Plated Lever Handles w/ VR Screws, Color Coded Indexes & "00LL" Street Elbows w/ 3/4" NPT Female Inlets

Product Compliance:
 ASME A112.18.1 / CSA B125.1
 NSF 61 - Section 9
 NSF 372 (Low Lead Content)
 ANSI A117.1 (ADA)