



T&S BRASS AND BRONZE WORKS, INC.

2 Saddleback Cove / P.O. Box 1088
Travelers Rest, SC 29690

Model No.

B-0290

Item No.

Travelers Rest, SC: 800-476-4103 • Simi Valley, CA: 800-423-0150 • Fax: 864-834-3518 • www.tsbrass.com



ADA Compliant

This Space for Architect/Engineer Approval

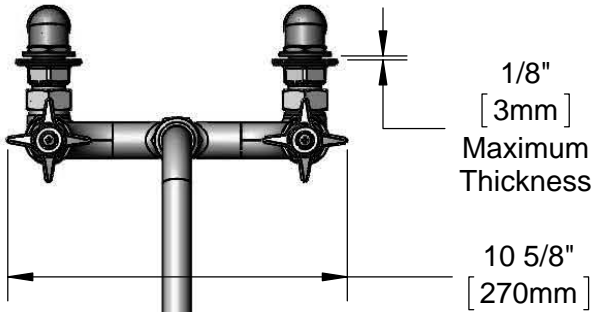
Job Name _____ Date _____

Model Specified _____ Quantity _____

Customer/Wholesaler _____

Contractor _____

Architect/Engineer _____

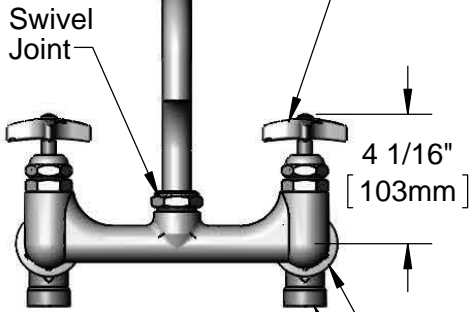
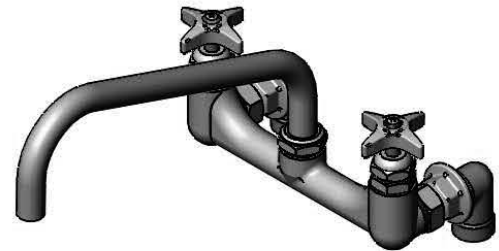


1/8"
[3mm]
Maximum
Thickness

10 5/8"
[270mm]

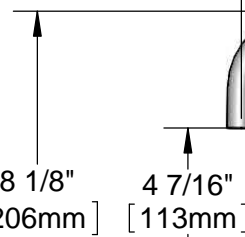
114X
12" Big-Flo Swing Nozzle
w/ Plain End Outlet

Big-Flo Cartridges &
4-Arm Handles w/
Color Coded Indexes



Swivel
Joint

4 1/16"
[103mm]



8 1/8"
[206mm]

4 7/16"
[113mm]

12"
[305mm]

8"
[203mm]
Adjustable from
7 3/4" to 8 1/4"
[197mm to 210mm]

Ø2" [51mm] Flanges

3/4" NPT Female Inlets

1 15/16"
[49mm]

2 1/2"
[64mm]

Fits Within
2" [51mm]
Space

Mounting Surface

Rough-In Requirement:
(2) Ø1 1/4" [32mm] Mounting Holes

Product Specifications:

8" Wall Mount Big-Flo Mixing Faucet, Big-Flo Cartridges, 4-Arm Handles, 12" Big-Flo Swing Nozzle & 3/4" NPT Female Inlets

Product Compliance:

ASME A112.18.1 / CSA B125.1
NSF 61 - Section 9
NSF 372 (Low Lead Content)
ANSI A117.1 (ADA)



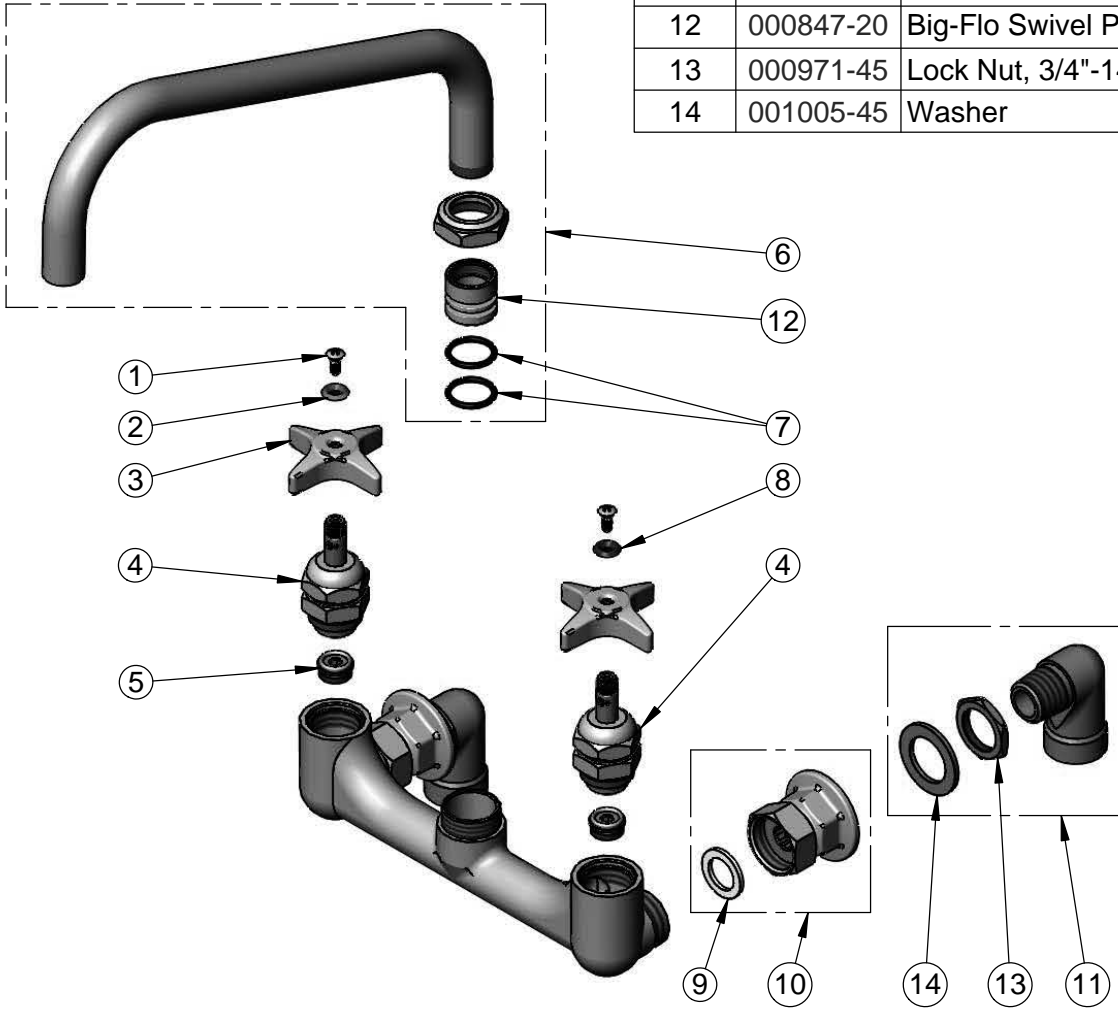
T&S BRASS AND BRONZE WORKS, INC.
 2 Saddleback Cove / P.O. Box 1088
 Travelers Rest, SC 29690

Model No.
B-0290

Item No.

Travelers Rest, SC: 800-476-4103 • Simi Valley, CA: 800-423-0150 • Fax: 864-834-3518 • www.tsbrass.com

ITEM NO.	SALES NO.	DESCRIPTION
1	000922-45	Lever Handle Screw
2	001661-45	Red Index-HW
3	002521-45	4-Arm Handle
4	006482-40	Big-Flo Cartridge, RTC
5	000764-20	Seat, Big-Flo
6	114X	12" Big-Flo Swing Nozzle
7	001068-45	O-ring
8	001660-45	Blue Index-CW
9	001019-45	Coupling Nut Washer
10	00BB	3/4" NPT Female Eccentric Flange
11	00LL	3/4" Short Elbow Inlet
12	000847-20	Big-Flo Swivel Piece
13	000971-45	Lock Nut, 3/4"-14 NPSM
14	001005-45	Washer



Product Specifications:

8" Wall Mount Big-Flo Mixing Faucet, Big-Flo Cartridges, 4-Arm Handles, 12" Big-Flo Swing Nozzle & 3/4" NPT Female Inlets

Product Compliance:

ASME A112.18.1 / CSA B125.1
 NSF 61 - Section 9
 NSF 372 (Low Lead Content)
 ANSI A117.1 (ADA)