



T&S BRASS AND BRONZE WORKS, INC.

2 Saddleback Cove / P.O. Box 1088
Travelers Rest, SC 29690

Model No.

B-0291

Item No.

Travelers Rest, SC: 800-476-4103 • Simi Valley, CA: 800-423-0150 • Fax: 864-834-3518 • www.tsbrass.com



ADA Compliant

This Space for Architect/Engineer Approval

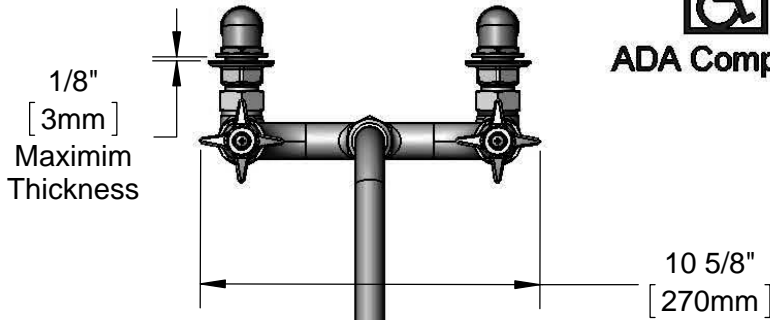
Job Name _____ Date _____

Model Specified _____ Quantity _____

Customer/Wholesaler _____

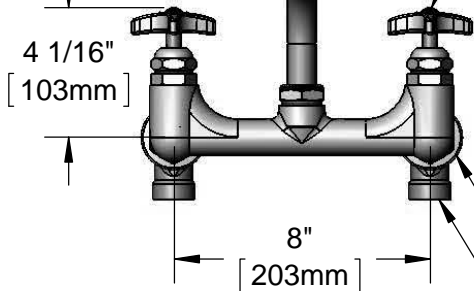
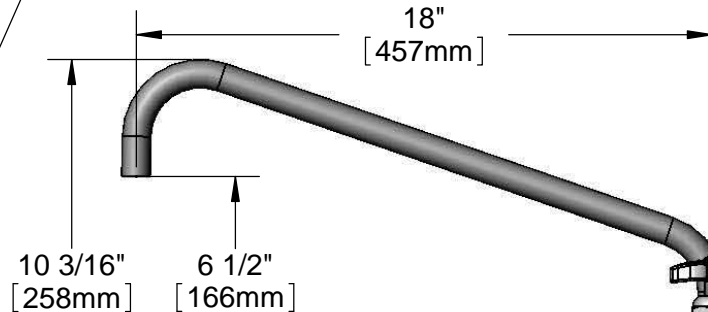
Contractor _____

Architect/Engineer _____



115X
18" Big-Flo Swing
Nozzle w/ Plain End
Outlet

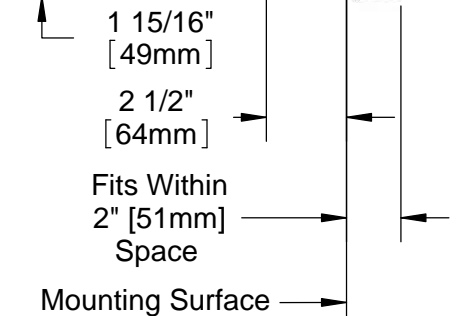
Big-Flo
Cartridges &
4-Arm Handles
w/ Color Coded
Indexes



Adjustable from
7 3/4" to 8 1/4"
[197mm to 210mm]

Ø2" [51mm] Flanges

3/4" NPT Female Inlets



Rough-In Requirement:
(2) Ø1 1/4" [32mm] Mounting Holes

Product Specifications:
8" Wall Mount Big-Flo Mixing Faucet, Big-Flo Cartridges, 4-Arm
Handles, 18" Big-Flo Swing Nozzle & 3/4" NPT Female Inlets

Product Compliance:
ASME A112.18.1 / CSA B125.1
NSF 61 - Section 9
NSF 372 (Low Lead Content)
ANSI A117.1 (ADA)



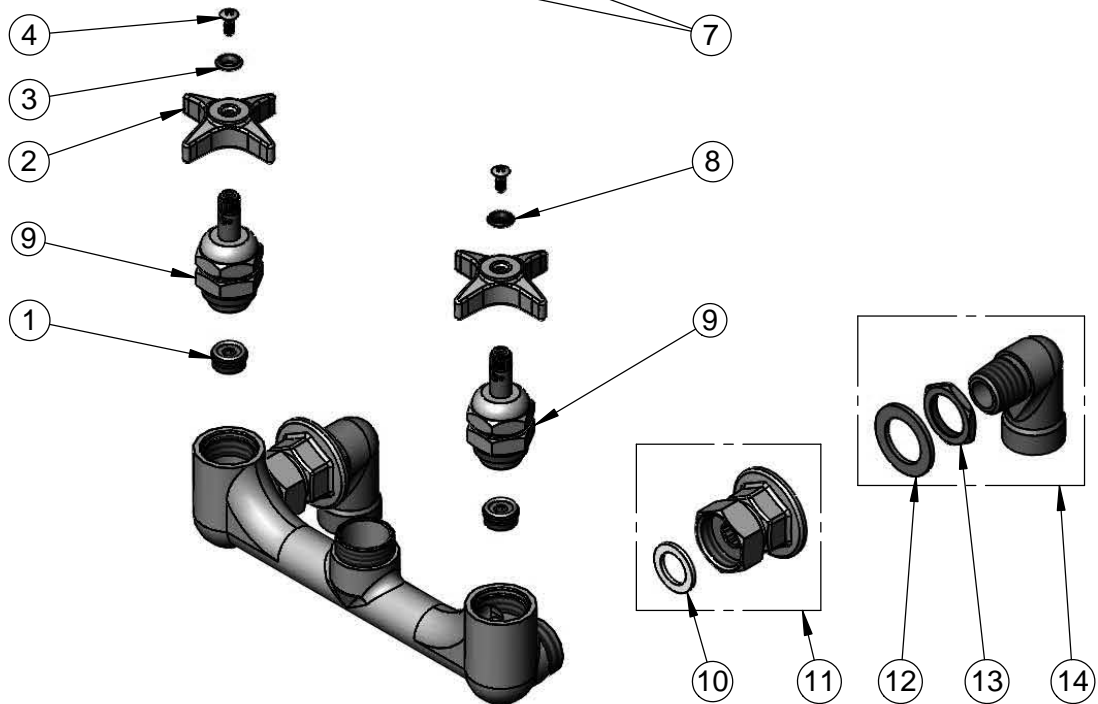
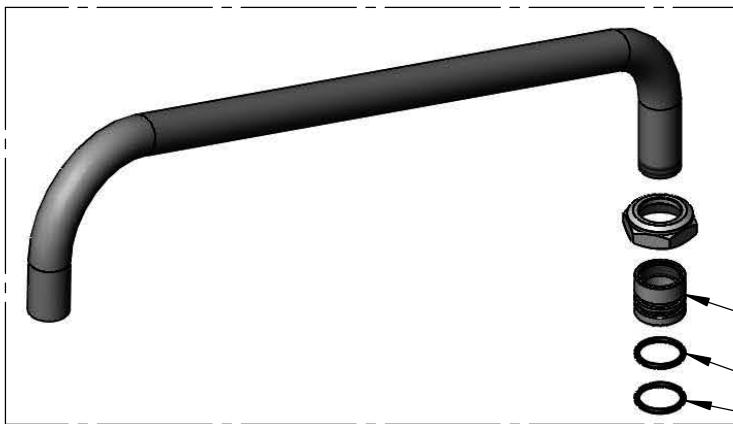
T&S BRASS AND BRONZE WORKS, INC.
 2 Saddleback Cove / P.O. Box 1088
 Travelers Rest, SC 29690

Model No.
B-0291

Item No.

Travelers Rest, SC: 800-476-4103 • Simi Valley, CA: 800-423-0150 • Fax: 864-834-3518 • www.tsbrass.com

| ITEM NO. | SALES NO. | DESCRIPTION |
|----------|-----------|----------------------------------|
| 1 | 000764-20 | Seat, Big-Flo |
| 2 | 002521-45 | 4-Arm Handle |
| 3 | 001661-45 | Red Index-HW |
| 4 | 000922-45 | Lever Handle Screw |
| 5 | 115X | 18" Big-Flo Swing Nozzle |
| 6 | 000847-20 | Big-Flo Swivel Piece |
| 7 | 001068-45 | O-ring |
| 8 | 001660-45 | Blue Index-CW |
| 9 | 006482-40 | Big-Flo Cartridge, RTC |
| 10 | 001019-45 | Coupling Nut Washer |
| 11 | 00BB | 3/4" NPT Female Eccentric Flange |
| 12 | 001005-45 | Washer |
| 13 | 000971-45 | Lock Nut, 3/4"-14 NPSM |
| 14 | 00LL | 3/4" Short Elbow Inlet |



Product Specifications:
 8" Wall Mount Big-Flo Mixing Faucet, Big-Flo Cartridges, 4-Arm Handles, 18" Big-Flo Swing Nozzle & 3/4" NPT Female Inlets

Product Compliance:
 ASME A112.18.1 / CSA B125.1
 NSF 61 - Section 9
 NSF 372 (Low Lead Content)
 ANSI A117.1 (ADA)