



T&S BRASS AND BRONZE WORKS, INC.

2 Saddleback Cove / P.O. Box 1088
Travelers Rest, SC 29690

Model No.

B-0293-01

Item No.

Travelers Rest, SC: 800-476-4103 • Simi Valley, CA: 800-423-0150 • Fax: 864-834-3518 • www.tsbrass.com



ADA Compliant

This Space for Architect/Engineer Approval

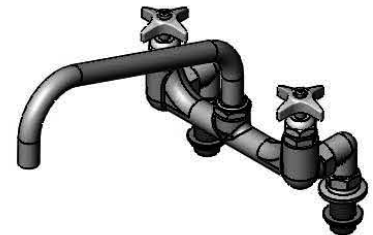
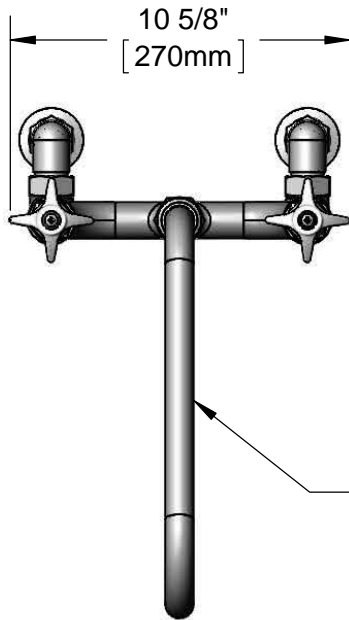
Job Name _____ Date _____

Model Specified _____ Quantity _____

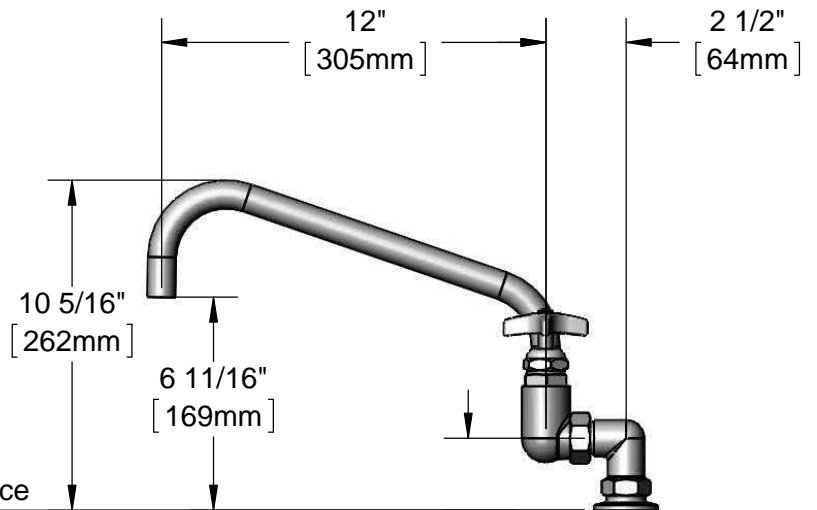
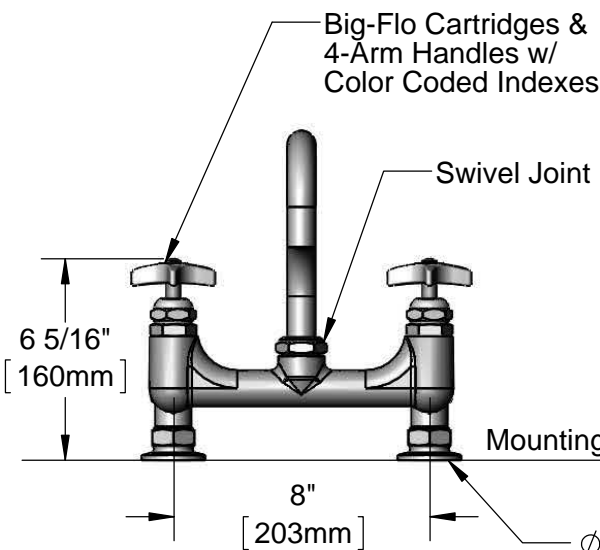
Customer/Wholesaler _____

Contractor _____

Architect/Engineer _____



114X
12" Big-Flo Swing Nozzle
w/ Plain End Outlet



Ø2" [51mm]
Flanges
w/ 3/4" NPT
Female Inlets



(2) B-0427
3/4" NPT Supply Nipples
(Included)

Rough-In Requirement:
(2) Ø1 1/4" [32mm] Mounting Holes

Product Specifications:
8" Deck Mount Big-Flo Mixing Faucet, Big-Flo Cartridges, 4-Arm
Handles, 12" Big-Flo Swing Nozzle & 3/4" NPT Supply Nipples

Product Compliance:
ASME A112.18.1 / CSA B125.1
NSF 61 - Section 9
NSF 372 (Low Lead Content)
ANSI A117.1 (ADA)



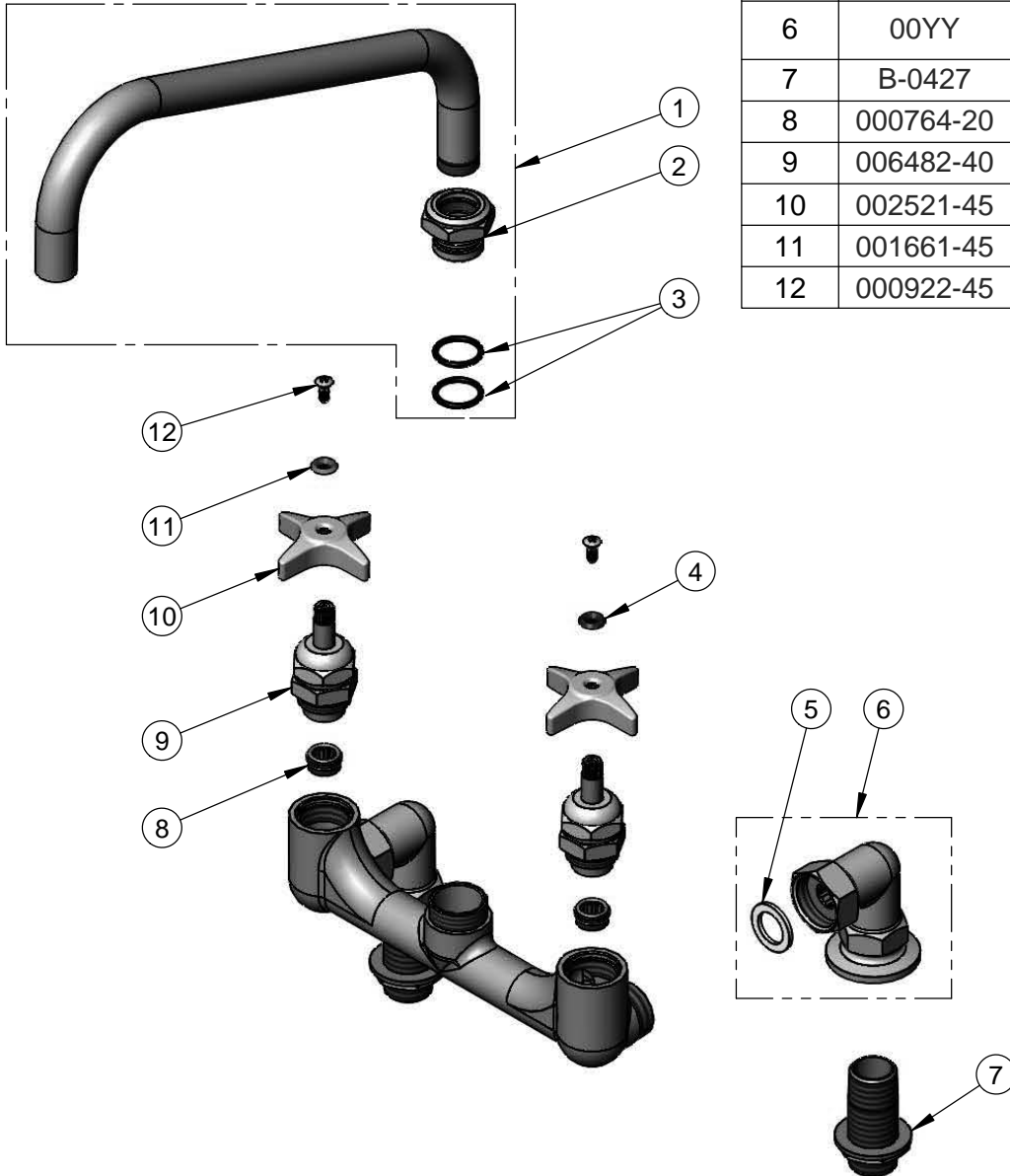
T&S BRASS AND BRONZE WORKS, INC.
 2 Saddleback Cove / P.O. Box 1088
 Travelers Rest, SC 29690

Model No.
B-0293-01

Item No.

Travelers Rest, SC: 800-476-4103 • Simi Valley, CA: 800-423-0150 • Fax: 864-834-3518 • www.tsbrass.com

ITEM NO.	SALES NO.	DESCRIPTION
1	114X	12" Big-Flo Swing Nozzle
2	000847-20	Swivel Piece
3	001068-45	O-ring
4	001660-45	Blue Index-CW
5	001019-45	Coupling Nut Washer
6	00YY	3/4" NPT Female Elbow Flange
7	B-0427	3/4" NPT Supply Nipple Kit
8	000764-20	Seat, Big-Flo
9	006482-40	Big-Flo Cartridge, RTC
10	002521-45	4-Arm Handle
11	001661-45	Red Index-HW
12	000922-45	Lever Handle Screw



Product Specifications:
 8" Deck Mount Big-Flo Mixing Faucet, Big-Flo Cartridges, 4-Arm Handles, 12" Big-Flo Swing Nozzle & 3/4" NPT Supply Nipples

Product Compliance:
 ASME A112.18.1 / CSA B125.1
 NSF 61 - Section 9
 NSF 372 (Low Lead Content)
 ANSI A117.1 (ADA)