



# T&S BRASS AND BRONZE WORKS, INC.

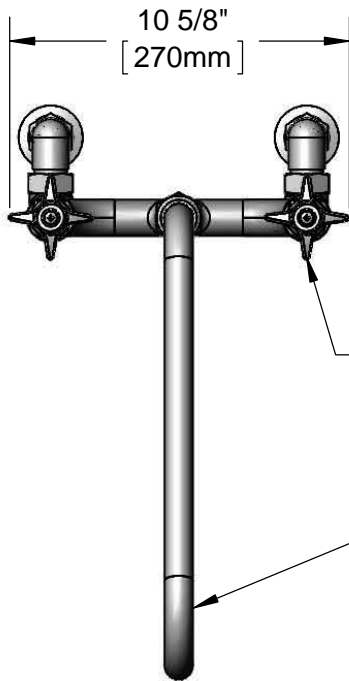
2 Saddleback Cove / P.O. Box 1088  
Travelers Rest, SC 29690

Model No.

**B-0293-14**

Item No.

Travelers Rest, SC: 800-476-4103 • Simi Valley, CA: 800-423-0150 • Fax: 864-834-3518 • www.tsbrass.com



4-Arm Handles w/  
Color Coded Indexes

014662-40  
Big-Flo 14" Swing Nozzle  
w/ Plain End Outlet

This Space for Architect/Engineer Approval

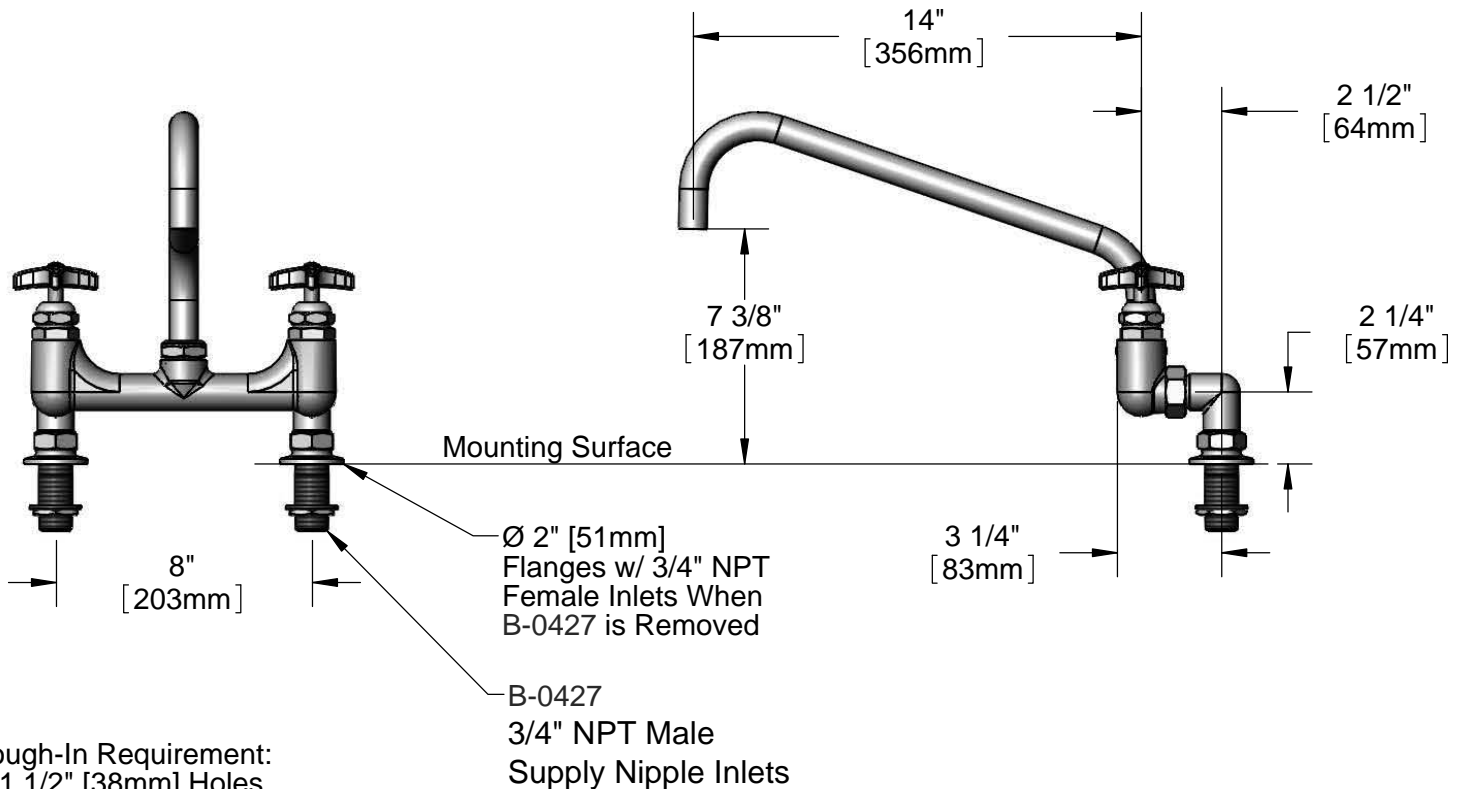
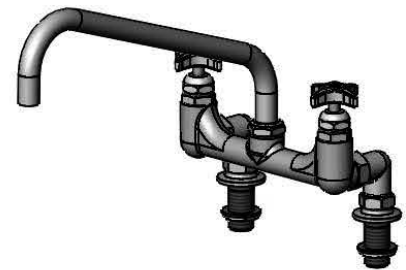
Job Name \_\_\_\_\_ Date \_\_\_\_\_

Model Specified \_\_\_\_\_ Quantity \_\_\_\_\_

Customer/Wholesaler \_\_\_\_\_

Contractor \_\_\_\_\_

Architect/Engineer \_\_\_\_\_



Rough-In Requirement:  
Ø 1 1/2" [38mm] Holes

### Product Specifications:

8" Wall Mount Mixing Faucet w/ Big-Flo 14" Swing Nozzle, 4-Arm Handles & 3/4" NPT Male Supply Nipple Inlets

### Product Compliance:

ASME A112.18.1 / CSA B125.1  
NSF 61 - Section 9  
NSF 372 (Low Lead Content)  
ANSI A117.1 (ADA)



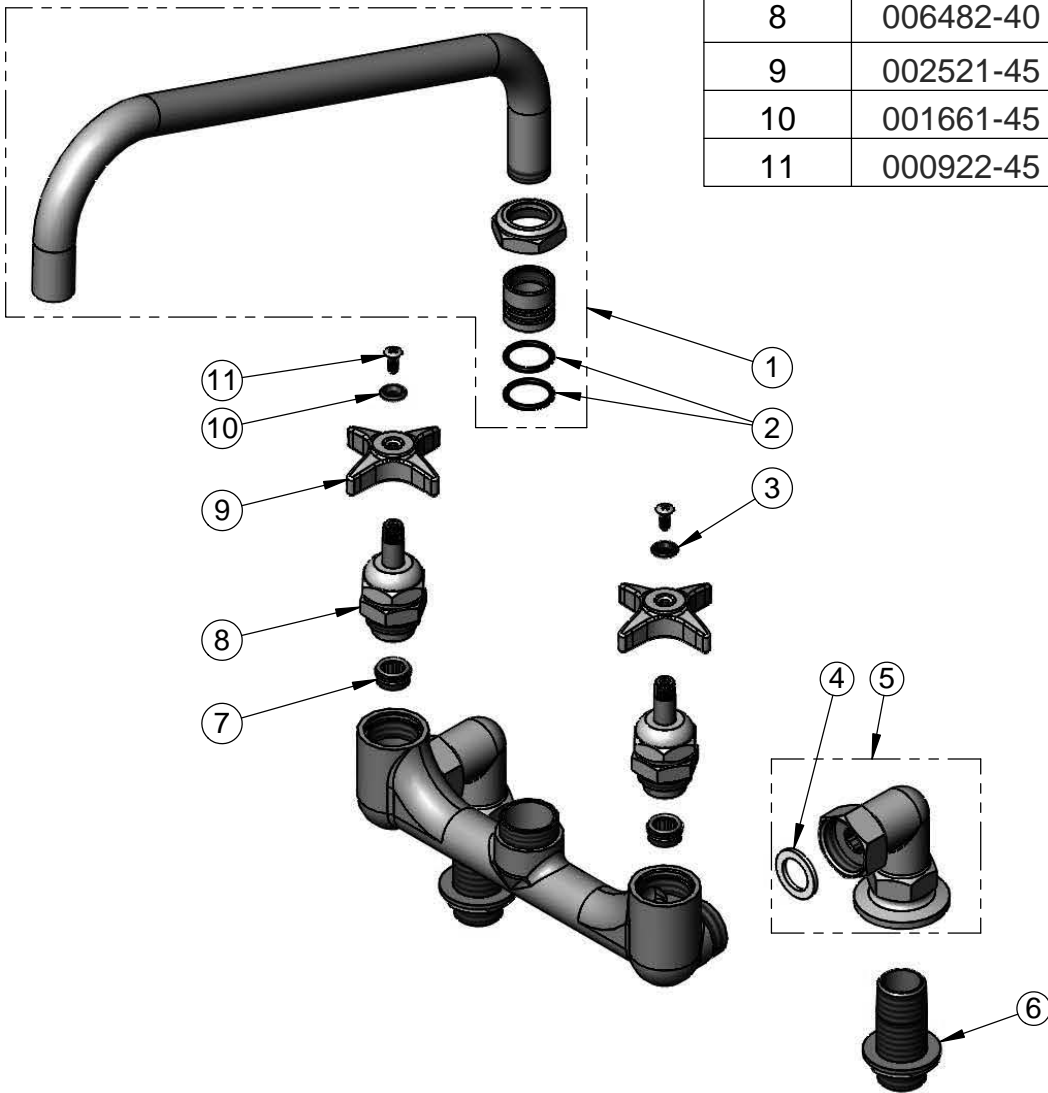
**T&S BRASS AND BRONZE WORKS, INC.**  
 2 Saddleback Cove / P.O. Box 1088  
 Travelers Rest, SC 29690

Model No.  
**B-0293-14**

Item No.

Travelers Rest, SC: 800-476-4103 • Simi Valley, CA: 800-423-0150 • Fax: 864-834-3518 • www.tsbrass.com

ITEM NO.	SALES NO.	DESCRIPTION
1	014462-40	14" Big-Flo Swivel Nozzle
2	001068-45	O-ring
3	001660-45	Blue Index-CW
4	001019-45	Coupling Nut Washer
5	00YY	Elbow Flange Assembly, 3/4" NPT Female
6	B-0427	3/4" NPT Supply Nipple
7	000764-20	Seat, Big-Flo
8	006482-40	Spindle Asm, B-0290 (RH)
9	002521-45	4-Arm Handle
10	001661-45	Red Index-HW
11	000922-45	Lever Handle Screw



**Product Specifications:**  
 8" Wall Mount Mixing Faucet w/ Big-Flo 14" Swing Nozzle, 4-Arm Handles & 3/4" NPT Male Supply Nipple Inlets

**Product Compliance:**  
 ASME A112.18.1 / CSA B125.1  
 NSF 61 - Section 9  
 NSF 372 (Low Lead Content)  
 ANSI A117.1 (ADA)